



Mantel Collection Standard & Profile

Cherry Standard Corner Mantel shown with Breckenridge Premium 32 Firebox with Matte Black Frame, Louvers, and Hood shown with optional Matte Black Door Frame and Arch Doors



White Mountain Hearth - The Pinnacle of Efficiency

The Start of a Great Mantel



Our dark oak finish adds a touch of formality and warmth and makes your fireplace the focal point of any room.

Empire Comfort Systems proudly introduces the White Mountain Hearth collection of Mantels.

Empire's craftsmen (and women) build each mantel from 3/4-inch fine-furniture grade cabinetry components, including MDF wrapped in select hardwood veneers. Because this natural wood can vary in appearance, we grain-matched the components for each mantel, to ensure you get a great looking mantel.

Each mantel is detailed in matching solid wood trim – in oak or poplar. The full 3/4-inch cove moldings and edge trim add structural integrity. Matching decorative trim pieces – in complementary sizes – add beauty and character.

Special tooling and a controlled environment allow our craftsmen to assemble your mantel with greater precision and tighter joints than all but the most skilled custom woodworkers can achieve.



Furniture-grade cabinetry components and 3/4-inch real wood moldings ensure lasting beauty

The Perfect Finish

White Mountain Hearth mantels are hand sprayed and then hand rubbed with specially formulated finishes that are more durable and more uniform than brush-on finishes. All the components for your mantel are finished at the same time, by the same craftsman, using the same batch of finish.

Oak-trimmed mantels can be ordered in traditional dark oak or with a light oak finish perfect for modern, airy spaces. Our warm, rich cherry finish – applied over our hardwood veneer and solid wood trim mantel – brings out every detail in the wood grain and molding.

Many designers prefer our cherry or nutmeg finishes for their ability to “color” a room and adapt to changing light.

Our versatile white finish – also applied over our hardwood veneer and solid wood trim mantel – acts as the perfect artist’s pallet for modern and traditional settings. Use accent colors and fireplace trim to make your fireplace suit the season or your mood.

For custom installations consider our unfinished oak and unfinished hardwood mantels. Hardwood mantels are crafted from fine-grain poplar veneers with poplar trim. They are stainable, not just paint-grade.



Cherry



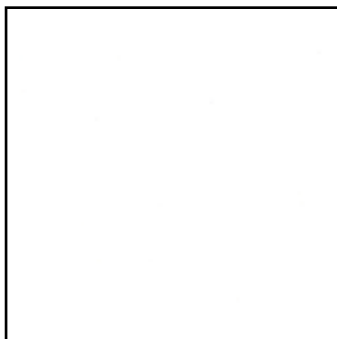
Dark Oak



Nutmeg



Oak



White



Primed



Unfinished Hardwood



Unfinished Oak



Standard cabinet mantel finished in Oak. Shown with Breckenridge Premium 36 Firebox with Matte Black Decorative Doors and Hammered Pewter Mission Louvers and Outer Frame.

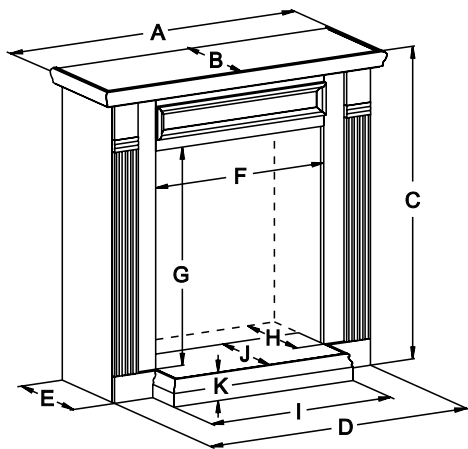
Standard Cabinet and Corner Cabinet Mantels

- ***Available in Cabinet Mantels and Corner Cabinet Mantels in 32-inch, 36-inch, and 42-inch***
- ***Compact Design***
- ***Built-in Base***
- ***Fits White Mountain Hearth Fireplaces without Modification***

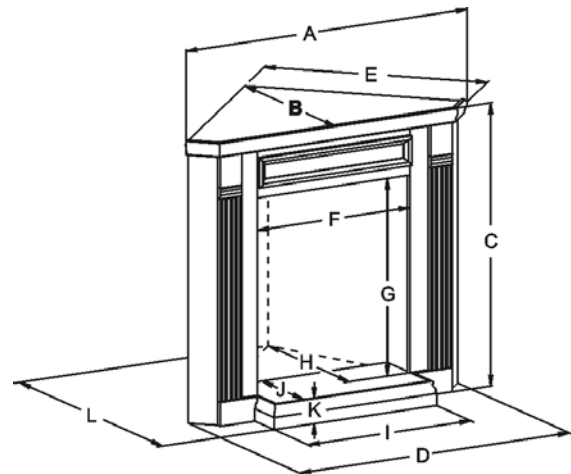
Standard Mantel Dimensions

Standard	A	B	C	D	E	F	G	H	I	J	K	L	Fits
Full													
EMF-22	38 3/8	13 1/4	38 1/2	35	12 3/8	23	26 3/4	11 3/4	24 1/2	17 3/8	3 1/4		VF24FP
EMBF-1S	56 3/4	22 1/4	51 3/8	49	19 1/8	34 1/2	33 3/4	18 1/2	38 1/2	22 1/2	3 1/4		VFD32FB/DVD32FP/VFP32FP
EMBF-2S	60 3/4	22 1/4	51 3/8	53	19 1/8	38 1/2	33 3/4	18 1/2	42 1/2	22 1/2	3 1/4		DVD36FP
EMBF-3S	62 3/4	25 3/4	53 3/8	55	22 5/8	40 1/2	35 3/4	22	44 1/2	22 1/2	3 1/4		VFD36FB/DVP36FP
EMBF-4S	66 3/4	25 3/4	53 3/8	59	22 5/8	44 1/2	35 3/4	22	48 1/2	22 1/2	3 1/4		VFD42FB/DVD42FP/DVP42FP
EMBF-5S	56 3/4	27 3/4	56 5/8	49	24 5/8	34 1/2	39	24	38 1/2	22 1/2	3 1/4		VFP32FB/VFS32FB
EMBF-6S	62 3/4	27 3/4	56 5/8	55	24 5/8	40 1/2	39	24	44 1/2	22 1/2	3 1/4		VFP36FB/VFS36FB
EMBF-7S	66 3/4	27 3/4	56 5/8	59	24 5/8	44 1/2	39	24	48 1/2	22 1/2	3 1/4		VFP42FB/VFS42FB
EMBF-8S	62 3/4	22 1/4	53 3/8	55	19 1/8	40 1/2	35 3/4	18 1/2	44 1/2	22 1/2	3 1/4		VFP36FP
EMBF-9S	55	27 3/4	47	47 1/2	24 3/4	33	26 1/2	24	34 3/4	23 7/8	3 1/4		Mantis
EMBF-11S	45 3/8	17 1/4	41	39 1/2	14 5/8	30	30 1/2	14	41	16 1/4	3 1/4		VFD26FP
Corner													
EMC-22	42 1/2	24 5/8	38 1/2	40 5/8	30 1/8	23	26 3/4	23 1/4	24 1/2	11 7/8	3 1/4	28 7/8	VF24FP
EMBC-1S	63	37 1/4	51 3/8	57 3/4	44 1/2	34 1/2	33 3/4	33 1/2	38 1/2	20 3/4	3 1/4	40	VFD32FB/DVD32FP/VFP32FP
EMBC-2S	67	39 1/4	51 3/8	61 3/4	47 3/8	38 1/2	33 3/4	35 1/2	42 1/2	20 3/4	3 1/4	42	DVD36FP
EMBC-3S	69	40 1/4	53 3/8	63 3/4	48 3/4	40 1/2	35 3/4	36 1/2	44 1/2	20 3/4	3 1/4	43	VFD36FB/DVP36FP
EMBC-4S	73	42 1/4	53 3/8	67 3/4	51 5/8	44 1/2	35 3/4	38 1/2	48 1/2	20 3/4	3 1/4	45	VFD42FB/DVD42FP/DVP42FP
EMBC-5S	66 3/8	40 3/4	56 5/8	61 1/4	47	34 1/2	39	37	38 1/2	20 3/4	3 1/4	43 5/8	VFP32FB/VFS32FB
EMBC-6S	72 3/8	43 3/4	56 5/8	67 1/4	51 1/4	40 1/2	39	40	44 1/2	20 3/4	3 1/4	46 5/8	VFP36FB/VFS36FB
EMBC-7S	76 3/8	45 3/4	56 5/8	71 1/4	54 1/8	44 1/2	39	42	48 1/2	20 3/4	3 1/4	48 5/8	VFP42FB/VFS42FB
EMBC-8S	69	40 1/4	53 3/8	63 3/4	48 3/4	40 1/2	35 3/4	36 1/2	44 1/2	20 3/4	3 1/4	43	VFP36FP
EMBC-9S	63 7/8	37 3/4	47	58 1/4	45 1/8	33	26 1/2	33 3/4	34 3/4	23 7/8	3 1/4	41 3/4	Mantis
EMBC-11S	53 5/8	32 5/8	41	49 7/8	38	31	30 1/2	30 1/4	41	16 5/8	3 1/4	33 7/8	VFD26FP

EMBF & EMF



EMBC & EMC





Profile mantel shown with a White Mountain Hearth Deluxe 36 Direct-Vent Fireplace trimmed in hammered pewter decorative frame, and matte black doors and outer frame.

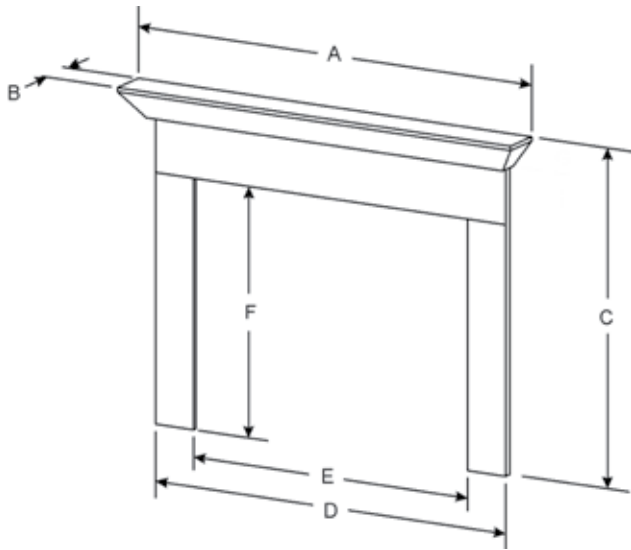
Profile Series Mantels and Mantelshelves

- ***Flush Mantels in 48-inch and 52-inch and Mantelshelves in 48-inch, 60-inch and 72-inch***
- ***Requires Tile, Stone, or Other Noncombustible Surround***
- ***Ideal for New Construction and Remodeling***
- ***Primed or Unfinished Hardwood***
- ***Install As Is or Add Your Own Decorative Wood Details - Roping, Moldings, Appliqués***
- ***Add Plinths for a Taller Mantel or Cut the Pilasters for a Shorter Mantel***

Profile Mantels and Mantelshelves

Profile Mantel Dimensions (in inches)

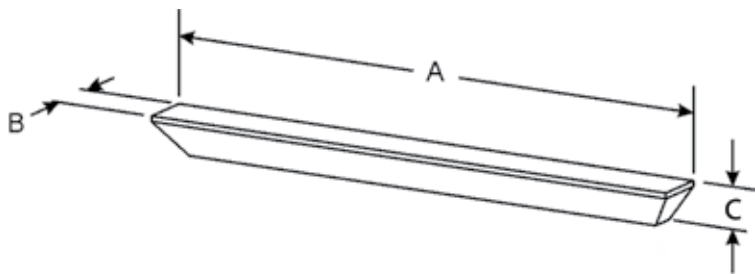
Model	A	B	C	D	E	E with trim	F	F with trim
MFL-48	72 1/2	6 5/8	54 1/4	60 1/2	46 3/4	48	39 5/8	52
MFL-52	71 1/2	6 5/8	56 1/4	64 1/2	50 3/4	52	41 5/8	42



All Profile mantelshelves ship unfinished or primed. Shown in custom finish with White Mountain Hearth Deluxe 32 Direct-Vent Fireplace with Brass Decorative Louvers and Outer Frame

Profile Mantelshelf Dimensions (in inches)

Model	A	B	C
MS-48	48 1/2	6 5/8	5 1/4
MS-60	60 1/2	6 5/8	5 1/4
MS-72	72 1/2	6 5/8	5 1/4



All Profile mantelshelves ship unfinished or primed. Shown in custom cherry finish with White Mountain Hearth Studio Series Premium 36 Direct-Vent Fireplace with Mission Decorative Front and Doors in Copper Metallic.



Custom "Eurostyle" mantel in maple finish with Deluxe 36-inch Direct-Vent Fireplace trimmed in Stainless Steel Outer Frame, Stainless Steel Window Trim and Stainless Steel Mission Louvers.



Custom Profile Mantel with Upper Tier

Our Mantels, Built to Your Specifications

- **Quotes in 5 days**
- **Delivery in 10 days**
- **Competitive Pricing** (Requires Minimum Quantity Order)

Our custom mantels let you match the style, moldings, materials, and finishes to your home's décor – whether you need flush, full, or corner mantels, or mantelshelves. Our mantel shop uses the same precision cutting and assembly techniques that ensure exceptional fit and finish on our manufactured mantels.

Call for details 800-851-3153



Custom Profile mantel with applique show with custom paint and Deluxe 36-inch Direct-Vent Fireplace

Member of the following industry associations:



The appliances shown are design-certified to the ANSI standard by:



Empire Comfort Systems is committed to continuous product improvement; specifications are subject to change without notice. Flame size, shape, and color will vary from photos. Our mantels feature natural veneers and hand-rubbed finishes - wood grain and color will vary. Adjust light levels and use "natural light" incandescent bulbs to enhance the dramatic look for your wooden mantel.

EMPIRE
COMFORT SYSTEMS
918 Freeburg Ave.
Belleville, IL 62222-2623
e-mail: info@empirecomfort.com

WMH-00050 3/29/10