

MANTEL ASSEMBLY INSTRUCTIONS

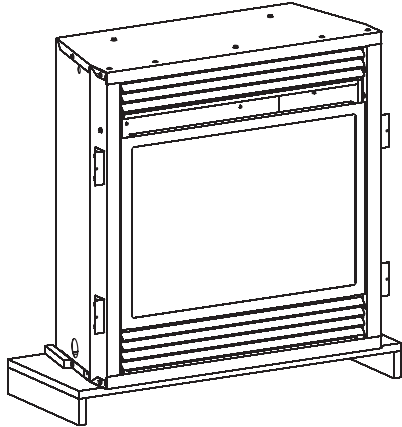
EMBF11S SERIES

FULL CABINET MANTEL

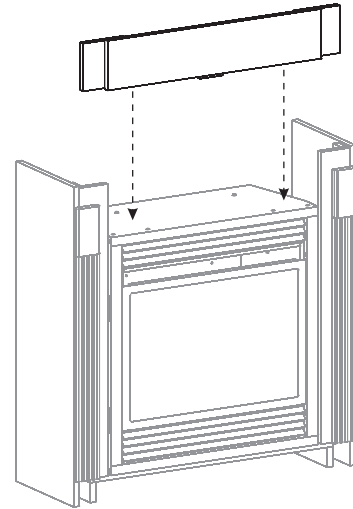
EFFECTIVE DATE MAY 2007

INSTRUCTIONS MUST BE LEFT WITH THE OWNER FOR FUTURE REFERENCE AFTER INSTALLATION.

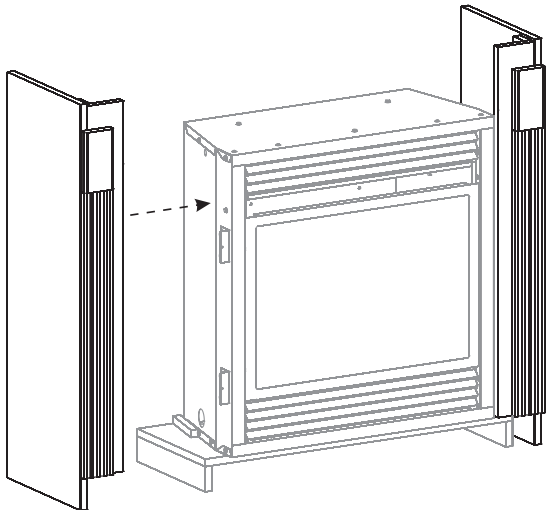
1. Place back base in desired location. Place fireplace on base and route gas line to fireplace.



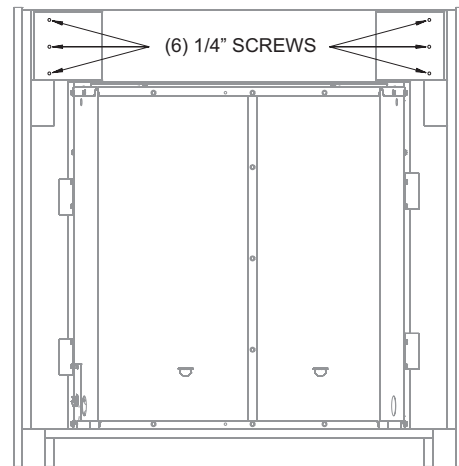
3. Position breastboard assembly to the front of left side assembly and right side assembly.



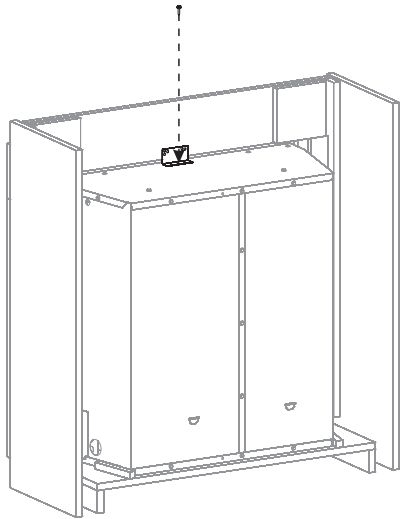
2. Position left side assembly and right side assembly against base.



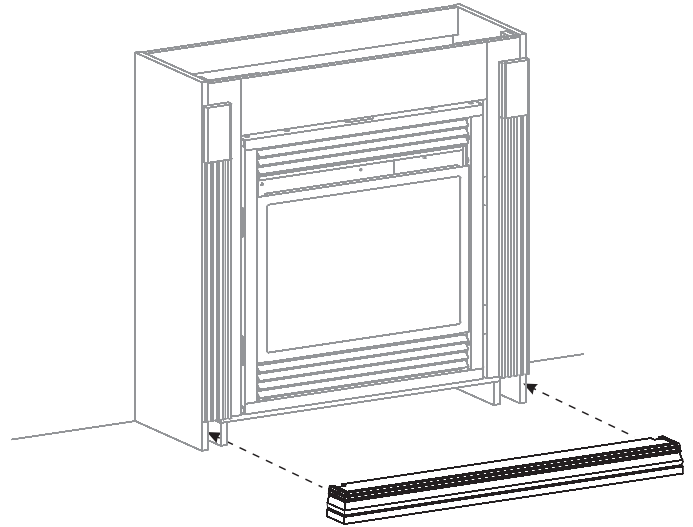
4. Use six (6) 1 1/4" screws to attach breastboard assembly to left side assembly and right side assembly.



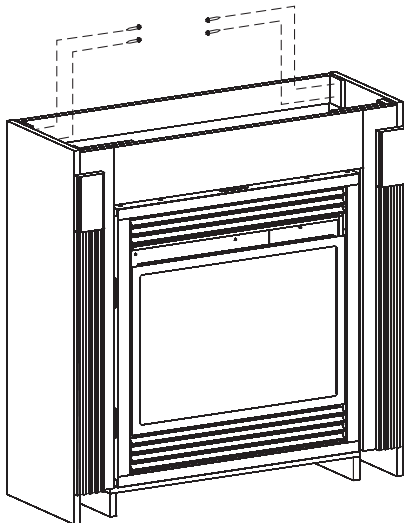
5. Attach "L Bracket" to top of firebox to secure mantel to firebox.



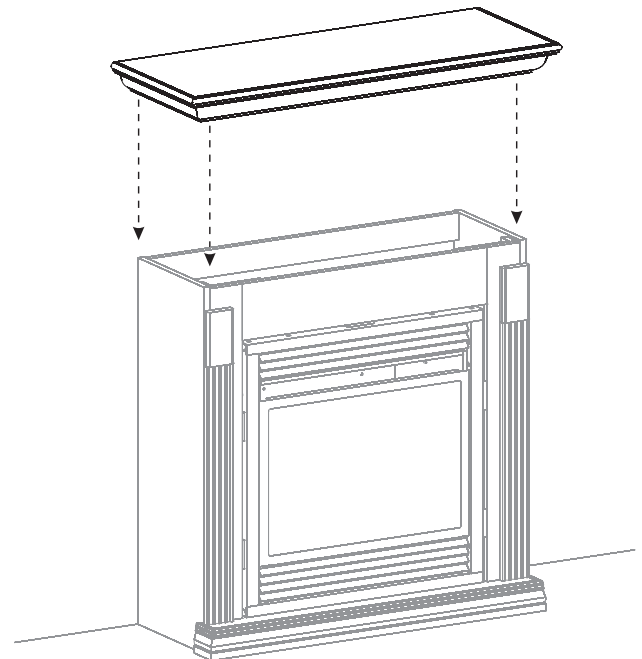
8. Slide short base under front of mantel assembly.



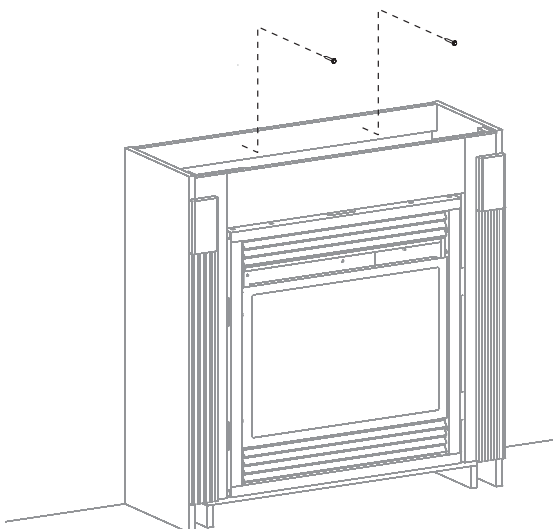
6. Attach back plate to left and right side assemblies through the predrilled holes using the four (4) screws provided, two screws per side.



9. Place mantel top onto mantel assembly.



7. Attach unit to studs in the wall through the "back plate" using two 2 1/2" drywall screws provided.



10. Install mantel trim.

11. Install fiber logs per the Log Placement section in the Installation Instructions included with your fireplace unit.