

**DESIGNER FRONT KITS WITH OPTIONAL DECORATIVE DOORS
FOR USE WITH DESIGNER SERIES FIREPLACES ONLY**

Designer Front Kits

DCF36B(FB,CM,HP)-1

DCF42B(FB,CM,HP)-1

DCF36T(FB,CM,HP)-1

DCF42T(FB,CM,HP)-1

DCF36A(FB,CM,HP)-1

DCF42A(FB,CM,HP)-1

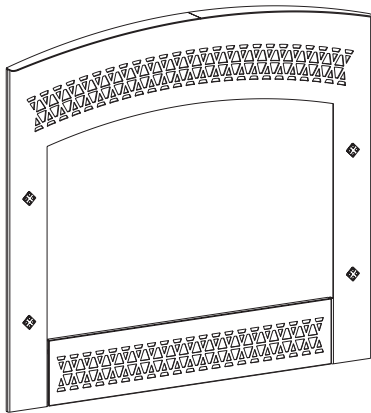
Decorative Door Kits

DCD36M(FB,CM,HP)-1

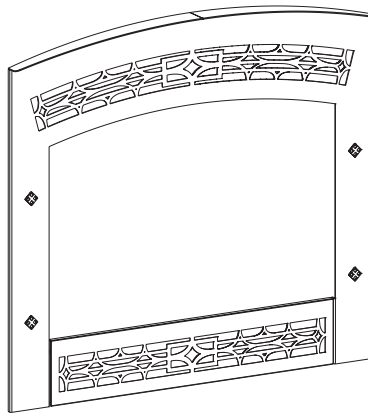
DCD42M(FB,CM,HP)-1

DCD36A(FB,CM,HP)-1

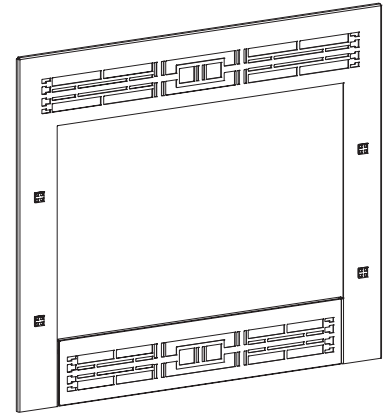
DCD42A(FB,CM,HP)-1



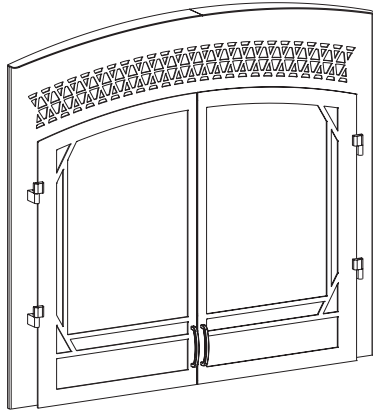
Braided Arch Front



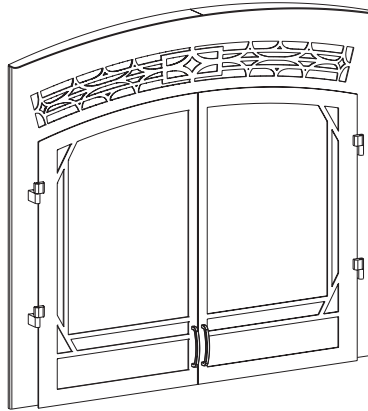
Tiffany Arch Front



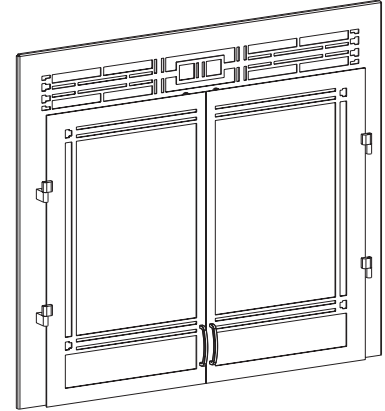
Arts & Crafts Front



**Braided Arch Front with
Marquis Doors**



**Tiffany Arch Front with
Marquis Doors**



Arts & Crafts Front and Doors

INSTRUCTIONS MUST BE LEFT WITH THE OWNER FOR FUTURE REFERENCE AFTER INSTALLATION.

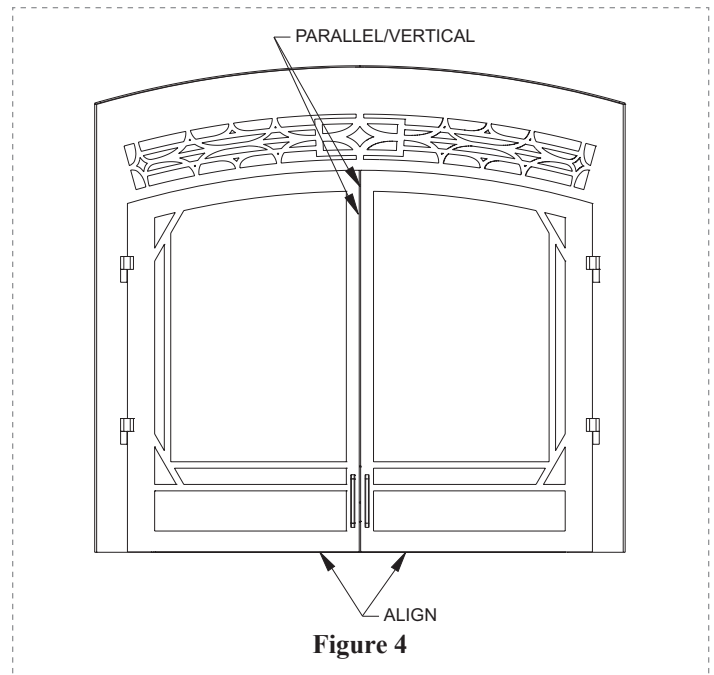
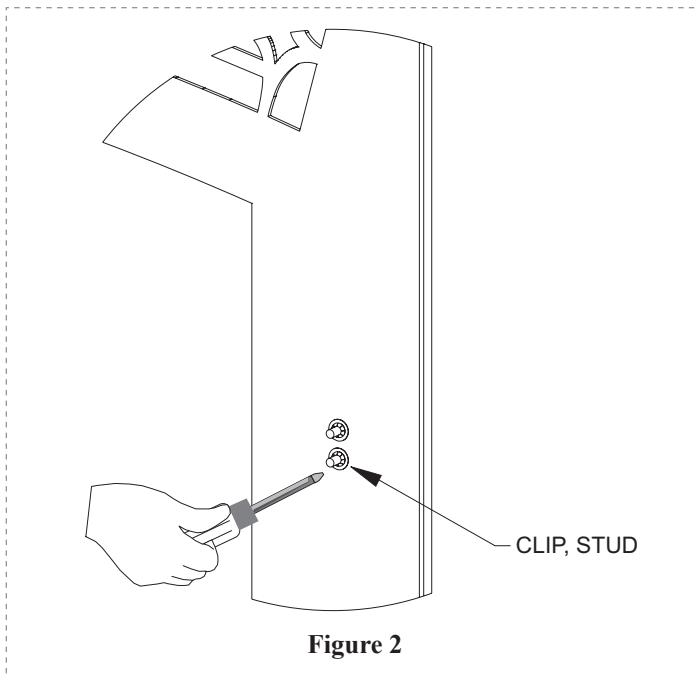
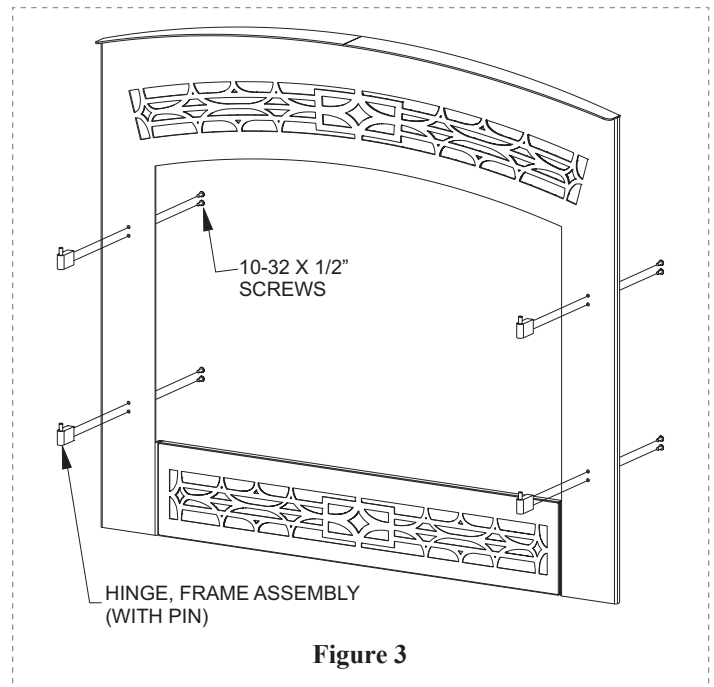
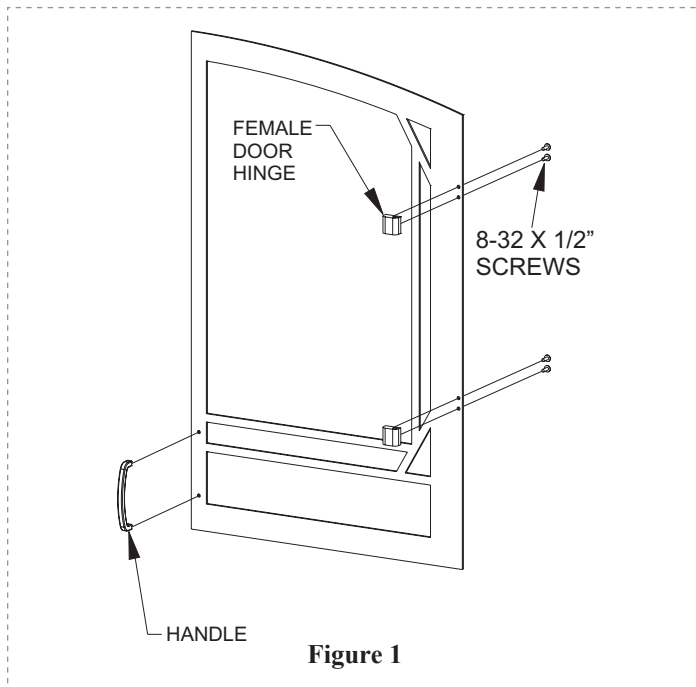
TABLE OF CONTENTS

Installation of Doors and Frame	2 - 4
---------------------------------------	-------

ATTENTION: Remove plastic tie from each decorative door/screen assembly. Discard plastic tie.

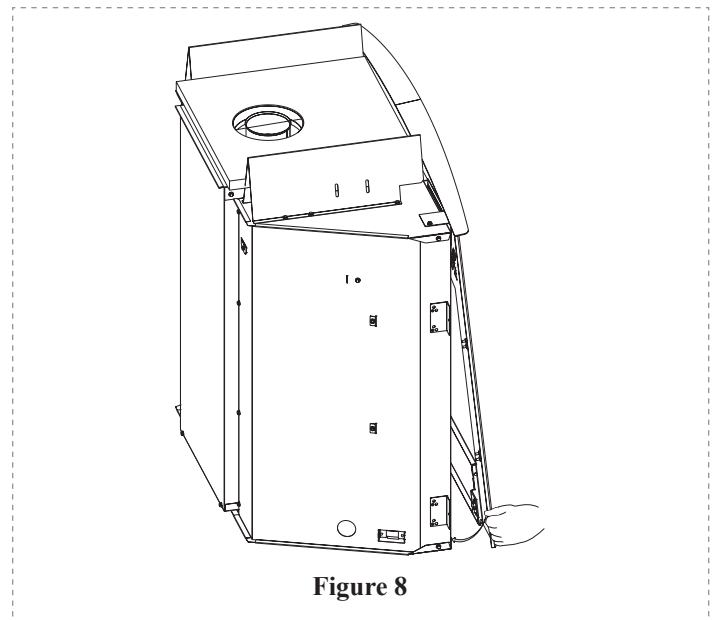
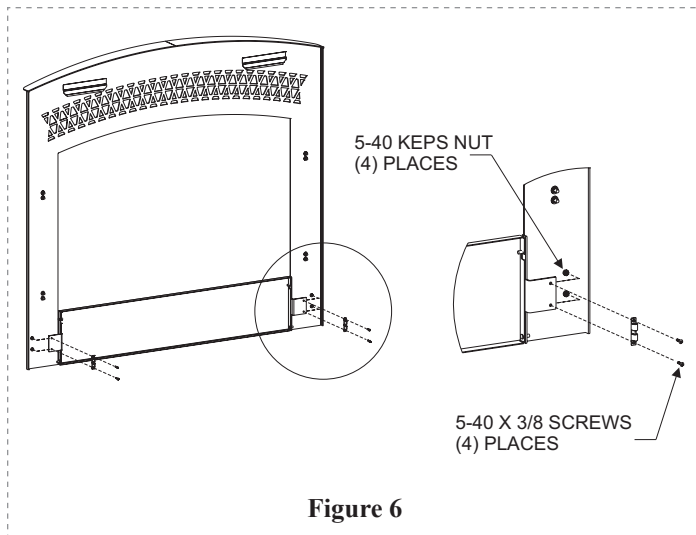
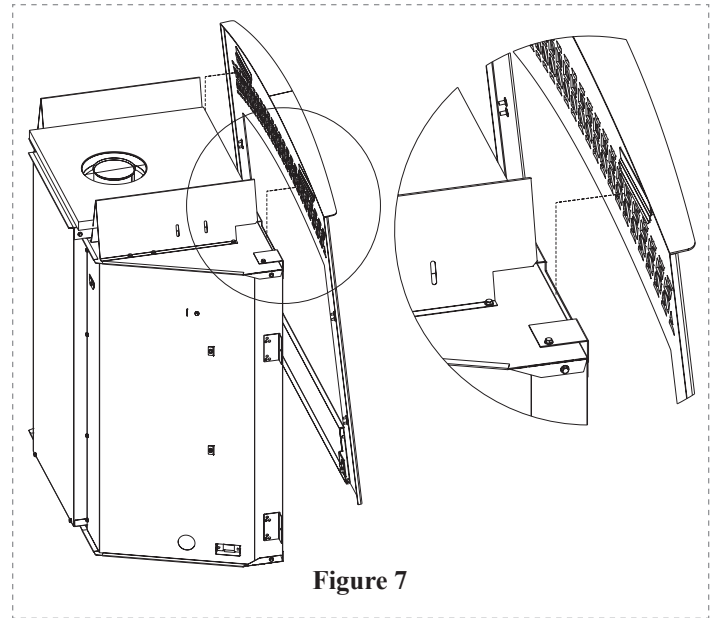
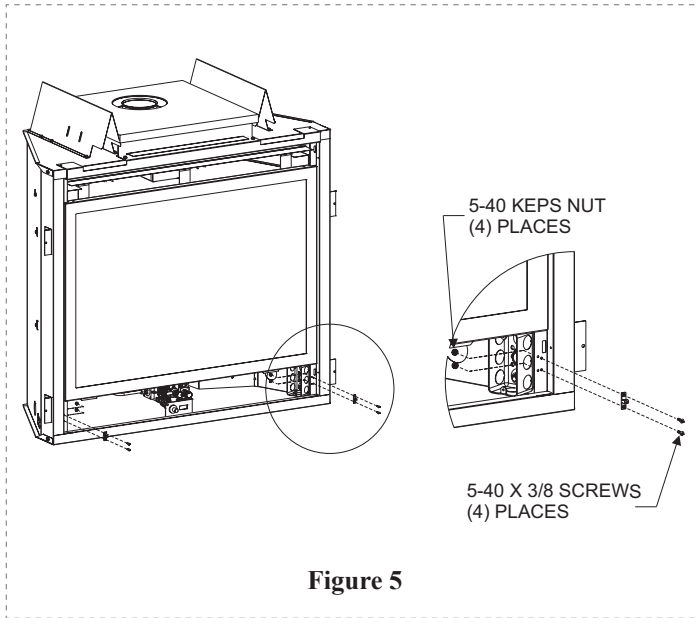
IDENTIFYING PARTS: Male hinge has a pin which will be inserted into hole in Female hinge.

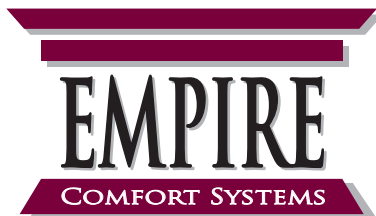
1. Position Female Hinge against front face of door, not against screen. When positioned correctly a portion of Hinge will be offset $7/16$ " from the edge of the door. Attach each Female Hinge to door with two (2) 8-32 x $1/2$ " screws. See Figure 1.
2. Position handle against front face of door, not against screen. Attach handle to door with two (2) 8-32 x $1/2$ " screws.
3. Remove appliques from decorative front by removing clips from posts behind decorative front. See Figure 2.
4. Position Male Hinge against decorative front with pin facing upward. Secure the hinge to frame with (2) 10-32 x $1/2$ " screws each. Do not fully tighten. Secure three (3) additional Male Hinges to decorative front. See Figure 3.
5. With frame in a vertical position, pre-install the right and left decorative doors by aligning the holes in the Female Hinges to pins on Male Hinges. Then slide doors downward onto the pins.
6. Align and plumb decorative doors. At this time fully tighten screws on hinge frame-mounts. See Figure 4.
7. Remove decorative hinged doors from decorative front and set aside.



For DV Series Fireplaces:

- Attach ball clasp from hardware pack to holes in front lower portion with #5-40 bolts and #5-40 keps nuts. See Figures 5 and 6.
- Slide decorative front onto mounting brace located front, upper portion. Mounting brackets on decorative front will help align front to fireplace. See Figure 7. Be sure to lower portion of front is away from the fireplace to avoid damage to fireplace from ball catch.
- Secure front by gently applying pressure to the lower outside portion of the decorative front. See Figure 8.
- Replace hinged decorative doors onto frame (as in step 5).
- Installation of decorative doors with decorative frame is completed.





Empire Comfort Systems Inc.
918 Freeburg Ave. Belleville, IL 62220

If you have a general question about our products, please e-mail us at
info@empirecomfort.com.

If you have a service or repair question, please contact your dealer.

www.empirecomfort.com