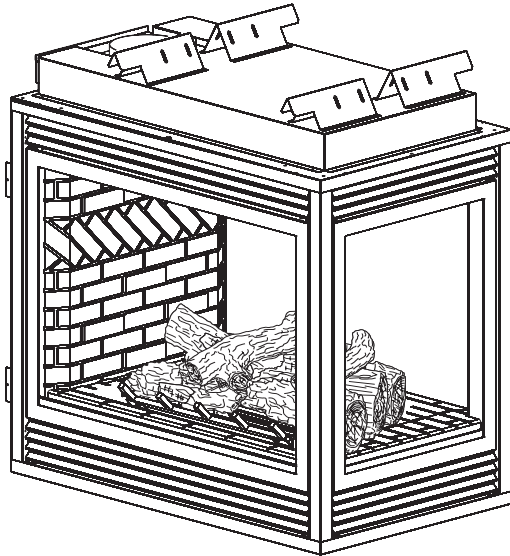


INSTALLATION INSTRUCTIONS AND OWNER'S MANUAL



LOG SET FOR DIRECT VENT MULTI-SIDED GAS FIREPLACE

MODELS

LSU24RR-2

GAS-FIRED



WARNING



**HOT GLASS WILL
CAUSE BURNS.
DO NOT TOUCH GLASS
UNTIL COOLED.
NEVER ALLOW CHILDREN
TO TOUCH GLASS.**

WARNING: If the information in these instructions are not followed exactly, a fire or explosion may result causing property damage, personal injury or loss of life.

- Do not store or use gasoline or other flammable vapors and liquids in the vicinity of this or any other appliance.
- **WHAT TO DO IF YOU SMELL GAS**
 - Do not try to light any appliance.
 - Do not touch any electrical switch; do not use any phone in your building.
 - Immediately call your gas supplier from a neighbor's phone. Follow the gas supplier's instructions.
 - If you cannot reach your gas supplier, call the fire department.
- Installation and service must be performed by a qualified installer, service agency or the gas supplier.

NATIONAL
FIREPLACE
INSTITUTE®



CERTIFIED
www.nficertified.org

We suggest that our gas hearth products be installed and serviced by professionals who are certified in the U.S. by the National Fireplace Institute® (NFI) as NFI Gas Specialists.

Installer: Leave this manual with the appliance.

Consumer: Retain this manual for future reference.

WARNING: If not installed, operated and maintained in accordance with the manufacturer's instructions, this product could expose you to substances in fuel or from fuel combustion which can cause death or serious illness.

TABLE OF CONTENTS

Section	Page
Important Installation Guidelines.....	3
General Information.....	3
Log Placement.....	4 - 5
Ember Placement.....	6
Ember Placement LSU24RR-2 Photos	7
Parts List & Parts View	7
How to Order Repair Parts.....	7

IMPORTANT INSTALLATION GUIDELINES

Proper Log Placement

Log placement is critical to proper burner performance. Logs must be correctly positioned onto the burner. The photos in this manual show the proper pinned position for logs on this set. Owners need to be shown proper log placement and instructed not to move the logs.

Logs must fit firmly onto the burner when positioned as shown in the photos. Malformed logs or logs with sloppy pin holes must be replaced.

Proper Placement of Rock Wool and Decorative Lava Rock

Rock wool can be added to burners for a glowing ember effect. It must be positioned only on the front portion of the burner. The photos in this manual show the proper placement of rock wool.

Decorative lava rock or small wood pieces should never be placed on the burner. These items are only for placement on the floor of the fireplace.

Proper Primary Airflow into Burner

For proper burner operation and flame appearance, the flow of primary air into the venturi tube, located on the rear of the burner, must not be reduced. This flow of air is reduced if dirt, lint or other obstructions build-up around or inside the venturi. Any obstruction in the venturi tube area must be removed. The flow of air into the venturi is also reduced if the gas orifice isn't centered in the venturi inlet and/or is not aligned with the venturi. Any misalignment of the burner orifice may be corrected by bending the shutter cap holding the orifice to the inlet of the venturi tube.

Ceiling Fans, Portable Fans or Logs Installed Near Cold Air Returns

Ceiling fans or oscillating floor type fans need to be monitored during the operation of vent-free logs. If the air blows directly into the flame causing it to impinge on the log set, or firebox, it should be turned off or redirected. Ceiling fans could be reversed to possibly eliminate flame impingement, and the floor fan could be redirected. Upon installation, be aware of any cold air returns or vents in the proximity of the log set. Any draft created around a vent-free log set can cause the flame to impinge on the log and create a sooting situation.

WARNING: Do not allow fans to blow directly into the fireplace. Avoid any drafts that alter burner flame patterns.

WARNING: Do not use a blower insert, heat exchanger insert or other accessory not approved for use with this heater.

Candles

Avoid the use of scented or decorative candles while the log set is in operation. Candles produce a residue in the air that creates a soot like substance. Burning candles while the log set is operating magnifies the problem. It should be noted that candles, in general, produce soot. The amount of time burned and the quantity of candles burned will determine the amount of soot produced and deposited.

Make Owners Aware of Proper Log Set Operation

Properly installed and properly maintained log sets do not deposit soot on the logs. If users see soot appear on a log, call for service. Do not continue to operate the log set.

GENERAL INFORMATION

Qualified Installing Agency

Installation and replacement of gas piping, gas utilization equipment or accessories and repair and servicing of equipment shall be performed only by a qualified agency. The term "qualified agency" means any individual, firm, corporation, or company that either in person or through a representative is engaged in and is responsible for (a) the installation, testing, or replacement of gas piping or (b) the connection, installation, testing, repair, or servicing of equipment; that is experienced in such work; that is familiar with all precautions required, and that has complied with all the requirements of the authority having jurisdiction.

The installation must conform with local codes or, in the absence of local codes, with the National Fuel Gas Code, ANSI Z223.1/ NFPA54* or International Fuel Gas Code.

**Available from the American National Standards Institute, Inc. 11 West 42nd St., New York, N.Y. 10018.*

State of Massachusetts: The installation must be made by a licensed plumber or gas fitter in the Commonwealth of Massachusetts.

Sellers of unvented propane or natural gas-fired supplemental room heaters shall provide to each purchaser a copy of 527 CMR 30 upon sale of the unit.

In the State of Massachusetts, unvented propane and natural gas-fired space heaters shall be prohibited in bedrooms and bathrooms.

LOG PLACEMENT

Before you begin: Do not, handle these logs with your bare hands! Always wear gloves to prevent skin irritation. After handling logs, wash your hands gently with soap and water.

All Logs

The positioning of the logs is critical to the safe and clean operation of this heater. Sooting and other problems may result if the logs are not properly and firmly positioned in the appliance.

Refer to Figures 1 for the following warning.

Warning: Failure to position the parts in accordance with this diagram or failure to use only parts specifically approved with this appliance may result in property damage or personal injury.

PROPER INSTALLATION SEQUENCE:

ATTENTION: For the instructions below, "Front" indicates the side of the burner with the air shutter to the right.

1. Facing the burner assembly with the pilot and air shutter to the right, place Back Right Log (log A) onto right back pins of burner.
2. Place Right Middle Log (log B) onto right middle pins of burner.
3. Place Left Back Log (log C) onto left back pins of burner. There is a bracket to support this log.
4. Place Left Middle Log (log D) onto left middle pins of burner.
5. Place Right Front Log (log E) onto right front pin of burner. There is a bracket to support this log.
6. Place Center Middle Log (log F) onto burner top against logs B and D. This log rests on top of the center log support plate.
7. Place Left Front Log (log G) onto left front pins of burner. Note: There is a bracket to support this log.
8. Insert boss of Middle Bottom Branch (log H) into recess on logs E, B, and C.
9. Insert boss of Middle Top Branch (log I) into recess on log H (Middle Bottom Branch) and logs A and B.
10. Insert boss of Top Left Branch (log K) into recess on logs C, D, and G.
11. Insert recess of Top Right Branch (log L) into the recess on log A.
12. Compare the completed log installation with Figure 3. Review previous steps to make any necessary adjustments.
13. Log placement is complete.

NOTE: When placed correctly, the logs will not cover any ports.

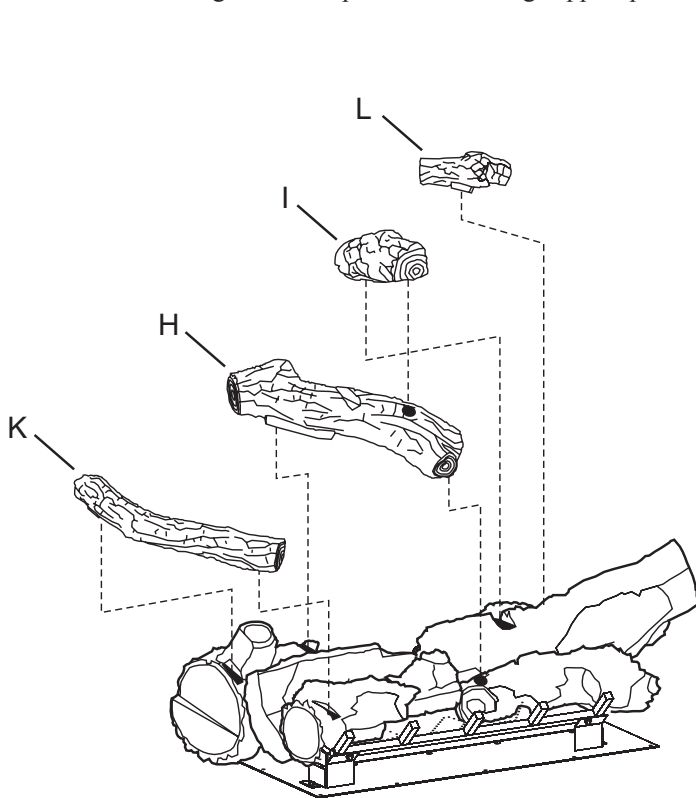
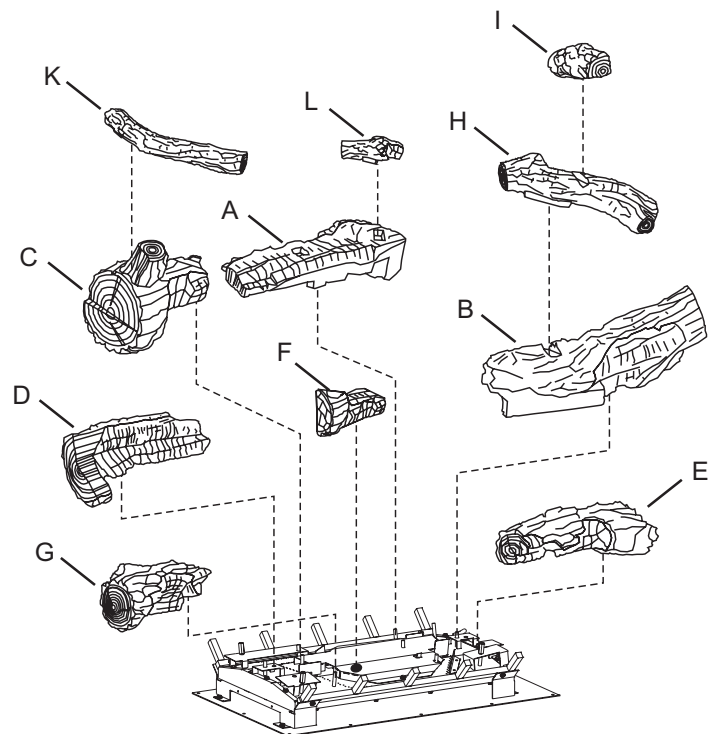


Figure 1



Log Placement
LSU24RR-2 Logs

Figure 2

Attention: Do not use Figures 1 or 2 to order replacement logs. Refer to Page 7, Parts List and Parts View to order logs for your appropriate model number.

LOG PLACEMENT

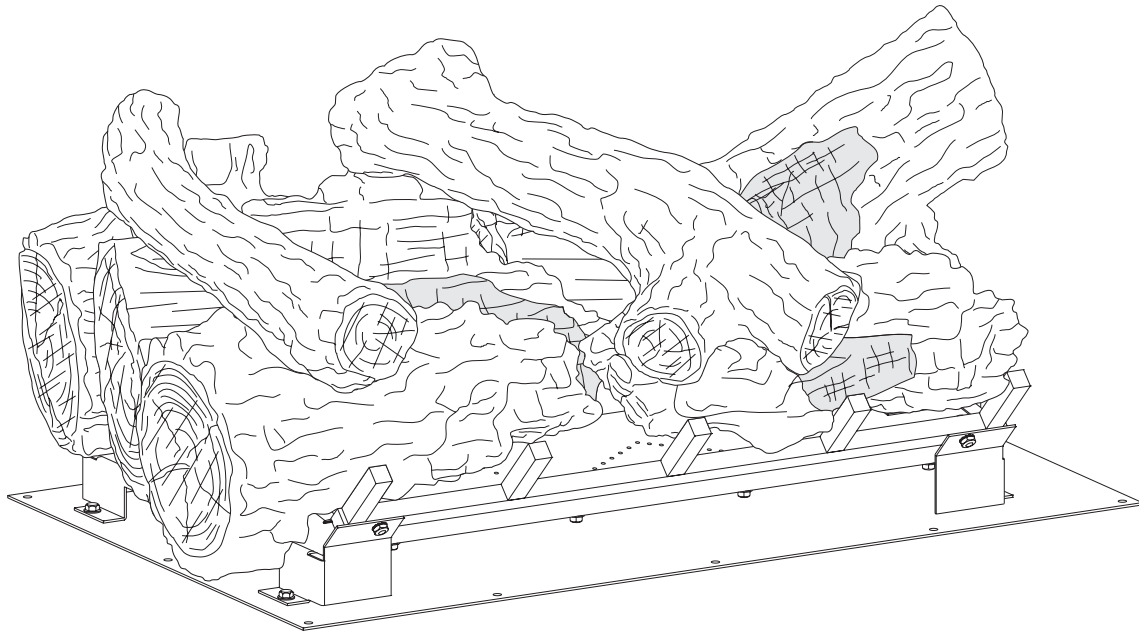


Figure 3

EMBER PLACEMENT

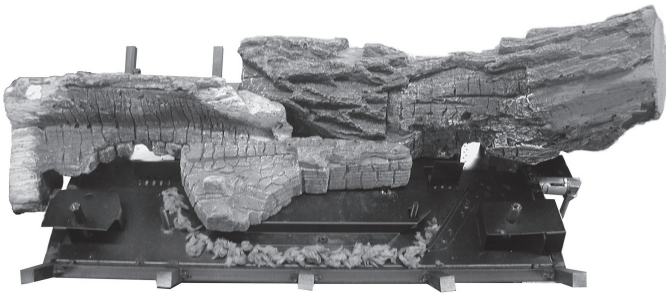
Apply loose material (glowing embers) with the appropriate ember placement, See photo on page 6. Replacement of loose material (glowing embers) must be purchased from Empire Comfort Systems, Inc. Application of excess loose material (glowing embers) may adversely affect performance of the heater. **WARNING:** All previously applied loose material must be removed prior to reapplication.

Replacement Loose Material (glowing embers) Part Number

Rock Wool	15999
Platinum Bright Embers	PE-20-1

Note: A single layer of embers is to be used when applying Platinum Bright Embers (alone or in combination with production embers) to the burner.

EMBER PLACEMENT LSU24RR-2 PHOTOS



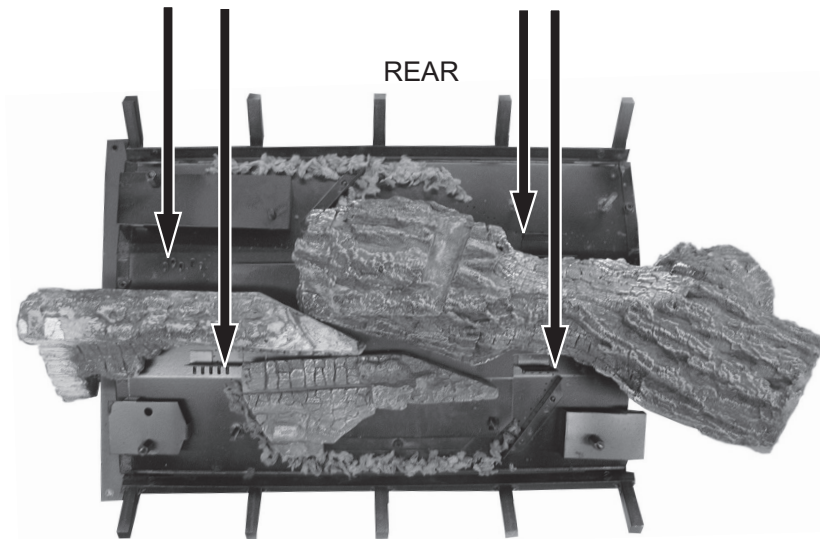
FRONT



REAR

Some logs have been removed for clarity

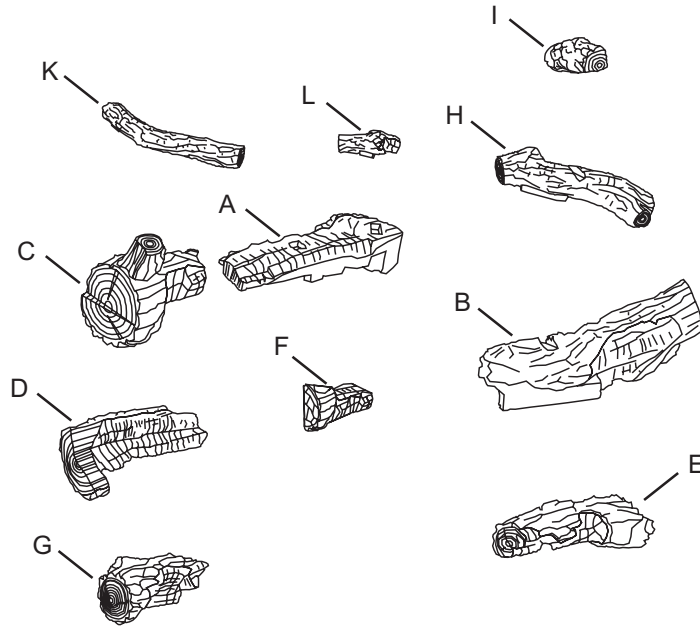
Do not cover any large ports with loose material (glowing embers)



FRONT

PARTS LIST & PARTS VIEW

Attention: When ordering parts, it is very important that **part number** and **description** of part coincide.



Index No.	Part Number LSU24RR-2	Description
A	R9323	BACK RIGHT LOG
B	R9717	RIGHT MIDDLE LOG
C	R9720	LEFT BACK LOG
D	R9326	LEFT MIDDLE LOG
E	R9873	RIGHT FRONT LOG
F	R9328	CENTER MIDDLE LOG
G	R9366	LEFT FRONT LOG
H	R10282	MIDDLE BOTTOM BRANCH
I	R9319	MIDDLE TOP BRANCH
K	R9321	TOP LEFT BRANCH
L	R9322	TOP RIGHT BRANCH

USE ONLY MANUFACTURER'S REPLACEMENT PARTS. USE OF ANY OTHER PARTS COULD CAUSE INJURY OR DEATH.

HOW TO ORDER REPAIR PARTS

Parts can be ordered **only** through your **service person or dealer**. For best results, the **service person or dealer** should order parts through the distributor. Parts can be shipped directly to the **service person/dealer**.

All parts listed in the Parts List have a Part Number. When ordering parts, first obtain the Model Number from the name plate on your equipment. Then determine the Part Number (**not** the Index Number) and the Description of each part from the following appropriate illustration and list. Be sure to give all this information . . .

Appliance Model Number _____ Part Description _____
 Appliance Serial Number _____ Part Number _____
 Type of Gas (Propane or Natural) _____

Do not order bolts, screws, washers or nuts. They are standard hardware items and can be purchased at any local hardware store. Shipments contingent upon strikes, fires and all causes beyond our control.



Empire Comfort Systems Inc.
918 Freeburg Ave. Belleville, IL 62220

If you have a general question about our products, please e-mail us at
info@empirecomfort.com.

If you have a service or repair question, please contact your dealer.

www.empirecomfort.com