



# AK4, CAK4, AND AK4E OUTSIDE COMBUSTION AIR KITS INSTALLATION INSTRUCTIONS

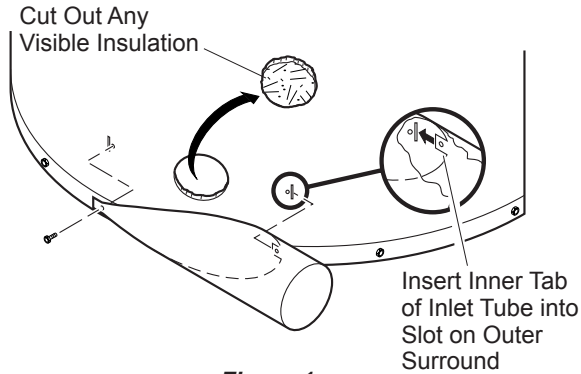


Figure 1

Locate air inlet cover plate on fireplace's outer surround and remove it. Cut-out any visible insulation that may obstruct air flow. Air inlet tube may be installed in two positions (Figure 2) (AK4E only). Insert inner tab of inlet tube into the mating slot next to the opening (Figure 1). Place outer tab of inlet tube over mating hole next to the opening and secure with a screw previously removed from cover plate. Seal any remaining gaps around inlet tube with hi-temp duct tape or noncombustible sealant (Figure 3 or 4).

Construct a 4 1/2" x 4 1/2" framing or opening on exterior wall (see Figure 3 or 4). Install the outside air vent termination in a location that would not eventually be obstructed by bushes, snow, or other obstructions.

Also, locate the vent near the fireplace to make flex duct installation easier. The flex duct supplied measures approximately 10" compressed and up to approximately 3 feet extended (Figures 3 or 4).

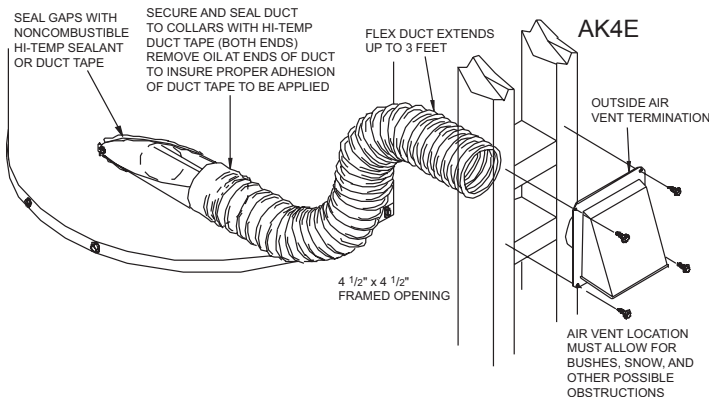


Figure 3

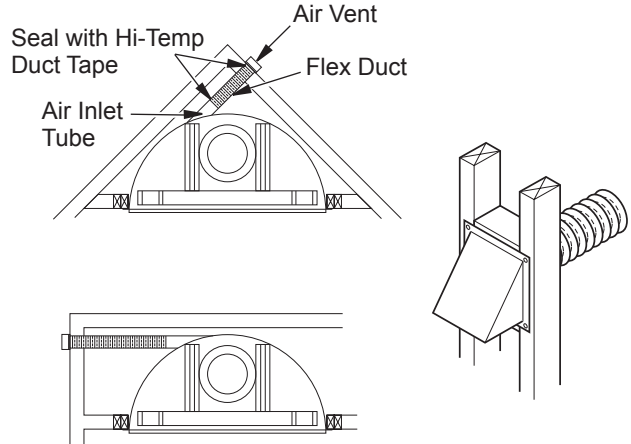


Figure 2

Be very careful not to distort flex duct when extending and watch for sharpness at the edges (use gloves). Slip flex duct onto inlet collar and vent collar. Clean flex duct surface of oil and dirt at the ends and secure flex duct to collars with hi-temp duct tape to provide a good seal.

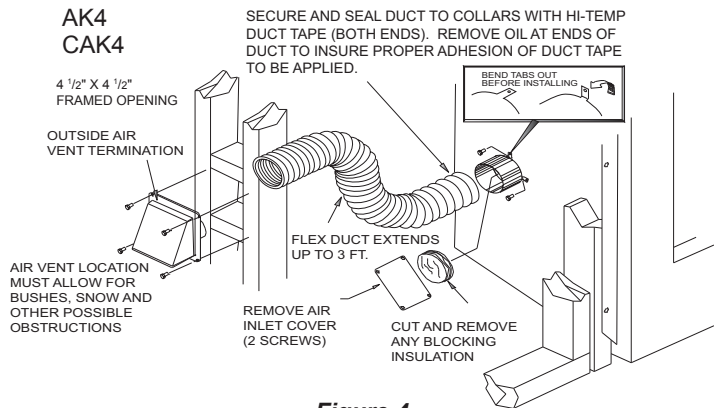


Figure 4

**CAUTION: AIR INLET DUCTS ARE NOT TO TERMINATE IN ATTIC SPACE.**  
DO NOT INSTALL VENT TERMINATION IN A LOCATION THAT WOULD DRAW AIR FROM GARAGE OR ATTIC SPACES.

The maximum height for the air vent can not exceed 3 feet below the flue gas outlet of the termination.



107726 01  
NOT A UPC



2701 Industrial Drive  
P.O. Box 90004  
Bowling Green, KY 42102-9004  
www.desatech.com  
1-866-672-6040

107726-01  
Rev. C  
01/08