

THE RENAISSANCE SERIES

# Alpine

Outdoor Vent-Free Fireplace Systems  
O36/ O42 Model Series

Unique Blend of  
Beauty,  
Convenience &  
Versatility



*Stylish extras for homeowners... Better value for builders*

FIREPLACES  
FOR BUILDERS  
**Fmi**

# Classic Beauty - Ultimate Flexibility

THE RENAISSANCE SERIES

# Alpine

Outdoor Vent-Free Fireplace Systems  
O36/ O42 Model Series

America is moving outdoors. And Fmi's new *Alpine* outdoor vent-free gas fireplace systems transform just about any backyard into a private year 'round oasis. An *Alpine* offers the beauty and ambiance of a real wood outdoor fire but without the smoke, hassle and mess. They can be installed virtually anywhere, and come in one beautiful and complete package with all the conveniences and new features homeowners will love!

## Homeowner Highlights:

- Eye Dazzling Beauty**— The *Alpine* features clean, brushed stainless steel faces and stainless mesh spark screens. The screens tuck out of sight behind hidden side pockets to maximize the beauty of the fireplace. They also include the industry's finest colored and textured refractory brick liner for a true masonry look. Integrated gas log sets feature intricately detailed bark, split wood and charred textures. Random dancing yellow flames with a deep glowing ember bed complete the full and realistic flame picture.
- Variety of Sizes & Features**—Available in 36" and 42" sizes with either natural white or warm red brick, there's a perfect *Alpine* for any outdoor room. All controls are hidden to eliminate hearth clutter and maximize the real woodburning feel. All models feature glowing ember bed burner with remote ready control and push button ignition.
- Versatility & Economy**—An *Alpine* is an extremely economical installation since it requires no venting or chimney construction whatsoever. Not only does that reduce costs, but may also be allowed where restrictions prohibit typical vented outdoor fireplaces.

## Builder Benefits:

- Economical and Versatile**— When you eliminate all that venting and chase construction, installation costs come way down. And their versatile, compact design provides enough flexibility for small, unconventional or restricted lots.
- Secure, straight installation**—We've included full-length, solid stainless steel nailing flanged drywall stops on the *Alpine* built into all 3 sides of the face frame.



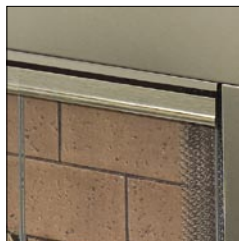
**O36NR Includes "stacked" style, natural white textured brick.**



**O42PRR operates on propane gas and features textured brick refractory in warm red.**

## Alpine Product Offering Summary

- 36" and 42" Opening Widths
- Stacked or Herringbone Brick Pattern in natural white or warm red
- Natural Gas or Propane Applications
- BDO series Bi-Fold Doors are required on all models but ordered separately



The *Alpine's* standard features include the industry's finest textured refractory brick lining, clean stainless steel faces and screens shown with Platinum bi fold doors.



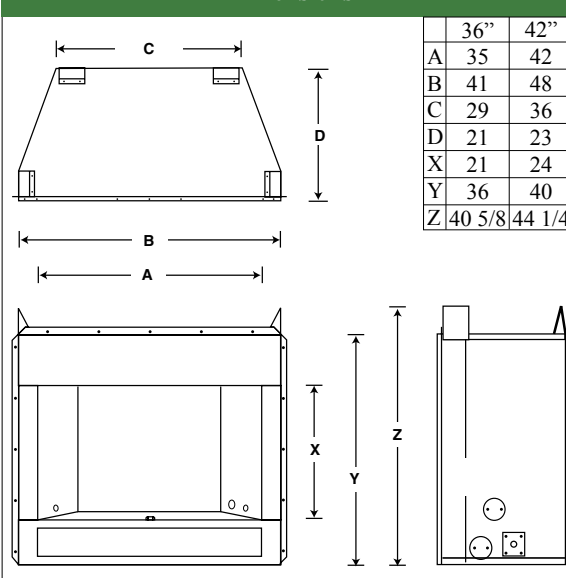
*Alpine* log and burner systems feature intricately detailed log arrangements with random, dancing flames with glowing coals and embers.

Size	BTU(NG)	BTU(LP)
36"	49,000	41,000
42"	53,000	45,000

## Accessory Offering Summary

- Corrosion resistant water drainage pans
- Outdoor Bi-fold Glass Door Options (Black, Brass & Platinum)
- Extruded Aluminum Perimeter Trim Kits (Black, Brass & Platinum)
- Remote Control Kits
- Decorative Ash Bed / Control Cover Kit

## Dimensions



DESA, FMI-LLC  
www.fmifireplace.com  
(866) 328-4537



Printed in U.S.A.