



SALES BULLETIN

BULLETIN: 2010-1109 – Broilmaster Flare Buster Price Change

ISSUED: November 9, 2010

SUBJECT: Flare Buster Price Change

COMMENTS: The prices shown in the Broilmaster Price List for the new Flare Buster accessories are incorrect.

- DPA 116 Flare Busters will increase from \$40 to \$60
- DPA 117 Flare Busters will increase from \$36 to \$56

These prices take effect December 10, 2011.

The Flare Buster Flavor Enhancers replace the Stainless Steel Flavor Screens, which will be phased out in 2011. The Flare Busters cost less than the Flavor Screens, work better at controlling flare-ups, and last longer. Flare Busters are widely used in other high-end grills.

SOLUTION: Your revised Broilmaster Price List is attached. Please discard your old list.

If you already have Flare Buster accessories on order, the lower prices will be honored. Flare Busters ordered after December 10 will be entered at the new price.

Sales Bulletins are a service from Empire Comfort Systems to keep our customers informed.



Marketing Materials Update Notice

We recently made changes to the enclosed Marketing Materials.
 If you need additional copies, please contact your Empire Customer Service Representative. If you have questions about any literature updates, please contact the Marketing Department. The MaxNo and Date shown below will be printed on the back of the brochure.

MaxNo-Date: **00743 November 8, 2010**

Description: **Broilmaster Retail Price List**

Web Updated: _____ Mailed to Reps: _____

Page	Changes
11	DPA117 Flare Buster Flavor Enhancers Price Change from \$36.00 to \$56.00
12	DPA116 Flare Buster Flavor Enhancer Price Change from \$40.00 to \$60.00
13	DPA116 Flare Buster Flavor Enhancer Price Change from \$40.00 to \$60.00
23	DPA116 Flare Buster Flavor Enhancer Price Change from \$40.00 to \$60.00
	DPA117 Flare Buster Flavor Enhancers Price Change from \$36.00 to \$56.00
23	Added Smoker Box in Most Requested Parts and Accessories under Smoker Shutter. DPA-27 Smoker Shutter for \$23.00
Back Page	00743-110810. Revised 11/8/10
11	Added that DPA117 requires B067449 Rack

2011 Grill Price List

Effective November 1, 2010

BROILMASTER®
PREMIUM GAS GRILLS

Conventional Grills • Infrared Grills • Combo Grills • Built-In Grills

Broilmaster T-Shirts and Hats



00879



00880



00881



00882



00883

Broilmaster Apparel Program Order Form							
		\$12.00 Net					
		S	M	L	XL	2XL	Total Net
00879	Crest T-Shirt - Green						
00880	Vintage T- Shirt - Gray						
00881	Bowtie T- Shirt - Black						
		\$17.00 Net					
00882	Gray Mesh Cap						
		\$15.00 Net					
00883	Black/White Sandwich Cap						
		Grand Total Net					\$

Pricing shown is Net Pricing. Normal Broilmaster discounts do not apply. Use this form to order. Do not include T-Shirts and hats on your grill order.



THE MOST DURABLE GRILL
KNOWN TO MAN

Table of Contents

Grills

Broilmaster Grill Selection Guide

Grill Selection Guide.....	4
----------------------------	---

Broilmaster Gas Grill Heads

Super Premium Gas Grill Heads

P3-SX, P3-SXN	5
---------------------	---

Infrared Gas Grill Heads

R3, R3N	6
---------------	---

R3B, R3BN	7
-----------------	---

Premium Gas Grill Heads

P3-XF, P3-XFN.....	8
--------------------	---

P3-X, P3XN.....	9
-----------------	---

P4-XF, P4-XFN.....	10
--------------------	----

P4-X, P4-XN	11
-------------------	----

Deluxe Gas Grill Heads

H3-X, H3-XN	12
-------------------	----

Deluxe Gas Grill Packages

H3-PK1, H3-PK1N Cart/Base Package	13
---	----

H3-PK2, H3-PK2N In-Ground Package	13
---	----

Broilmaster Mountings, Shelves, and Side Burners, Smoker Shutter and Rotisserie

Mountings, (Carts and Posts)	14
------------------------------------	----

Shelving	15
----------------	----

Side Burners.....	16
-------------------	----

Smoker Shutter and Rotisserie.....	17
------------------------------------	----

Broilmaster Built-In Components

Built-In Grill Components.....	18
--------------------------------	----

Broilmaster Mountings for Grills Pre-2011

Pre-2011 Grill Mountings.....	19
-------------------------------	----

Accessories and Most Requested Parts

Table of Contents.....	21
------------------------	----

Broilmaster Grill Selection Guide

Model	Btu	Total Cooking Area (Sq. In.)	Burner	Cooking Grids	Control Panel	Stainless Steel Lid Stop	Stainless Steel Smoker Shutter	Flavor Enhancer	Warming Rack	Stainless Steel Griddle	Page Number
Super Premium Series											
P3-SX	45,000	695	SS Bowtie	SSR	SS	•	•	FBC	SSF	•	5
Infrared Series											
R3	40,000	695	IR	SSR	SS	•	NA	NA	SSF	NA	6
R3B	40,000	695	IR/SS Tube	SSR	SS	•	NA	CMB(1/2)	SSF	Accy.*	7
Premium Series											
P3-XF	45,000	695	SS Bowtie	SSR	SS	•	Accy.	FBC	SSF	Accy.	8
P3-X	45,000	695	SS Bowtie	SSR	SS	•	Accy.	CMB	SSF	Accy.	9
P4-XF	40,000	473	SS Bowtie	SSR	SS	•	NA	FBC	SS	NA	10
P4-X	40,000	473	SS Bowtie	SSR	SS	•	NA	CMB	SS	NA	11
Deluxe Series											
H3-X	40,000	653	SS H Burner	SSR1	SS	Accy.	NA	CMB	CHM	Accy.	12

SS Stainless Steel

SSR Stainless Steel Rod-Multi-Level, 5/16-inch Rods

SSF Stainless Steel Retract-A-Rack, Folding

SSR1 Stainless Steel Rod Single-Level, 1/4-inch Rods

CMB Charmaster™ Briquets

FBC Flare Busters™ Flavor Enhancers

CHM Chrome-Plated Retract-A-Rack, Non-Folding

IR Infrared Burner

* On R3B, Griddle may be used over Blue-Flame burner only.

• “X” model grills fit the new carts and posts only.

• Grills manufactured before 2011 fit the previous generation carts and posts only.

• R3 and R3B grills include a control panel cover to allow them to fit new mountings and previous generation mountings.

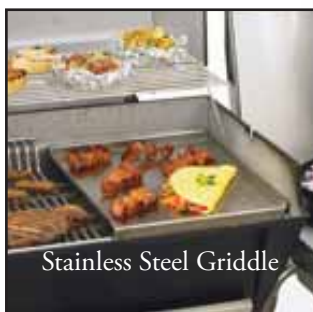
Grills do not include conversions kits. Please specify gas type when ordering.

Broilmaster P3-SX Super Premium Gas Grills

The Top of the Broilmaster line: Packed with features the P3-SX returns with increased power – 45,000 Btu – new Flare Buster Ceramic Flavor Enhancers. Ideal for all outdoor cooking – grilling, searing, indirect cooking, smoking, baking, slow roasting, and – thanks to the new stainless steel griddle – making breakfast.

Includes:

- Large Cast Aluminum Grill Head
- 2-Piece Stainless Steel Rod Cooking Grids (adjusts 3 levels)
- Stainless Steel Bowtie Burner - 45,000 Btu
- Electronic Ignition
- Flare Busters™ Flavor Enhancer
- Analog Heat Indicator 100-1,000° F
- Stainless Steel Control Panel
- Stainless Steel Heat Shield
- Stainless Steel Adjustable Lid Stop
- Stainless Steel Smoker Shutter
- Stainless Steel Retract-A-Rack – Folding
- Stainless Steel Griddle
- User's Guide & Cookbook



Dimensions:

Housing	26 3/4 W x 18 3/4 D x 19 H
Total Cooking Area	695 Sq. In.
Direct Broiling Area	442 Sq. In.
Warming Rack	253 Sq. In.

Broilmaster Super Premium Gas Grill Head

	Weight	List Price
P3-SX..... Super Premium Gas Grill with Stainless Steel Rod Grids, Propane		\$1,331.00
P3-SXN Super Premium Gas Grill with Stainless Steel Rod Grids, Natural.....		\$1,310.00

Mountings – Cart/Base

DCB-1 Black Cart/Base with Removable Casters	44	\$235.00
PCB-1 Stainless Steel Cart/Base with Removable Casters.....	37	\$275.00

Mountings – In-Ground Post

SS48-G Stainless Steel In-Ground Post.....	15	\$135.00
BL48-G..... Black Painted Steel In-Ground Post	15	\$105.00

Mountings – Patio Post with Base

SS26-P Stainless Steel Patio Post with Cast Iron Base	10	\$200.00
BL26-P Black Patio Post with Cast Iron Base	35	\$180.00
DPP100 Stainless Steel Base Shroud for Patio Post	4	\$125.00

Shelving – Front Shelf, Drop Down

FKBLACK Black-Drop-Down Stainless Steel Bracket	5	\$74.00
FKSS..... Stainless Steel-Drop-Down Stainless Steel Bracket	5	\$120.00

Shelving – Side Shelf, Fixed

SKSS2 Stainless Steel, Aluminum Fixed Bracket.....	5	\$110.00
--	---	----------

Shelving – Side Shelf, Drop Down

SKFB2 Drop-Down Stainless Steel Bracket, Solid Surface/Cup Holders	8	\$90.00
SKFPB2 Drop-Down Painted Bracket, Solid Surface/Cup Holders	8	\$65.00

Side Burners

DPSBSS LP, Side Burner, Stainless Steel with Natural Conversion Kit.....	20	\$358.00
--	----	----------

Accessories

DPA11 Hugga-Rack with Flat Basket	10	\$189.00
DPA51 Heavy Duty Standard Rotisserie.....	7	\$125.00
BCK1008..... Conversion Kit, LP to Natural.....		\$40.00
BCK1009..... Conversion Kit, Natural to LP		\$60.00

Broilmaster R3 Infrared Gas Grills

The Ultimate Grilling Experience for Steak Lovers. Two infrared burners generate up to 1,600° F to instantly vaporize drippings and cook foods to perfection.

Includes:

Large Cast Aluminum Grill Head
 2-Piece Stainless Steel Rod Cooking Grids – adjusts to 3 levels
 2 Infrared Burners - 40,000 Btu Total
 Electronic Ignition
 Analog Heat Indicator 100-1,000° F
 Stainless Steel Control Panel
 Stainless Steel Heat Shield
 Stainless Steel Adjustable Lid Stop
 Stainless Steel Retract-A-Rack – Folding
 User's Guide & Cookbook



Dimensions:

Housing 26 3/4 W x 18 3/4 D x 19 H

Total Cooking Area 695 Sq. In.

Direct Broiling Area 442 Sq. In.

Warming Rack 253 Sq. In.

Broilmaster Infrared Gas Grill Head

	Weight	List Price
R3.....Infrared Gas Grill, Propane.....		\$1,225.00
R3N.....Infrared Gas Grill, Natural.....		\$1,200.00

Mountings – Cart

DCB-1Black Cart/Base with Removable Casters	44.....	\$235.00
PCB-1Stainless Steel Cart/Base with Removable Casters.....	37.....	\$275.00

Mountings – In-Ground Post

SS48-GStainless Steel In-Ground Post	15.....	\$135.00
BL48-G.....Black Painted Steel In-Ground Post	15.....	\$105.00

Mountings – Patio Post with Base

SS26-PStainless Steel Patio Post with Cast Iron Base	10.....	\$200.00
BL26-PBlack Patio Post with Cast Iron Base.....	35.....	\$180.00
DPP100Stainless Steel Base Shroud for Patio Post	4.....	\$125.00

Shelving – Front Shelf, Drop Down

FKBLACK.....Black-Drop-Down Stainless Steel Bracket	5.....	\$74.00
FKSS.....Stainless Steel-Drop-Down Stainless Steel Bracket	5.....	\$120.00

Shelving – Side Shelf, Fixed

SKSS2Stainless Steel, Aluminum Fixed Bracket.....	5.....	\$110.00
---	--------	----------

Shelving – Side Shelf, Drop Down

SKFB2Drop-Down Stainless Steel Bracket, Solid Surface/Cup Holders	8.....	\$90.00
SKFPB2Drop-Down Painted Bracket, Solid Surface/Cup Holders	8.....	\$65.00

Side Burners

DPSBSS.....LP, Side Burner, Stainless Steel with Natural Conversion Kit.....	20.....	\$358.00
--	---------	----------

Accessories

BCK1004.....Conversion Kit, LP to Natural		\$10.00
BCK1006.....Conversion Kit, Natural to LP		\$49.00

Broilmaster R3B Infrared Combination Gas Grills

With both Infrared and Conventional Burners, the R3B Grill combines the latest infrared grilling technology along with traditional gas grilling under one hood.

Includes:

- Large Cast Aluminum Grill Head
- 2-Piece Stainless Steel Rod Cooking Grids – adjusts to 3 levels
- 1 Infrared Burner - 20,000 Btu
- 1 Blue Flame Burner - 18,000 Btu LP or 20,000 Btu Natural
- Electronic Ignition
- Analog Heat Indicator 100-1,000° F
- Stainless Steel Control Panel
- Stainless Steel Heat Shield
- Stainless Steel Adjustable Lid Stop
- Charmaster™ Briquets - Ceramic (Over Blue Flame Burner Only)
- Stainless Steel Retract-A-Rack – Folding
- User's Guide & Cookbook



Dimensions:

- Housing 26 3/4 W x 18 3/4 D x 19 H
- Total Cooking Area 695 Sq. In.**
- Direct Broiling Area 442 Sq. In.
- Warming Rack 253 Sq. In.

Broilmaster Infrared Combination Gas Grill Head	Weight	List Price
R3B.....Infrared Combination Gas Grill, Propane		\$1,225.00
R3BNInfrared Combination Gas Grill, Natural.....		\$1,200.00
Mountings – Cart		
DCB-1 Black Cart/Base with Removable Casters	44.....	\$235.00
PCB-1 Stainless Steel Cart/Base with Removable Casters.....	37	\$275.00
Mountings – In-Ground Post		
SS48-G Stainless Steel In-Ground Post.....	15.....	\$135.00
BL48-G..... Black Painted Steel In-Ground Post	15.....	\$105.00
Mountings – Patio Post with Base		
SS26-P Stainless Steel Patio Post with Cast Iron Base	10.....	\$200.00
BL26-P Black Patio Post with Cast Iron Base	35.....	\$180.00
DPP100 Stainless Steel Base Shroud for Patio Post	4.....	\$125.00
Shelving – Front Shelf, Drop Down		
FKBLACK..... Black-Drop-Down Stainless Steel Bracket	5.....	\$74.00
FKSS..... Stainless Steel-Drop-Down Stainless Steel Bracket	5.....	\$120.00
Shelving – Side Shelf, Fixed		
SKSS2 Stainless Steel, Aluminum Fixed Bracket.....	5.....	\$110.00
Shelving – Side Shelf, Drop Down		
SKFB2 Drop-Down Stainless Steel Bracket, Solid Surface/Cup Holders	8.....	\$90.00
SKFPB2 Drop-Down Painted Bracket, Solid Surface/Cup Holders.....	8.....	\$65.00
Side Burners		
DPSBSS..... LP, Side Burner, Stainless Steel with Natural Conversion Kit.....	20.....	\$358.00
Accessories		
BCK1004..... Conversin Kit, LP to Natural.....		\$10.00
BCK1005..... Conversion Kit, Natural to LP		\$49.00

Broilmaster P3-XF Premium Gas Grills with Flare Busters™

More Power, Better Control: Packed with features, the P3-XF now delivers increased power – 45,000 Btu – to turn up the heat on your outdoor cooking, plus new Flare Busters Ceramic Flavor Enhancers for even better heat distribution and flame control.

Includes:

- Large Cast Aluminum Grill Head
- 2-Piece Stainless Steel Rod Cooking Grids – adjusts to 3 levels
- Stainless Steel Bowtie Burner - 45,000 Btu
- Electronic Ignition
- Flare Busters™ Flavor Enhancer
- Analog Heat Indicator 100-1,000° F
- Stainless Steel Control Panel
- Stainless Steel Heat Shield
- Stainless Steel Adjustable Lid Stop
- Stainless Steel Retract-A-Rack – Folding
- User's Guide & Cookbook



Dimensions:

Housing 26 3/4 W x 18 3/4 D x 19 H
Total Cooking Area 695 Sq. In.
 Direct Broiling Area 442 Sq. In.
 Warming Rack 253 Sq. In.

Broilmaster Premium Gas Grill Head	Weight	List Price
P3-XF Premium Gas Grill, Propane		\$1,069.00
P3-XFN Premium Gas Grill, Natural		\$1,047.00
Mountings – Cart		
DCB-1 Black Cart/Base with Removable Casters	44	\$235.00
PCB-1 Stainless Steel Cart/Base with Removable Casters.....	37	\$275.00
Mountings – In-Ground Post		
SS48-G Stainless Steel In-Ground Post	15	\$135.00
BL48-G..... Black Painted Steel In-Ground Post	15	\$105.00
Mountings – Patio Post with Base		
SS26-P Stainless Steel Patio Post with Cast Iron Base	10.....	\$200.00
BL26-P Black Patio Post with Cast Iron Base	35.....	\$180.00
DPP100 Stainless Steel Base Shroud for Patio Post	4.....	\$125.00
Shelving – Front Shelf, Drop Down		
FKBLACK..... Black-Drop-Down Stainless Steel Bracket	5.....	\$74.00
FKSS..... Stainless Steel-Drop-Down Stainless Steel Bracket	5.....	\$120.00
Shelving – Side Shelf, Fixed		
SKSS2..... Stainless Steel, Aluminum Fixed Bracket	5.....	\$110.00
Shelving – Side Shelf, Drop Down		
SKFB2 Drop-Down Stainless Steel Bracket, Solid Surface/Cup Holders	8.....	\$90.00
SKFPB2 Drop-Down Painted Bracket, Solid Surface/Cup Holders	8.....	\$65.00
Side Burners		
DPSBSS..... LP, Side Burner, Stainless Steel with Natural Conversion Kit.....	20.....	\$358.00
Accessories		
DPA100..... Smoker Shutter	11	\$150.00
DPA11 Hugga-Rack with Flat Basket	10.....	\$189.00
DPA115 Stainless Steel Griddle		\$150.00
DPA51 Heavy Duty Standard Rotisserie.....	7	\$125.00
BCK1008..... Conversion Kit, LP to Natural		\$40.00
BCK1009..... Conversion Kit, Natural to LP		\$60.00

Broilmaster P3-X Premium Gas Grills

The Workhorse of the line: The P3-X features 45,000 Btu and our traditional CharMaster™ flavor briquets.

Includes:

- Large Cast Aluminum Grill Head
- 2-Piece Stainless Steel Rod Cooking Grids – adjusts to 3 levels
- Stainless Steel Bowtie Burner - 45,000 Btu
- Electronic Ignition
- Analog Heat Indicator 100-1,000° F
- Stainless Steel Control Panel
- Stainless Steel Heat Shield
- Stainless Steel Adjustable Lid Stop
- Charmaster™ Briquets
- Stainless Steel Retract-A-Rack – Folding
- User's Guide & Cookbook



Dimensions:

- Housing 26 3/4 W x 18 3/4 D x 19 H
- Total Cooking Area 695 Sq. In.**
- Direct Broiling Area 442 Sq. In.
- Warming Rack 253 Sq. In.

Broilmaster Premium Gas Grill Head	Weight	List Price
P3-X Premium Gas Grill, Propane		\$1,009.00
P3-XN Premium Gas Grill, Natural		\$988.00
Mountings – Cart		
DCB-1 Black Cart/Base with Removable Casters	44.....	\$235.00
PCB-1 Stainless Steel Cart/Base with Removable Casters.....	37.....	\$275.00
Mountings – In-Ground Post		
SS48-G Stainless Steel In-Ground Post.....	15.....	\$135.00
BL48-G..... Black Painted Steel In-Ground Post	15.....	\$105.00
Mountings – Patio Post with Base		
SS26-P Stainless Steel Patio Post with Cast Iron Base	10.....	\$200.00
BL26-P Black Patio Post with Cast Iron Base	35.....	\$180.00
DPP100 Stainless Steel Base Shroud for Patio Post	4.....	\$125.00
Shelving – Front Shelf, Drop Down		
FKBLACK..... Black-Drop-Down Stainless Steel Bracket	5.....	\$74.00
FKSS..... Stainless Steel-Drop-Down Stainless Steel Bracket	5.....	\$120.00
Shelving – Side Shelf, Fixed		
SKSS2 Stainless Steel, Aluminum Fixed Bracket.....	5.....	\$110.00
Shelving – Side Shelf, Drop Down		
SKFB2 Drop-Down Stainless Steel Bracket, Solid Surface/Cup Holders	8.....	\$90.00
SKFPB2 Drop-Down Painted Bracket, Solid Surface/Cup Holders	8.....	\$65.00
Side Burners		
DPSBSS LP, Side Burner, Stainless Steel with Natural Conversion Kit.....	20.....	\$358.00
Accessories		
DPA100 Smoker Shutter.....	11.....	\$150.00
DPA11 Hugga-Rack with Flat Basket.....	10.....	\$189.00
DPA115 Stainless Steel Griddle		\$150.00
DPA51 Heavy Duty Standard Rotisserie.....	7.....	\$125.00
BCK1008..... Conversion Kit, LP to Natural		\$40.00
BCK1009..... Conversion Kit, Natural to LP		\$60.00

Broilmaster P4-XF Premium Gas Grills with Flare Busters™

Enhanced Control in a More Compact Grill Head: Packed with features, the P4-XF delivers 40,000 Btu plus new Flare Busters Ceramic Flavor Enhancers for even better heat distribution and flame control.

Includes:

- Cast Aluminum Grill Head
- 2-Piece Stainless Steel Rod Cooking Grids – adjusts to 2 levels
- Stainless Steel Bowtie Burner - 40,000 Btu
- Electronic Ignition
- Flare Busters™ Flavor Enhancer
- Analog Heat Indicator 100-1,000° F
- Stainless Steel Control Panel
- Stainless Steel Heat Shield
- Stainless Steel Adjustable Lid Stop
- Stainless Steel Retract-A-Rack – Non-Folding
- User's Guide & Cookbook



Dimensions:

Housing	24 W x 16 1/4 D x 19 H
Total Cooking Area	473 Sq. In.
Direct Broiling Area	360 Sq. In.
Warming Rack	113 Sq. In.

Broilmaster Premium Gas Grill Head

	Weight	List Price
P4-XF Premium Gas Grill, Propane		\$988.00
P4-XFN Premium Gas Grill, Natural		\$964.00

Mountings – Cart

DCB-1 Black Cart/Base with Removable Casters	44	\$235.00
PCB-1 Stainless Steel Cart/Base with Removable Casters.....	37	\$275.00

Mountings – In-Ground Post

SS48-G Stainless Steel In-Ground Post.....	15	\$135.00
BL48-G..... Black Painted Steel In-Ground Post	15	\$105.00

Mountings – Patio Post with Base

SS26-P Stainless Steel Patio Post with Cast Iron Base	10	\$200.00
BL26-P Black Patio Post with Cast Iron Base	35	\$180.00
DPP100 Stainless Steel Base Shroud for Patio Post	4	\$125.00

Shelving – Front Shelf, Drop Down

FKBLACK Black-Drop-Down Stainless Steel Bracket	5	\$74.00
FKSS Stainless Steel-Drop-Down Stainless Steel Bracket	5	\$120.00

Shelving – Side Shelf, Fixed

SKSS2 Stainless Steel, Aluminum Fixed Bracket	5	\$110.00
---	---	----------

Shelving – Side Shelf, Drop Down

SKFB2 Drop-Down Stainless Steel Bracket, Solid Surface/Cup Holders	8	\$90.00
SKFPB2 Drop-Down Painted Bracket, Solid Surface/Cup Holders	8	\$65.00

Side Burners

DPSBSS LP, Side Burner, Stainless Steel with Natural Conversion Kit.....	20	\$358.00
--	----	----------

Accessories

DPA11 Hugga-Rack with Flat Basket	10	\$189.00
DPA51 Heavy Duty Standard Rotisserie.....	7	\$125.00
BCK1010..... Conversion Kit, LP to Natural		\$40.00
BCK1011..... Conversion Kit, Natural to LP		\$60.00

Broilmaster P4-X Premium Gas Grills

The Workhorse of our Compact Grill Line: The P4-X features 40,000 Btu and our traditional CharMaster™ flavor briquets.

Includes:

- Cast Aluminum Grill Head
- 2-Piece Stainless Steel Rod Cooking Grids – adjusts to 2 levels
- Stainless Steel Bowtie Burner - 40,000 Btu
- Electronic Ignition
- Analog Heat Indicator 100-1,000° F
- Stainless Steel Control Panel
- Stainless Steel Heat Shield
- Stainless Steel Adjustable Lid Stop
- Charmaster™ Briquets
- Stainless Steel Retract-A-Rack – Non-Folding
- User's Guide & Cookbook



Dimensions:

- Housing 24 W x 16 1/4 D x 19 H
- Total Cooking Area 473 Sq. In.**
- Direct Broiling Area 360 Sq. In.
- Warming Rack 113 Sq. In.

Broilmaster Premium Gas Grill Head	Weight	List Price
P4-X Premium Gas Grill, Propane		\$938.00
P4-XN Premium Gas Grill, Natural		\$907.00
Mountings – Cart		
DCB-1 Black Cart/Base with Removable Casters	44	\$235.00
PCB-1 Stainless Steel Cart/Base with Removable Casters.....	37	\$275.00
Mountings – In-Ground Post		
SS48-G Stainless Steel In-Ground Post.....	15	\$135.00
BL48-G..... Black Painted Steel In-Ground Post	15	\$105.00
Mountings – Patio Post with Base		
SS26-P Stainless Steel Patio Post with Cast Iron Base	10	\$200.00
BL26-P Black Patio Post with Cast Iron Base	35	\$180.00
DPP100 Stainless Steel Base Shroud for Patio Post	4	\$125.00
Shelving – Front Shelf, Drop Down		
FKBLACK Black-Drop-Down Stainless Steel Bracket	5	\$74.00
FKSS..... Stainless Steel-Drop-Down Stainless Steel Bracket	5	\$120.00
Shelving – Side Shelf, Fixed		
SKSS2 Stainless Steel, Aluminum Fixed Bracket	5	\$110.00
Shelving – Side Shelf, Drop Down		
SKFB2 Drop-Down Stainless Steel Bracket, Solid Surface/Cup Holders	8	\$90.00
SKFPB2 Drop-Down Painted Bracket, Solid Surface/Cup Holders	8	\$65.00
Side Burners		
DPSBSS LP, Side Burner, Stainless Steel with Natural Conversion Kit.....	20	\$358.00
Accessories		
DPA11 Hugga-Rack with Flat Basket	10	\$189.00
DPA51 Heavy Duty Standard Rotisserie.....	7	\$125.00
DPA117 Flare Busters™ Flavor Enhancer Kit for P4 (Requires B067449 Rack)		\$56.00
B067449 Briquet Rack for P4, D4, G4		\$35.00
BCK1010..... Conversion Kit, LP to Natural		\$40.00
BCK1011..... Conversion Kit, Natural to LP		\$60.00

Broilmaster H3-X Deluxe Gas Grills

A Full-Size Grill with All the Basics Covered: The H3-X features 40,000 Btu and our traditional CharMaster™ flavor briquets.

Includes:

Cast Aluminum Grill Head
 2-Piece Stainless Steel Rod Cooking Grids – Single-Level
 Stainless Steel “H” Burner - 40,000 Btu
 Electronic Ignition
 Analog Heat Indicator 100-1,000° F
 Stainless Steel Control Panel
 Stainless Steel Heat Shield
 Charmaster™ Briquets
 Chrome-Plated Retract-A-Rack – Non-Folding
 User’s Guide & Cookbook



Dimensions:

Housing 26 3/4 W x 18 3/4 D x 19 H
Total Cooking Area 653 Sq. In.
 Direct Broiling Area 400 Sq. In.
 Warming Rack 253 Sq. In.

Broilmaster Deluxe Gas Grill Head	Weight	List Price
H3-X Deluxe Gas Grill, Propane		\$853.00
H3-XN Deluxe Gas Grill, Natural		\$828.00
Mountings – Cart		
DCB-1 Black Cart/Base with Removable Casters	44	\$235.00
PCB-1 Stainless Steel Cart/Base with Removable Casters.....	37	\$275.00
Mountings – In-Ground Post		
SS48-G Stainless Steel In-Ground Post.....	15	\$135.00
BL48-G..... Black Painted Steel In-Ground Post	15	\$105.00
Mountings – Patio Post with Base		
SS26-P Stainless Steel Patio Post with Cast Iron Base	10	\$200.00
BL26-P Black Patio Post with Cast Iron Base	35	\$180.00
DPP100 Stainless Steel Base Shroud for Patio Post	4	\$125.00
Shelving – Front Shelf, Drop Down		
FKBLACK Black-Drop-Down Stainless Steel Bracket	5	\$74.00
FKSS..... Stainless Steel-Drop-Down Stainless Steel Bracket	5	\$120.00
Shelving – Side Shelf, Fixed		
SKSS2..... Stainless Steel, Aluminum Fixed Bracket.....	5	\$110.00
Shelving – Side Shelf, Drop Down		
SKFB2 Drop-Down Stainless Steel Bracket, Solid Surface/Cup Holders	8	\$90.00
SKFPB2 Drop-Down Painted Bracket, Solid Surface/Cup Holders	8	\$65.00
Side Burners		
DPSBSS LP, Side Burner, Stainless Steel with Natural Conversion Kit.....	20	\$358.00
Accessories		
DPA11 Hugga-Rack with Flat Basket	10	\$189.00
DPA51 Heavy Duty Standard Rotisserie.....	7	\$125.00
DPA115 GR3 Stainless Steel Griddle.....		\$150.00
DPA116..... Flare Busters™ Flavor Enhancer Ceramic Pads DPA103 (Requires B101061 Rack)		\$60.00
B101061 Briquet Rack.....		\$40.00
DPA106..... Adjustable Lid Stop for Casting	3	\$24.00
DPA111 Stainless Steel Adjustable Cooking Grids.....	17	\$155.00
BCK1010..... Conversion Kit, LP to Natural		\$40.00
BCK1011..... Conversion Kit, Natural to LP		\$60.00

Broilmaster H3-X Deluxe Gas Grill Packages

A Full-Size Grill Plus a Shelf and Mounting: The H3-X Packages simplify ordering – to provide a grill head with shelf, plus a post or cart.

Includes:

- Cast Aluminum Grill Head
- 2-Piece Stainless Steel Rod Cooking Grids – Single-Level
- Stainless Steel “H” Burner - 40,000 Btu
- Electronic Ignition
- Analog Heat Indicator 100-1,000° F
- Stainless Steel Control Panel
- Stainless Steel Heat Shield
- Charmaster™ Briquets
- Chrome-Plated Retract-A-Rack – Non-Folding
- User’s Guide & Cookbook



Dimensions:

- Housing 26 3/4 W x 18 3/4 D x 19 H
- Total Cooking Area 653 Sq. In.**
- Direct Broiling Area 400 Sq. In.
- Warming Rack 253 Sq. In.

Broilmaster Deluxe Gas Grill Package 1, Cart/Base	Weight	List Price
H3-PK1Deluxe Gas Grill Package 1, Black Painted Cart/Base, Propane 1 Drop Down Side Shelf (SKFPB2)		\$1,153.00
H3-PK1NDeluxe Gas Grill Package 1 Black Cart/Base, Natural 1 Drop Down Side Shelf (SKFPB2)		\$1,128.00

Broilmaster Deluxe Gas Grill Package 2 – with 48-inch In-Ground Post (Ships in two cartons)

H3-PK2NDeluxe Gas Grill Package 2, In-Ground Post (BL48G), Natural..... 1 Drop Down Side Shelf (SKFPB2)	\$998.00
--	----------

Broilmaster Deluxe Gas Grill Package 3 – with 26-inch Patio Post with Base

H3PK3NDeluxe Gas Grill Package 3, Patio/Base (BL26P), Natural..... 1 Drop Down Side Shelf (SKFPB2)	\$1,098.00
---	------------

Side Burners

DPSBSSLP, Side Burner, Stainless Steel with Natural Conversion Kit..... 20.....	\$358.00
---	----------

Accessories

DPA11Hugga-Rack with Flat Basket..... 10.....	\$189.00
DPA51Heavy Duty Standard Rotisserie..... 7.....	\$125.00
DPA115GR3 Stainless Steel Griddle.....	\$150.00
DPA116Flare Busters™ Flavor Enhancer Ceramic Pads DPA103 (Requires B101061 Rack).....	\$60.00
B101061Briquet Rack.....	\$40.00
DPA106Adjustable Lid Stop..... 3.....	\$24.00
DPA111Stainless Steel Adjustable Cooking Grids..... 17.....	\$155.00
BCK1010Conversion Kit, LP to Natural.....	\$40.00
BCK1011Conversion Kit, Natural to LP.....	\$60.00

Broilmaster Mountings (for Grills manufactured after 2010)



Model	PCB-1 Cart Stainless Steel	DCB-1 Cart Black Painted Steel		
List Price	\$275.00	\$235.00		
Shipping Weight (lb)	34	34		
Fits	P3-X, P4-X, R3, and H3-X Series	P3-X, P4-X, R3, and H3-X Series		
Model (All Posts Include 3 ft. Stainless Flex Line)	SS48-G Stainless Steel In-ground Post	BL48-G Painted Steel In-ground Post	SS26-P Stainless Steel Patio Post with Cast Iron Base (Ships in two cartons)	BL26-P Painted Steel Patio Post with Cast Iron Base (Ships in two cartons)
List Price	\$135.00	\$105.00	\$200.00	\$180.00
Shipping Weight (lb)	13	13	33	33
Fits	P3-X, P4-X, R3, and H3-X Series	P3-X, P4-X, R3, and H3-X Series	P3-X, P4-X, R3, and H3-X Series	P3-X, P4-X, R3, and H3-X Series

Popular Accessory

List Price



DPP100Stainless Steel Shroud for Cast Iron Base\$125.00

- All dimensions are approximate.
- Prices for propane models do not include propane tank.
- LP Grills include a Propane hose and regulator. Our In-ground Posts, Patio Posts, and Built-In Surrounds each include a Stainless Steel flexible line for connection to natural gas. To connect a cart-mounted natural gas grill, order the 12-foot quick-connect hose (NG-12).

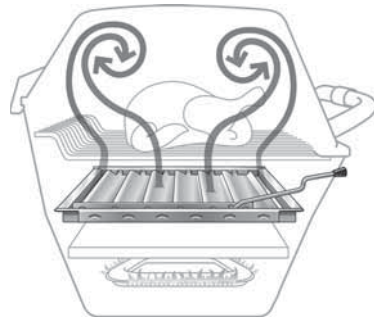
Broilmaster Shelving (Fits all current models)

Drop Down Front Shelves		
Model	FKBLACK	FKSS
List Price	\$74.00	\$120.00
Material: Bracket Shelf	Stainless Steel Black Composite	Stainless Steel Stainless Steel
Width & Depth	27 1/2 x 10 1/2	24 x 9
Shipping Weight (lb)	5	5
Stationary Fixed Side Shelves		
		
Model	SKSS2	
List Price	\$110.00	
Material: Bracket Shelf	Aluminum Stainless Steel	
Width & Depth	13 x 12	
Shipping Weight (lb)	5	
Drop Down Side Shelves		
		
Model	SKFB2	SKFPB2
List Price	\$90.00 (ea)	\$65.00 (ea)
Material: Bracket Shelf	Stainless Steel Arms Black Solid Surface Cup Holders	Painted Black Solid Surface Cup Holders
Width & Depth	16 x 21	16 x 21
Shipping Weight (lb)	8	8

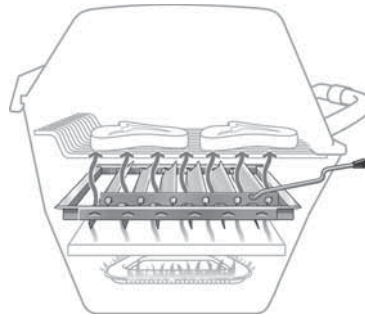
Broilmaster Side Burners (Fit all current models)

		
Model	DPSBSS	DPA-SBC
List Price	\$358.00	\$125.00
Btu	11,000 Btu	13,000 Btu
Materials	Stainless Steel	Stainless Steel
Width & Depth	12 1/2 x 17	14 3/4 x 14
Shipping Weight (lb)	20	11
	<ul style="list-style-type: none"> • For use with Broilmaster Grill on a Post or Cart 	<ul style="list-style-type: none"> • For use in any Grill Island. Requires BSA Stainless Steel Side Burner Kit. (\$99.00) • Fits Superb by Broilmaster SBG 2500, SBG 2501, and SBG 2801 – without BSA Kit

Broilmaster Smoker Shutter and Rotisserie



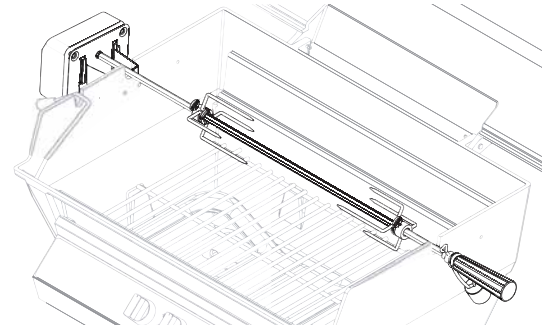
Closed



Open

Model	DPA100 Stainless Steel Smoker Shutter
List Price	\$150.00
Shipping Weight (lb)	11

The Smoker Shutter is included with P3S.
 It is an accessory for all P3 grills.
 The Smoker Shutter may not be installed in an R3 or R3B grill.
 The Smoker Shutter will not fit the P4 or H3 grill.



Model	DPA11 Hugga-Rack® Rotisserie with Flat Basket	DPA51 Heavy-Duty Standard Rotisserie
List Price	\$189.00	\$125.00
Shipping Weight (lb)	10	7

Heavy-Duty Conventional Rotisserie with motor, rod, tines and counterbalance.
 Hugga-Rack® Rotisserie clamps food in a sturdy stainless steel basket and ensures self-basting, gourmet results with no monitoring. Includes motor.
 Both Rotisseries fit P3, P4 and H3 grills.

Broilmaster Built-In Kit for P3/H3/R3



Model	Description	Ship Weight	List Price
A BHA	Stainless Steel Broilmaster Built-In Kit for R3, and R3B Grill Head	27	\$299.00
A BHAX	Stainless Steel Broilmaster Built-In Kit for P3X and H3X Grill Head	27	\$299.00
B BDA	Stainless Steel Door Kit (one door with frame, use alone or in pairs)	10	\$299.00
C BSA	Stainless Steel Side Burner Kit (Requires DPA-SBC)	3	\$99.00
D DPA-SBC	Stainless Steel Side Burner, 13,000 Btu (Requires BSA)	11	\$125.00
E BBA	Stainless Steel Tilt-Out LP Tank Door	19	\$299.00
BRB	Stainless Steel Register Kit (Required for island ventilation with LP tank, includes 2 registers)	1	\$45.00

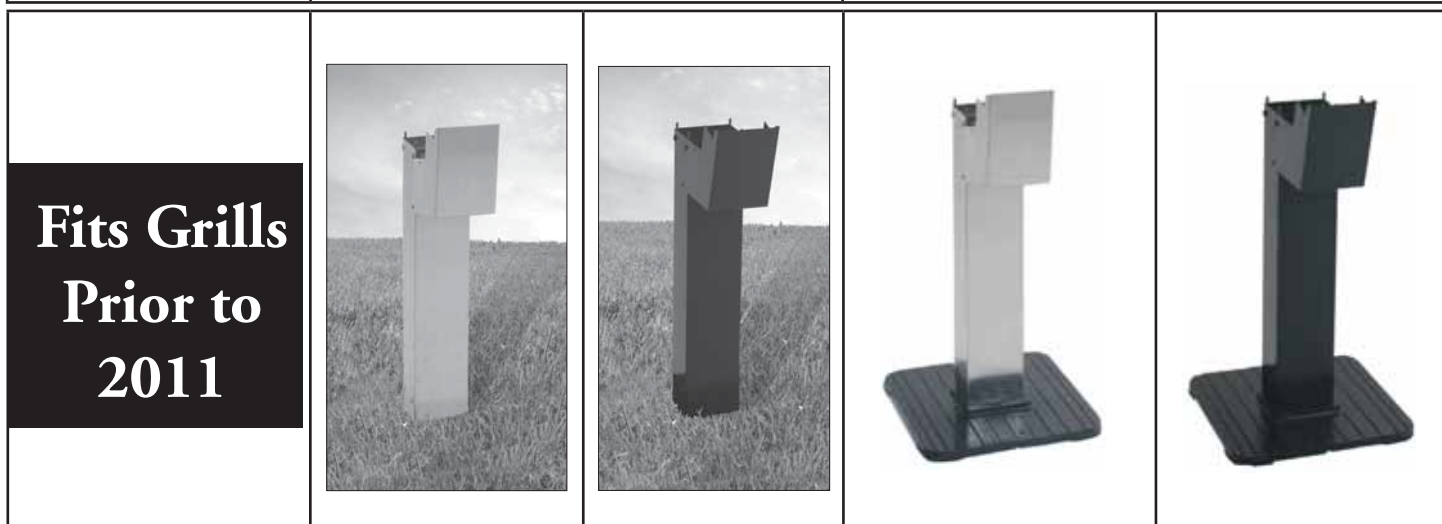
		Opening Required (inches)			Stainless Steel Frame Dimension (inches)		
		Height	Width	Depth	Height	Width	Depth
BHA	Broilmaster Built-In Surround for R3	14	26 13/16	15 3/8	14 3/8	28 15/16	16
BHAX	Broilmaster Built-In Surround for P3X and H3X	14	26 13/16	15 3/8	14 3/8	28 15/16	16
BDA	Door Kit (single door)	19 13/16	14		21 9/16	16 9/16	
BDA	Two Door Kits Mounted Together (shown)	19 13/16	27 1/2		21 9/16	30 3/16	
BSA	Side Burner Housing		12 3/16	14 3/8		15	17 1/4
BBA	Tilt-Out LP Tank Door	24 13/16	13 15/16		26 9/16	16 5/8	
BRB	Register	2 1/4	10		3	11 9/16	

Limited Lifetime Warranty on Built-In Components

Pre-2011 Broilmaster Mountings



Model	PC2 Cart Stainless Steel	DC2 Cart Painted Steel
List Price	\$428.00	\$287.00
Shipping Weight (lb)	34	34
Fits	P, R, and T Series	P, R, and T Series



Model (All Posts Include 3 ft. Stainless Flex Line)	SSP48 Stainless Steel In-ground Post	BP48 Painted Steel In-ground Post	SSPB26 Stainless Steel Patio Post with Cast Iron Base- Built to order while supplies last (Ships in two cartons)	BPB26 Painted Steel Patio Post with Cast Iron Base - Built to order while supplies last (Ships in two cartons)
List Price	\$184.00	\$134.00	\$237.00	\$219.00
Shipping Weight (lb)	13	13	33	33
Fits	P, R, and T Series	P, R, and T Series	P, R, and T Series	P, R, and T Series

Popular Accessory		List Price
DPP100	Stainless Steel Shroud for Cast Iron Base	\$125.00

Accessories and Most Requested Parts

Table of Contents

Broilmaster Accessories

Grill Covers, Tools, Rotisserie, Smoker Shutter, Flavor Screen & Briquets	23
Grid Sets and Individual Grids	24

Most Requested Parts

Casting Handles and Lid Stop	25
Casting - Aluminum	25
Burners	26
Control Panel Assemblies & Labels	27
Conversion Kits (Natural to Propane)	28
Conversion Kits (Propane to Natural)	28
Front Shelf Components	28
Front Shelf Brackets	28
Side Shelf Kits	29
Hardware	30
Heat Indicators	30
Heat Shields	30
Ignitors.....	31
Mounting Repair Parts	32
Post and Cart Update Kit	32
Pull Handles.....	32
Rotisserie Parts	33
Valves	34
Valve Knobs	34
Warming Racks	34
Miscellaneous Parts	35
Grease Cups/Trays	
Hose/Regulator	
Paint	

Broilmaster Accessories

Grill Covers (Available in Black Only)

Model	Description	Wt.	List Price
DPA-109.....	Full Length Broilmaster Premium Grill Cover for Broilmaster Grill with One Cup-Holder Side Shelf	2.....	\$54.00
DPA-110.....	Full Length Broilmaster Premium Grill Cover for P, H, and R with Two Cup-Holder Side Shelves	5.....	\$60.00
DPA-8.....	Full Length Broilmaster Premium Grill Cover for P, H, and R without Side Shelves	4.....	\$49.00
DPA-45.....	Built-In Kit Premium Grill Cover for P3, H3, and R3 Head..... Built-In Island Covers Head and Control Panel	4.....	\$47.00

Grill Tools

Model	Description	Wt.	List Price
DPA-20.....	Professional Quality 4-Piece BBQ Set with Spatula Tong, Fork, and Brush with Broilmaster Logo burned into Rosewood Handles	5.....	\$55.00
DPA-27.....	Cast Iron Smoking Box. Use with all Wood Chips	4.....	\$23.00
STTP-1.....	Digital Remote Temperature Probe and Timer	1.....	\$40.00
DPA-107.....	Grid Lifter Kit.....	3.....	\$16.00

Rotisseries

Model	Description	Wt.	List Price
DPA-11.....	Hugga-Rack Rotisserie with Flat Basket for P3/P4, T3, and H3	10.....	\$189.00
DPA-51.....	Heavy-Duty Standard Rotisserie for P3/P4, T3, and H3	7.....	\$125.00

Smoker Shutter

The Smoker Shutter is included with P3-SX. It is an accessory for all P3 grills. The Smoker Shutter should not be installed in an R3 grill. The Smoker Shutter will not fit the P4 Grill. Smoker Shutter may be used in H3-X only with DPA-101 Cooking Grids.

Model	Description	Wt.	List Price
DPA-100.....	Smoker Shutter for P3, T3, D3	11.....	\$150.00
DPA-27.....	Smoker Box.....	3.....	\$23.00

Flavor Screens & Briquets

Model	Description	Wt.	List Price
DPA-103.....	Flavor Screen for P3, H3, T3 grill head	5.....	\$109.00
DPA-104.....	Flavor Screen for P4 grill head.....	5.....	\$101.00
DPA-34.....	Charmaster™ Briquets	15.....	\$22.00
B067449	Briquet Rack (Porcelain Enameled Steel Rod) for P4, D4, G4.....	8.....	\$35.00
B070404	Briquet Rack for P5, D5 and S5.....	8.....	\$28.00
B101061	Briquet Rack (Porcelain Enameled Steel Rod) for P3, G3, D3, T3	8.....	\$40.00
B101279	Briquet Rack for R3B Only - Covers Blue Flame Burner Side		\$20.00
DPA116.....	Flare Busters Flat Ceramic for P3, T3, D3, H3 Grill Heads		\$60.00
	(Requires B101061 Rack)		
DPA117.....	Flare Busters Flat Ceramic for P4 and D4 Grill Heads		\$56.00
	(Requires B067449 Rack)		

Broilmaster Accessories

Hose & Regulator

Model	Description	Wt.	List Price
DPA-105.....	Natural Gas Regulator Kit.....	3	\$20.00
NG12	12 ft. Natural Gas Hose and Quick Connect.....	4	\$100.00

Grid Sets and Individual Grids

Cooking Grid Sets and Griddles

Model	Description	Wt.	List Price
DPA-101.....	Set of 3 Cast Stainless Steel Cooking Grids for Size 3 Grill Head	26	\$317.00
DPA-102.....	Set of 3 Cast Stainless Steel Cooking Grids for Size 4 Grill Head	26	\$270.00
DPA-111.....	Set of 2 Stainless Steel Rod Cooking Grids for Size 3 Grill Head.....	17	\$155.00
DPA-112.....	Set of 2 Stainless Steel Rod Cooking Grids for Size 4 Grill Head.....	17	\$130.00
DPP-103.....	Set of 2 Porcelain-Coated Cast Iron Cooking Grids for Size 3 Grill Head	27	\$155.00
DPP-12.....	Set of 3 Porcelain-Coated Cast Iron Cooking Grids for P4	26	\$139.00
DPA-113.....	Set of 2 Stainless Steel Single-Level Cooking Grids for H3 Grill Head		\$98.00
DPA-115.....	Stainless Steel Griddle for P3, H3, R3B.....		\$150.00
GR4	Griddle for Size 4 Grill Head.....		\$65.00

Single Porcelain-Coated Cast Iron Cooking Grids

B100497	Single Porcelain-Coated Cast Iron Cooking Grid for Size 4 Grill Head (3 required).....	\$48.00
B101053	Single Porcelain-Coated Cast Iron Cooking Grid for size 3 Grill Head (2 required)	\$78.00

Single Stainless Steel Rod Cooking Grids

B878361	Single Stainless Steel Rod Cooking Grid for S5/D5/P5 (2 required).....	\$55.00	
B101321	Single Stainless Steel Rod Cooking Grid for Size 4 Grill Head (2 required)	9	\$65.00
B101282	Single Stainless Steel Rod Cooking Grid for Size 3 Grill Head (2 required)	9	\$78.00

Single Cast Stainless Steel Cooking Grid

B100589	DPA101 Single Cast Stainless Steel Cooking Grid for P3/D3	\$108.00
B100591	DPA102 Single Cast Stainless Steel Cooking Grid (3 required)	\$84.00

Non-current production items are limited and are subject to substitution or deletion.

Porcelain-Coated Cast Iron and Cast Stainless Steel Grids should not be used in R3 or R3B grills.

* DPA115 Griddle, fits P3, H3 and R3B. Not for use with R3 grills

** GR4 Griddle fits P4. (Limited Quantities)

Casting Handles and Lid Stop

Model	Description	Wt.	List Price
DPA-106.....	Adjustable Lid Stop for Casting.....	3.....	\$24.00
B073097	Foam Grip for Stainless Steel Handles P3, H3, P4, P5		\$4.75
B076793	Short Stainless Steel Handle with Bolts and Grip for P3/P4/P5, S5/D5		\$60.00

Castings - Aluminum

Model	Description	Wt.	List Price
<u>P3, D3 (Black Only)</u>			
B100453	Casting, Top with Hinge Pins & Heat Indicator P3BL-1/P3BL/D3		\$222.00
B100460	Casting, Bottom with Hinge Pins P3BL-1/P3BL/D3		\$258.00
<u>T3, R3</u>			
B100453	Casting, Top with Hinge Pins & Heat Indicator for P3, D3, T3, R3.....		\$222.00
B101044	Casting, Bottom for P3, D3, T3, R3		\$258.00
<u>P4, D4 (Black Only)</u>			
B073286	Casting, Top P4BL/D4		\$175.00
B073287	Casting, Bottom P4BL/D4.....		\$240.00
<u>S5</u>			
B100062	Casting, Top, No Heat Indicator S5/ D5.....		\$131.00
B100063	Casting, Bottom, Painted S5/D5		\$142.00

Aluminum Casting - Unless noted, Top Casting includes hinge pins and heat indicator. Bottom Casting includes hinge pins; Castings may required modification when used on other than "P" and "D" series grills.

Non-current production items are limited and are subject to substitution or deletion.

Burners

Model	Description	Wt.	List Price
DPP-101.....	Stainless Steel Bowtie Burner Set P3/D3 (Pre-2011).....	5.....	\$106.00
DPP-102.....	Stainless Steel Bowtie Burner Set P4/D4	5.....	\$91.00
DPP-104.....	Set of 2 Stainless Steel Tube Burner T3.....	5.....	\$84.00
B101030	T3 Stainless Steel Burner (Single Piece, 2 required)	2.....	\$47.00
B101269	Infrared Burner (1 required for R3B, 2 required for R3).....	6.....	\$212.00
B053791	Stainless Steel Bowtie Burner Set P5, D5, S5.....	4.....	\$89.00
B100245	B692695BURNER Left Stainless Steel Burner 45° G2000DX.....		\$89.00
B100247	DPP1, G3EX, G1000EX Single Stainless Steel Burner.....		\$89.00
B100473	Twin Venturi only, new style P3, P4, D3, D4.....		\$21.00
B048474	S5 Venturi.....		\$24.00
B8467	Single Straight Venturi, DPP1		\$46.00
B885005	Double Gasket P3, P4, P5, D3, D4, D5		\$2.00
B72321	Single Gasket G3EX, G1000EX.....		\$1.00
B100477	Hardware Pack (Gasket & Screws) P3, P4, D3, D4.....		\$2.50
B906236	Burner Stabilizer Kit (pre-2002 Grills)		\$5.00

Non-current production items are limited and are subject to substitution or deletion.

Control Panel Assemblies & Labels

Model	Description	List Price
<u>P3</u>		
B100751	Control Panel & Label Assembly, Black (Electronic Ignitor).....	\$54.00
B101380	Control Panel & Label Assembly, Stainless Steel (Rotary Ignitor)	\$62.00
B101381	Control Panel & Label Assembly, Stainless Steel (No Ignitor).....	\$62.00
<u>P3, D3</u>		
B072686	Label (Electronic Ignitor)	\$11.00
B063235	Label (Rotary Ignitor)	\$11.00
B072705	Label (No Ignitor).....	\$11.00
<u>D3</u>		
B100753	Control Panel & Label Assembly, Black (Electronic Ignitor).....	\$44.00
B101386	Control Panel & Label Assembly, Black (Rotary Ignitor).....	\$44.00
B101387	Control Panel & Label Assembly, Black (No Ignitor)	\$44.00
<u>P4</u>		
B100752	Control Panel & Label Assembly, Stainless Steel (Electronic Ignitor).....	\$53.00
B101382	Control Panel & Label Assembly, Stainless Steel (Rotary Ignitor)	\$62.00
B101383	Control Panel & Label Assembly, Stainless Steel (No Ignitor).....	\$54.00
<u>P4, D4</u>		
B072197	Label (Electronic Ignitor)	\$10.00
B067445	Label (Rotary Ignitor)	\$10.00
B072704	Label (No Ignitor).....	\$11.00
<u>D4</u>		
B100754	Control Panel & Label Assembly, Black (Electronic Ignitor).....	\$44.00
B101388	Control Panel & Label Assembly, Black (Rotary Ignitor).....	\$44.00
B101389	Control Panel & Label Assembly (No Ignitor)	\$44.00
<u>P5, D5, S5</u>		
B070564	Label (Rotary Ignitor)	\$10.00
B072682	Label (Electronic Ignitor)	\$10.00
B101384	Control Panel & Label Assembly, Stainless Steel (Electronic Ignitor).....	\$54.00
B101385	Control Panel & Label Assembly, Stainless Steel (Rotary Ignitor)	\$54.00
<u>T3, R3</u>		
B101390	Control Panel & Label Assembly, Stainless Steel (Electronic Ignitor).....	\$54.00
B101028	Label (Electronic Ignitor)	\$16.00
<u>Side Burner</u>		
B072698	Label (Electronic Ignitor)	\$11.00
B070488	Side Burner Control Panel Label (Rotary Ignitor)	\$7.00

Non-current production items are limited and are subject to substitution or deletion.

Conversion Kits (Natural to Propane)

Model	Description	List Price
Kits include orifice(s) and gas conversion sticker.		
B100239	Conversion Kit (orifices and manifold)Orifice #55 for P3/P4/D3/D4 (Not for P3-X)	\$27.00
B100240	Conversion Kit (includes LP hose and regulator) for P3/P4/D3/D4 (Not for P4-X)	\$49.00
B100241	Conversion Kit (orifice only) Orifice #56 for S5/P5/D5	\$17.00
B100242	Conversion Kit - Twin Valve for P5/D5 (includes LP hose and regulator)	\$67.00
BCK1005	Conversion Kits for R3B	\$49.00
BCK1006	Conversion Kits for R3	\$49.00
BCK1007	Conversion Kits for T3	\$49.00
B101111	LP (One Orifice only #55 - 2 required)T3 (all)	\$5.00
B072622	LP Side Burner Conversion Kit (Orifice .89)	\$10.00

Conversion Kits (Propane to Natural)

Model	Description	List Price
Kits include orifice(s) and gas conversion sticker.		
B100243	Conversion Kit (manifolds & orifices) #48 for P3/D3/P4/D4	\$27.00
B101062	Nat (One Orifices only #48 - 2 required)T3 (all)	\$5.00
BCK1004	Conversion Kit for T3, R3	\$10.00
B100244	Conversion Kit for P3/D3/P4/D4	\$111.00
	Includes NG12 (Natural Gas Hose with Quick Connect)	
B100443	Conversion Kit for P5/D5/S5	\$122.00
	Includes NG12 (Natural Gas Hose with Quick Connect)	
B100444	Conversion Kit (orifices only) Orifice #52 for P5/D5/S5	\$13.00
B073270	Conversion Kit Side Burner Natural (Orifice 1.73)	\$10.00

Front Shelf Components

Model	Description	List Price
Items below do not include hardware		
B076726	Front Shelf, Stainless Steel (No Hardware) for P Series	\$98.00
B073261	Front Shelf Charcoal (No Hardware) for P3/P4/D3/D4	\$57.00
B100872	Front Shelf Black (No Hardware) for P3/P4/D3/D4	\$57.00

Front Shelf Brackets

Model	Description	List Price
Includes one bracket and hardware		
2002 and Newer Grills		
B100034	Stainless Steel Left Front Bracket (2002 P3/P4)	\$5.00
B100035	Stainless Steel Right Front Bracket (2002 P3/P4)	\$5.00
B100018	Stainless Steel Front Shelf Screw Bag for P3/P4	\$2.00
B100020	Front Shelf Screw Bag	\$2.00
Non-current production items are limited and are subject to substitution or deletion.		

Side Shelf Kits

Model	Description	List Price
Items below do not include hardware		
B076727	Side Shelf, Stainless Steel (No Hardware) for P3/P4/D3/D4/R3	\$93.00
B073264	Side Shelf Taupe	\$36.00
B100561	Side Shelf, Solid Surface (Black) (No Hardware) for P3/P4/D3/D4/R3	\$23.00
	Replacement Shelf for SKFPBLACK, SKFBLACK and SKBLACK Only	
B100002	Stainless Steel Side Shelf Hardware Bag	\$7.00
B100006	Side Shelf Hardware Bag for P3/P4	\$7.00
B100552	Hardware Kit for SKF Shelf	\$7.00
B100553	Hardware Kit for SKFBLACK Shelf.....	\$7.00
B100554	Hardware Kit for SKFP Shelf	\$7.00
B101322	Side Shelf, Black (No Hardware) for P3/P4/D3/D4/R3	\$25.00

Hardware

Model	Description	Wt.	List Price
B101235	Hardware Kit (LP) for P3/P4		\$71.00
B100853	Hardware Kit (Nat) for P3/P4		\$67.00
B101218	Hardware Kit (LP) for T3-2		\$71.00
B101219	Hardware Kit (Nat) for T3		\$67.00
B101309	Hardware Kit (LP) for R3		\$71.00
B101310	Hardware Kit (Nat) for R3		\$67.00

Kits include collector box kit, lid stop, foam grip and knob.

Heat Indicators

Model	Description		List Price
DPP-18	Heat Indicator - Broilmaster Logo (All Models)	1	\$17.00
DPP-18C	Heat Indicator, Coil Spring Style, No Logo	1	\$17.00
B100396	Heat Indicator - Probe Style, Broilmaster Logo		\$17.00
B070174	Heat Indicator Heavy-Duty Chrome Plated, Coil Spring Style, No Logo		\$13.00
B101118	Heat Indicator for T3/R3		\$15.00

Heat Shields

Model	Description		List Price
DPP-106	Stainless Steel Heat Shield/Wind Deflector for T3		\$29.00
DPP-6SS	Stainless Steel Heat Shield/Wind Deflector for P3/D3/P4		\$25.00

Non-current production items are limited and are subject to substitution or deletion.

Ignitors

Model	Description	Wt.	List Price
DPP-105.....	Ignitor Kit for T3 (B101101)	3.....	\$45.00
B101271	Infrared Ignitor (1 required for R3B, 2 required for R3).....	3.....	\$7.00
DPP-19.....	Replacement Rotary Piezo Ignitor	2.....	\$34.00
DPP-20.....	Electronic Ignitor Kit	2.....	\$40.00
B072218	Electronic Ignitor Head Only for P3/P4/P5/D3/D4		\$23.00
B100402	Collector Box Kit (Electronic Ignitor) for P3/P4/D3/D4		\$27.00
B056598	Rotary Ignitor and Knob only for D Series 1994-1999		\$26.00
B100401	Collector Box Kit for D Series 1994-1999.....		\$32.00
B058126.....	Collector Box only for S5.....		\$21.00
B100412	Collector Box Kit		\$29.00
B056596.....	Push Button Ignitor Kit for S5		\$35.00
B100446	Collector Box Only (Electronic) for P3/P4.....		\$23.00
B056482	Collector Box Only (Rotary) for D Series.....		\$33.00
B101212	Collector Box (2 Required) for T3.....		\$21.00
R854.....	Piezo Ignitor.....		\$6.00

Non-current production items are limited and are subject to substitution or deletion.

Mounting Repair Parts

Model	Description	List Price
<u>Carts</u>		
B063105	8" Gray Plastic Wheel for PC Cart	\$9.00
B100857	Hardware Bag (B072216) for PC Cart	\$27.00
B100858	Hardware Bag (B072230) for DC Cart	\$27.00
B100856	Hardware Kit for GC3/GC4	\$22.00
<u>Patio Post</u>		
All Posts come with hardware (Nuts and Bolts)		
B878517	26" Square replacement post only (Black) for U26/U22	\$44.00
B070283	26" Square replacement post (Stainless Steel) for U26SS	\$98.00
B074604	Cast Iron Base only (Black) for U26	\$131.00
B074609	Stainless Steel Post Assembly with hardware for U26SS	\$164.00
B074605	Black Post Assembly complete with hardware for U26	\$120.00
B100521	Hardware Bag for U26 Mount (B056969)	\$27.00
B100523	Hardware Bag for U26/U26SS (B070199)	\$33.00
<u>In-Ground Post</u>		
All Posts come with hardware (Nuts and Bolts)		
B825615	48" Square replacement post only (Black) for P48A	\$49.00
B064573	48" Square replacement post only (Stainless Steel) for U48A	\$128.00
B100522	Hardware Bag for P48 In-Ground Post (B073098)	\$25.00
B100520	Hardware Bag (Stainless Steel) for U48 Post	\$22.00

Post and Cart Update Kit

Model	Description	List Price
B101546	Stainless Steel Cover Plate for Posts - SS26-P, SS48-G, BL26-P and BL48-G	\$43.00
	(Required for R3 and T3. P3 Grill prior to 2011 will not fit.)	
B101547	Stainless Steel Control Housing for PCB-1 and DCB-1 Cart	\$43.00
	(Required for P3, R3, and T3 Grill Heads 2010 or older)	
B101122	Painted Control Housing for Painted Post for BPB26/48	\$12.00
B101123	Stainless Steel Control Housing for Stainless Steel for SSPB26/48	\$43.00

Pull Handles

Model	Description	List Price
B073100	Pull Handle Stainless Steel (All Models)	\$62.00

Includes one pull handle and hardware

Non-current production items are limited and are subject to substitution or deletion.

Rotisserie Parts

Model	Description	List Price
<u>DPA51</u>		
B076850	Meat Holder (2 required)	\$11.00
B885340	Locator Sleeve	\$10.00
B076851	Spit Rod	\$28.00
B076854	Handle & Thumb nut	\$8.00
B076852	Counterbalance Assembly	\$10.00
B053585	Hugga-Kit, turns standard Rotisserie into Hugga-Rack®. Includes Hugga-Grids, frame and hardware	\$152.00
B100932	Replacement Motor (Black)	\$82.00
B100078	Motor Bracket (DPA23)(B662318)	\$5.00
B885340	Locator Sleeve	\$10.00
<u>Hugga-Rack® (DPA11)</u>		
B885322	Meat Rack (2 required)	\$26.00
B053825	Spit Rod (2 required)	\$29.00
B906222	Threaded Rod (4 required)	\$5.00
B906213	Center Frame	\$52.00
B885233	Grid Basket (ends only - requires B885232)	\$22.00
B885232	Grid Basket (sides only - requires B885233)	\$22.00
B066650	DPA11 Hugga-Rack® Rotisserie Hardware Bag	\$55.00

Non-current production items are limited and are subject to substitution or deletion.

Valves

Model	Description	List Price
B100514	Twin Natural Valve Assembly for P3/P4/D3/D4 (male flare fitting) with Stainless Steel Mounting Bracket	\$98.00
B100515	Twin Propane Valve Assembly for P3/P4/D3/D4 (male flare fitting) with Stainless Steel Mounting Bracket	\$98.00
B101112	Valve & Manifold Natural for T3	\$98.00
B101040	Valve & Manifold LP for T3	\$98.00
B076790	LP Twin Propane Valve for P3/P4/D3/D4	\$37.00
B076789	Natural Twin Natural Valve for P3/P4/D3/D4	\$37.00
B069751	LP Twin Propane Valve 45° for P5/D5/S5/S2	\$32.00
B069750	Natural Twin Natural Valve 45° for S5	\$32.00
B070483	LP Side Burner Single Valve for DPSBSS	\$36.00
B069002	LP Manifold with orifice for P3/P4/D3/D4	\$14.00
B069003	Natural Manifold with orifice for P3/P4/D3/D4	\$14.00

Valves Knobs

Model	Description	List Price
B070084	Black Knob (New Style) for P3/P4/P5/D2/D3/D4/D5/DPSBNSS/DPSBPSS	\$5.00
B662327	Universal Knob for G3/G4/G1000	\$5.00
R3918	Knob-Main & Side Burners for SSG-36-1/T3	\$7.25

Warming Racks

Model	Description	List Price
B072695	Stainless Steel (Retract-A-Rack, Fold Out) for P3/D3/T3/R3	\$62.00
B072696	Stainless Steel (Rack Only) for P4/D4	\$40.00
B072697	Chrome-Plated Warming Rack (Non-Folding) for P5/D5/S5(B878363)	\$39.00
B060757	Chrome-Plated Retract-A-Rack (Non-Folding) for P4/D4	\$21.00
B100594	Chrome Warming Rack for D3/P3/T3	\$33.00

Non-current production items are limited and are subject to substitution or deletion.

Miscellaneous Parts

Model	Description	Wt.	List Price
<u>Grease Cups/Trays</u>			
B072215	Grease Cup Bracket 2000 Model (Cart Models)		\$5.50
B100526	Grease Catcher Can		\$6.00
B100545	Grease Cup Bracket (Post Mount Only)		\$10.00
B060336	Grease Tray Bracket for S5/D5		\$5.75
B067800	Stainless Steel Sliding Grease Tray 1999 Model		\$23.00
B072206	Stainless Steel Drip Pan Drawer Complete 2000/2001 Model		\$23.00
B067881	Painted Drip Tray 1999 Model		\$17.00
B072211	Drip Pan Drawer Complete		\$17.00
B060337	One Disposable Aluminum Grease Cup		\$.50
<u>Hose/Regulators</u>			
B055268	Hose & Regulator with Q.C.C. 1 Fitting for all LP Models to 1998 (male pipe fitting)		\$39.00
B069756	Hose & Regulator with Q.C.C. for all LP Models to 1999 (female pipe fitting)		\$39.00
B059605	Hansen Quick-Connect only (Natural models) (formerly 10006PSDC2HKR)		\$45.00
<u>Paint</u>			
DPA-18BL	Grill Paint, Hi Temp. Black, 12 oz.	2	\$16.00
DPA-18HG	Grill Paint, Hi Temp. Hunter Green, 12 oz.	2	\$16.00
DPA-18GY	Grill Paint, Hi Temp. Gray, 12 oz.	2	\$16.00

BROILMASTER®
PREMIUM GAS GRILLS

THE MOST DURABLE GRILL
KNOWN TO MAN

Broilmaster Premium Gas Grills is a
Registered Trademarks of
Empire Comfort Systems Inc.
918 Freeburg Avenue
Belleville, IL 62222
www.broilmaster.com



00743-110810

Revised 11/8/10