

# BUNGALOW

36" AND 42" WOOD BURNING FIREPLACES  
B36 and B42 Model Series

Spacious Beauty,  
Affordable Quality



*Stylish extras for homeowners... better value for builders*

FIREPLACES  
FOR BUILDERS  
**Fmi**

## Beautiful Features, Outstanding Value

Our Bungalow models set a high standard for wood-burning quality, performance, and economy. They include a wide variety of models with spacious, full brick openings, plus features homeowners will love!

### Homeowner Highlights:

- **Eye-dazzling beauty**—Features clean, full brick lined interior, tough, textured powder coat finish and solid steel log grate.
- **Variety of choices**—Available in fully insulated, smooth faced or louvered, circulating models.
- **Attractive accessories**—There's an array of eye-catching extras, including black, brass or platinum bi-fold glass doors and more.

### Builder Benefits:

- **Secure, straight installation**—We've added solid full-length nailing flanges and drywall stops.
- **Value**—The Bungalow offers excellent quality at an economical price.



B36 is a full smooth faced model.



B42L offers louver-faced option for warm air circulation.

### Bungalow Fireplace Product Offering Summary

36" & 42" Wood Burning Fireplace Models Available With The Following:

- 36" and 42" Width Opening Sizes
- Smooth or Louvered Faced Models
- Fully Insulated Option



*Bungalow models install straight and secure, thanks to added full-length nailing flanges, and drywall stops.*

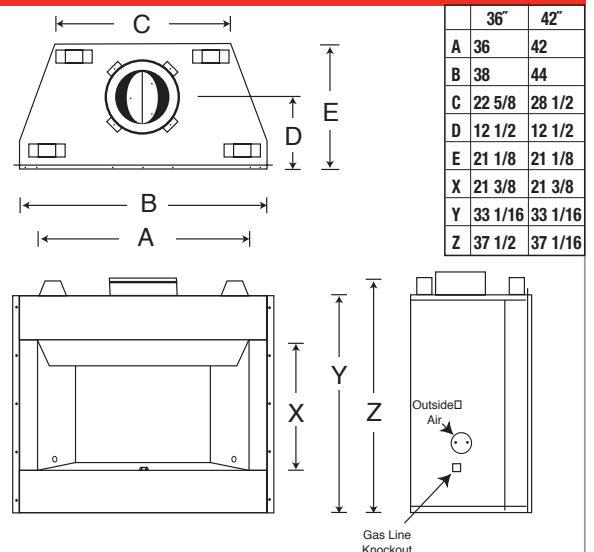


*Every Bungalow features full refractory brick liner and chain mesh firescreen.*

### Accessory Offering Summary

- Extruded Aluminum Bi-Fold Glass Doors (Black, Brushed Brass & Platinum)
- Outside Combustion Air Kits
- Fan Kits

### Dimensions



DESA International  
www.desaint.com

For more information, call (800) 888-2050