

The Builder Series

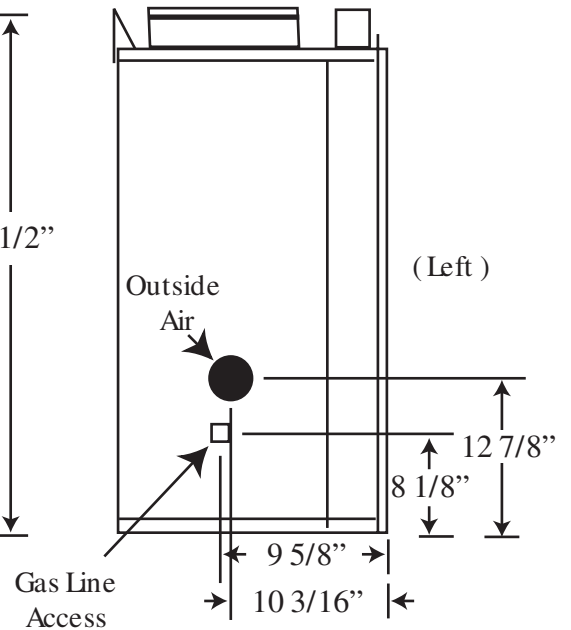
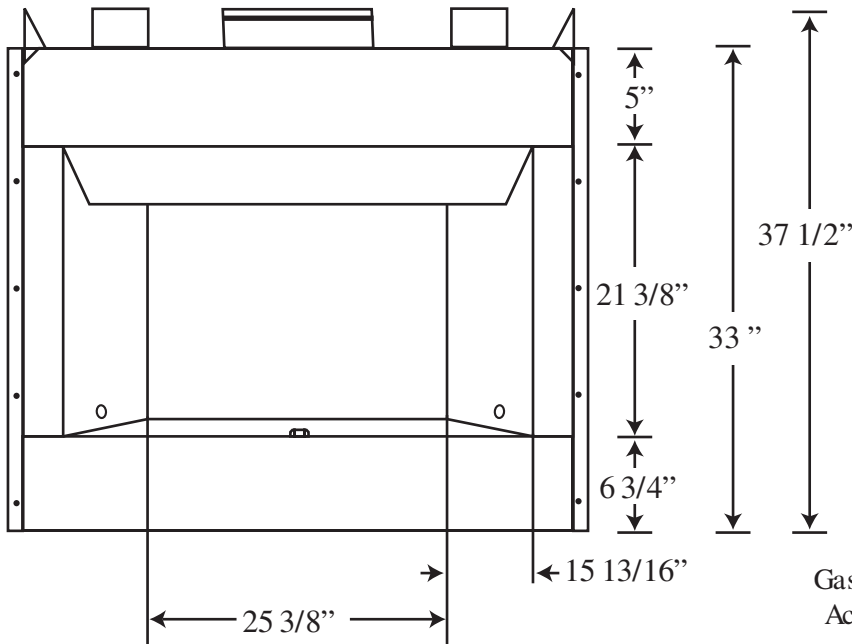
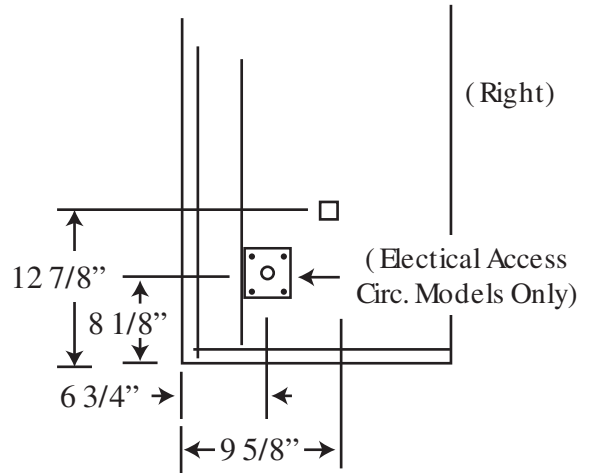
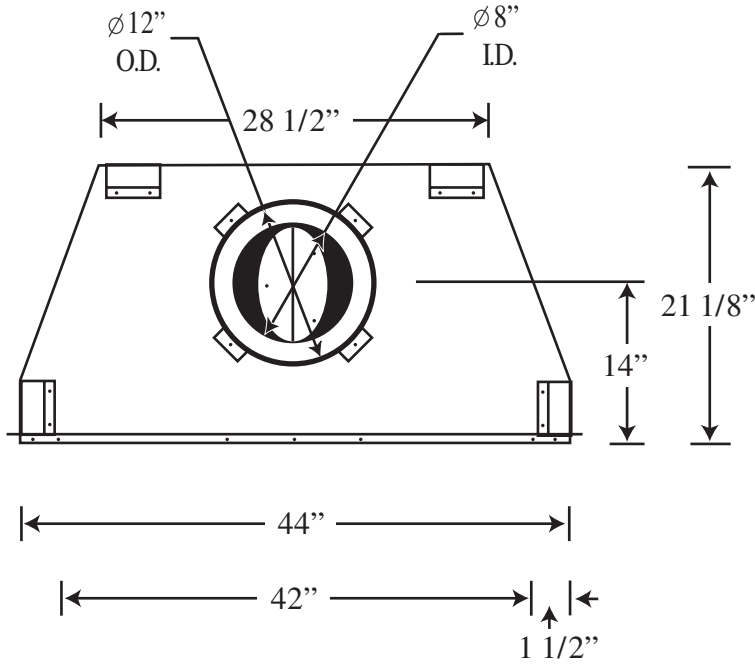
BUNGALOW

UL127 Certified

42" Woodburning Fireplace

Full Length Nailing Flanges

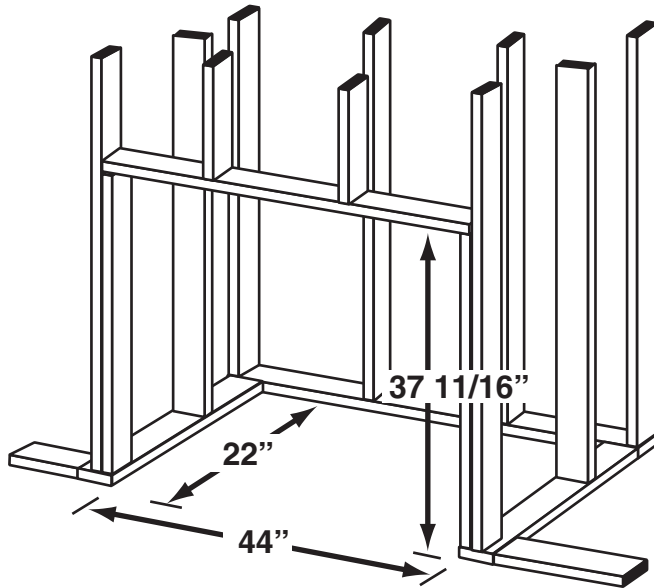
Vent Size	8"
Min. Pipe Clearance	2"
Min. System Height	14' 6"
- w/ Single O set	11' 6"
- w/ Two O sets	22' 0"
Max. Dist. Between Elbows	6' 0"
Max. System Height	50' 0"



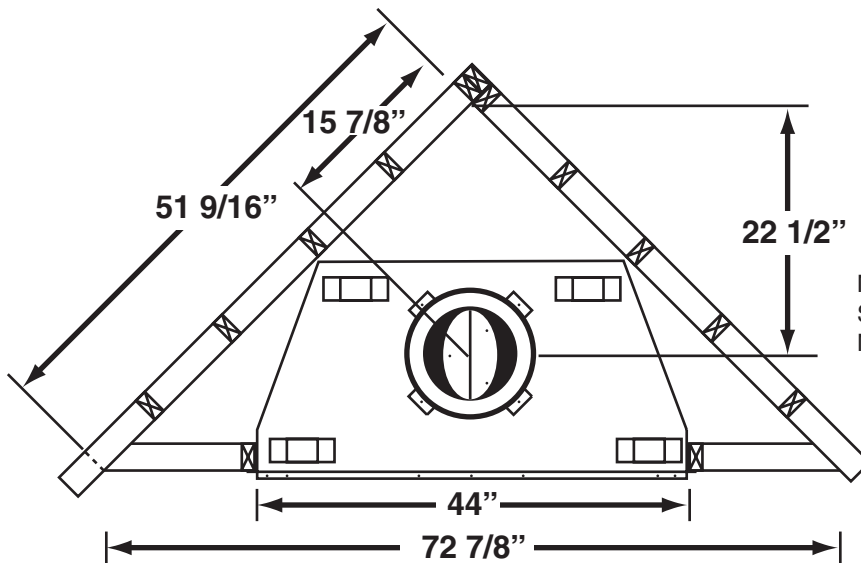
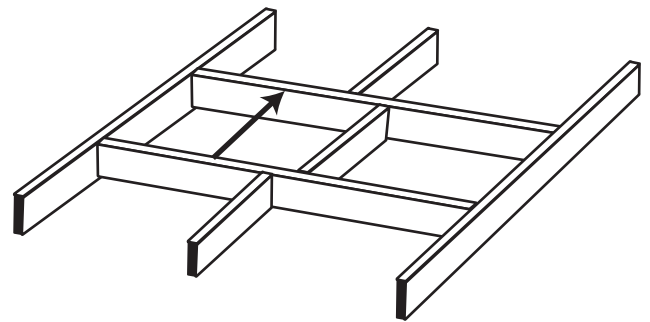
BUNGALOW

42" Woodburning Fireplace

Framing Dimensions



Ceiling / Roof Opening		w/ 30° Offset
Pitch	Opening	
Flat	17"	23"
0 -6/12	19 1/8"	N/A
6/12 - 12/12	24 1/4"	N/A



Maintain 3/4" Clearance at Sides and Back of Fireplace. Not Required at Nailing Flange

NOTE:

A Hearth Extension Projecting a Minimum of 16" in Front of, and 8" Beyond Each Side of the Fireplace Opening is Required to Protect Combustible Floor Construction in Front Of the Fireplace. See Installation Instructions for Complete Information

NOTE:

Built-in Features Such as Mantels, Bookshelves, etc. Made of Combustible Materials Must Maintain Minimum Clearances from the Fireplace. See Installation Instructions for Complete Information

"Product design, features and specifications are subject to change at any time. Refer to current product instructions prior to installation."