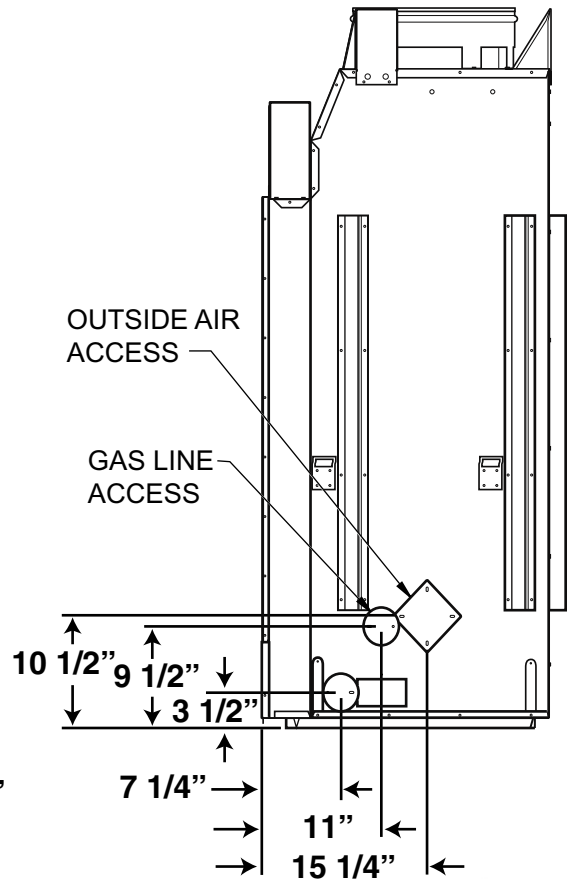
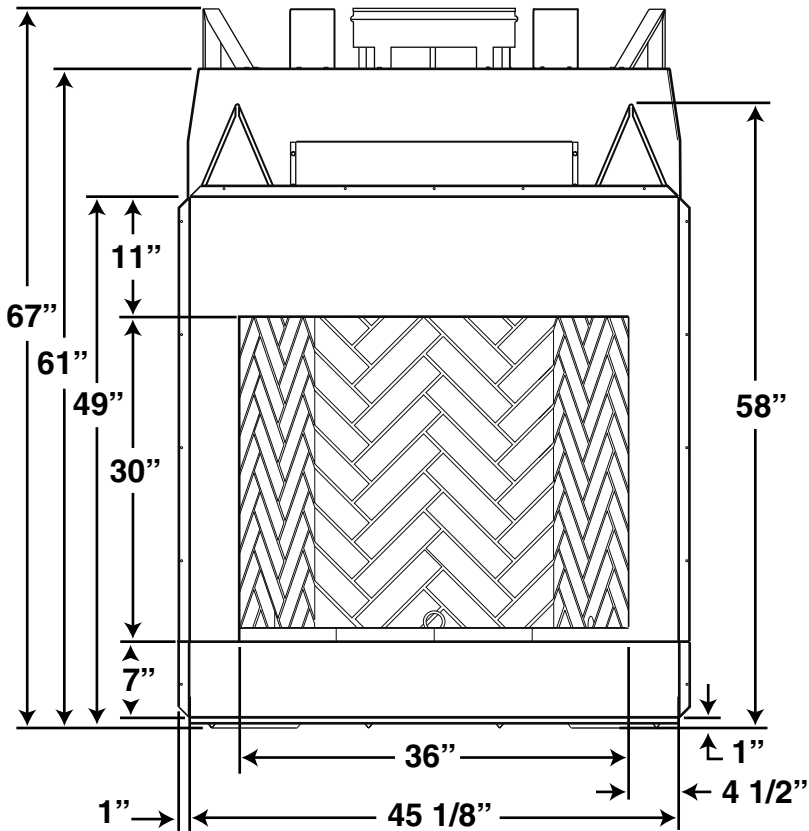
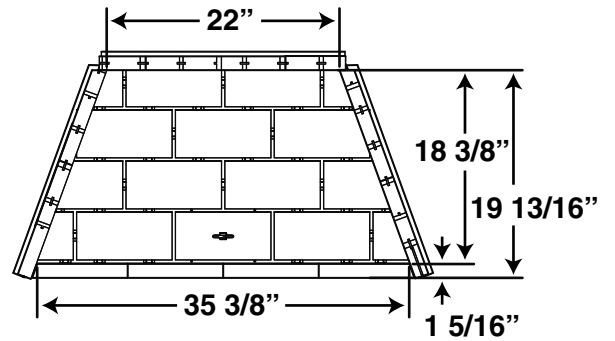
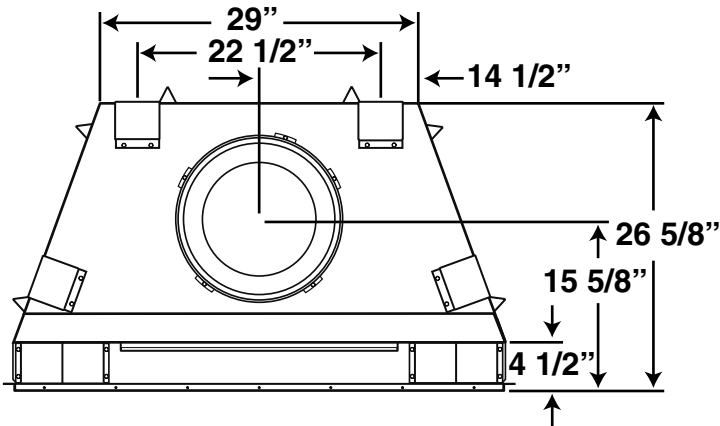


Cavalier

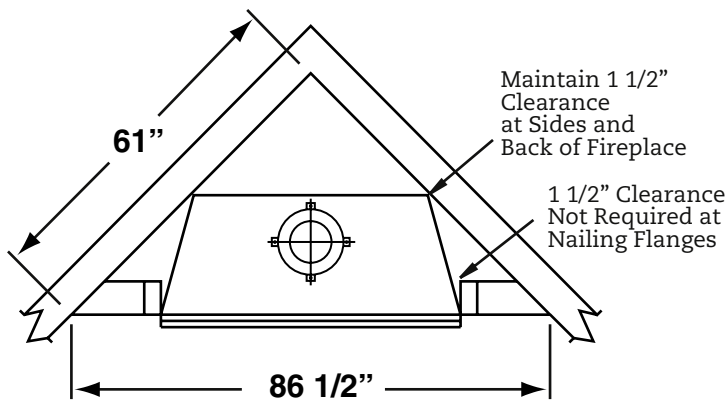
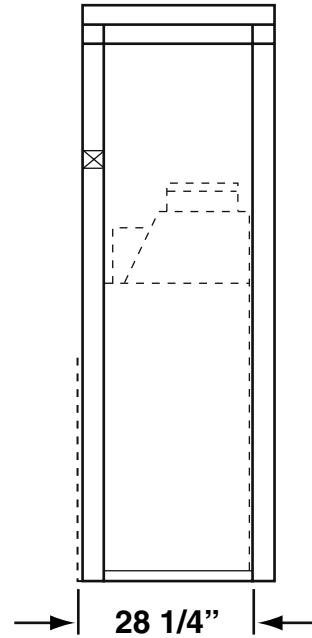
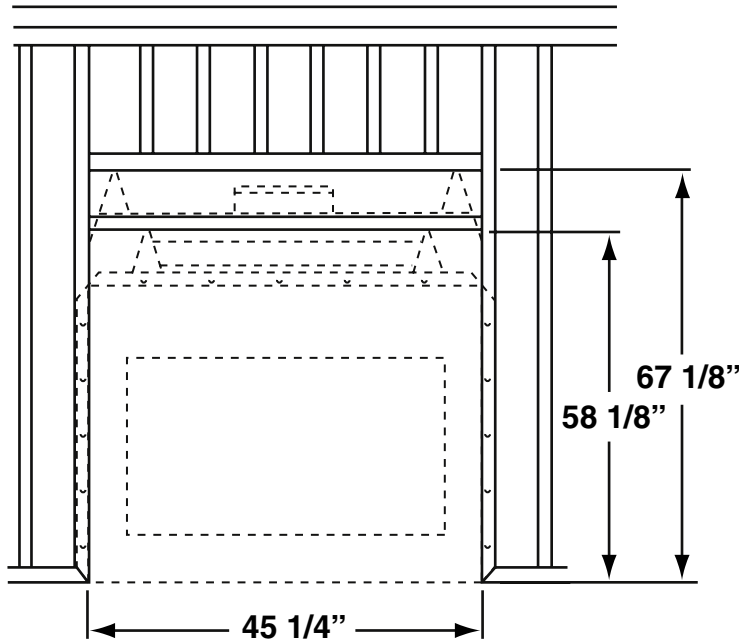
- 36" Woodburning Fireplace
- Mosaic Masonry™ Technology
- Full Masonry Design
- Full Length Nailing Flanges
- Certified for Outdoor installation



Cavalier

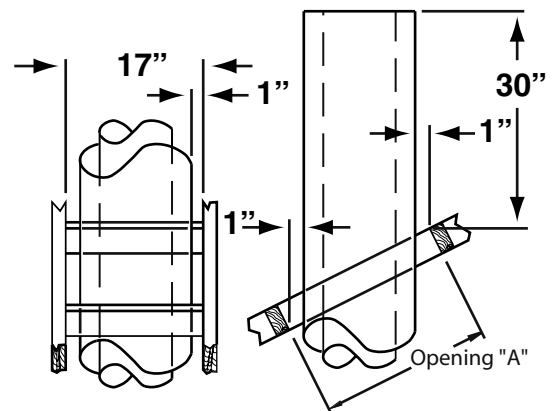
36" Woodburning Fireplace

Framing Dimensions



| Ceiling/ Roof Opening Chart | | | |
|-----------------------------|-------|------------------|-------------------------|
| Pitch | Slope | Opening "A" Max. | Used Flashing Model No. |
| Flat | 0° | 17" | V6F-10DM |
| 0-6/12 | 26.6° | 19" | V6F-10DM |
| 6/12- 12/12 | 45.0° | 24" | V12F-10DM |

Minimum Measurements



NOTE:

Built-in Features Such as Mantels, Bookshelves, etc. Made of Combustible Materials Must Maintain Minimum Clearances from the Fireplace. See Installation Instructions for Complete Information.

“Product design, features and specifications are subject to change at any time. Refer to current product instructions prior to installation.”

