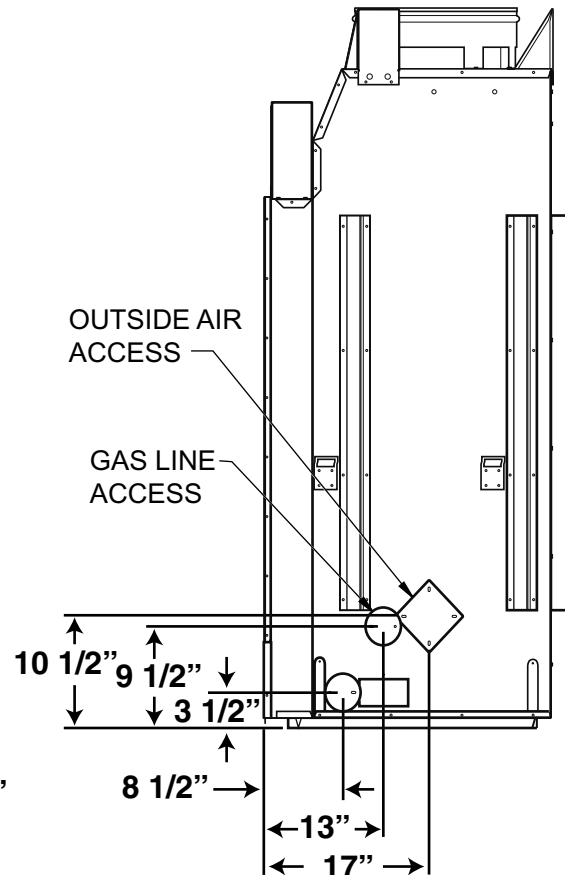
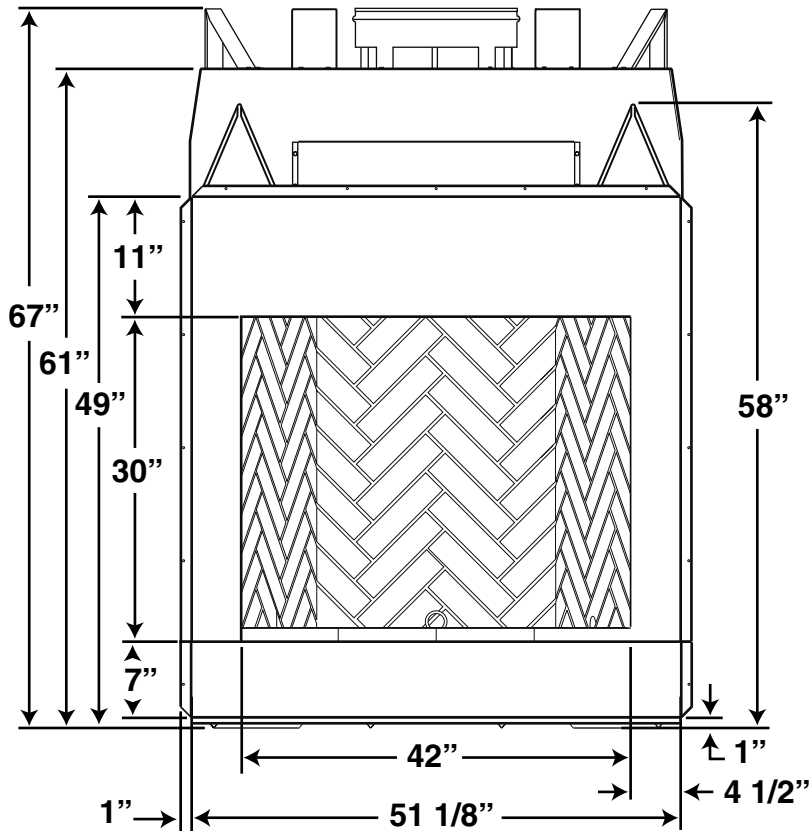
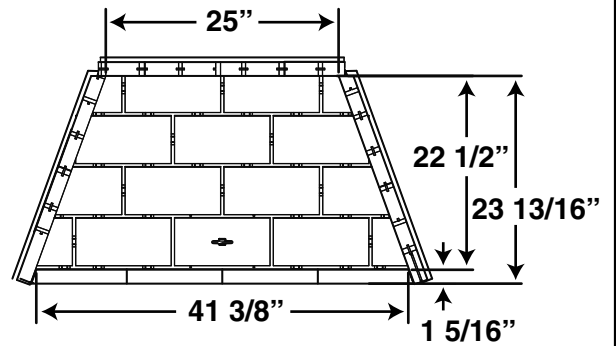
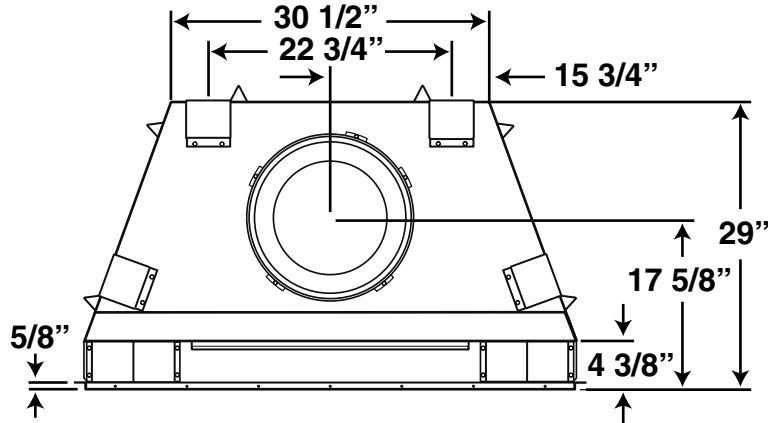


# Cavalier

● **42" Woodburning Fireplace**

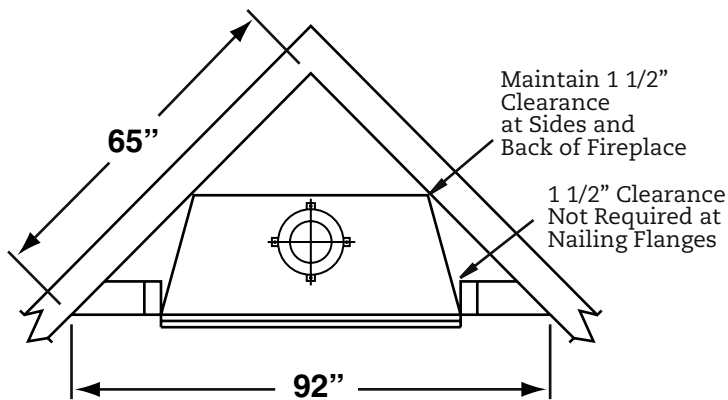
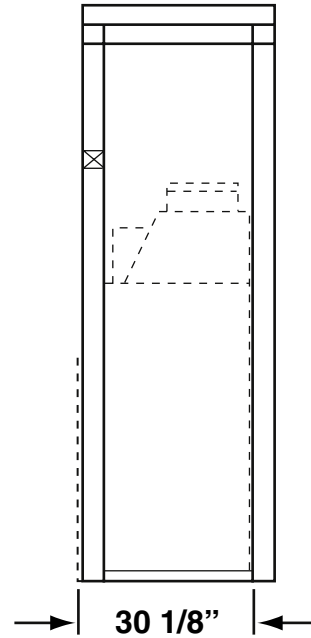
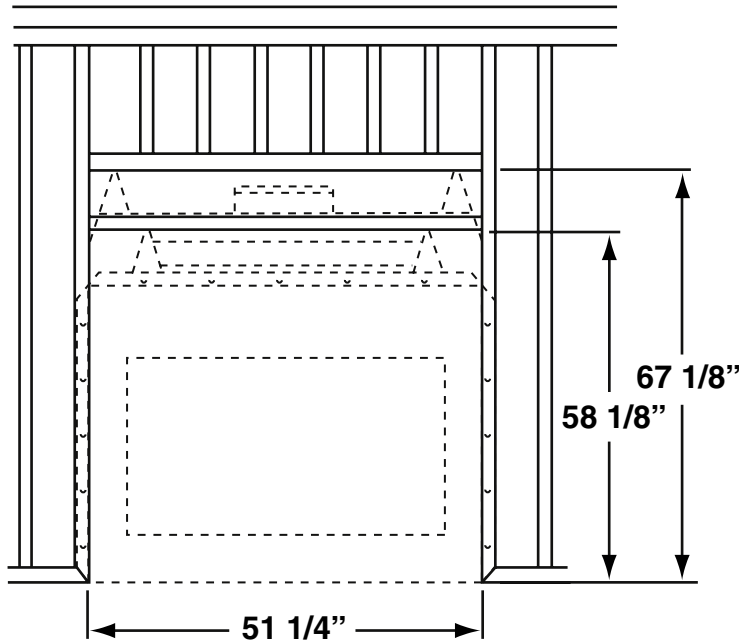
- Mosaic Masonry™ Technology
- Full Masonry Design
- Full Length Nailing Flanges
- Certified for Outdoor installation



# Cavalier

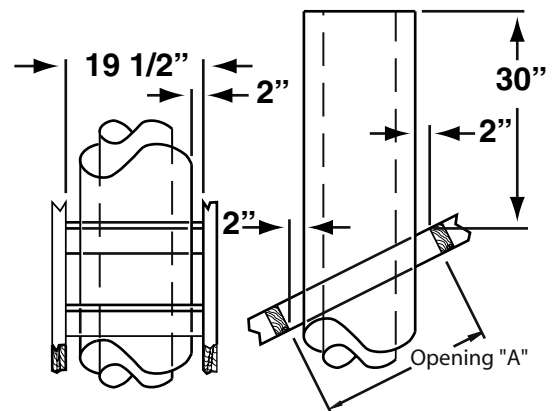
42" Woodburning Fireplace

## Framing Dimensions



Ceiling/ Roof Opening Chart			
Pitch	Slope	Opening "A" Max.	Used Flashing Model No.
Flat	0°	19.5"	V6F-10DM
0-6/12	26.6°	22"	V6F-10DM
6/12- 12/12	45.0°	27"	V12F-10DM

### Minimum Measurements



**NOTE:**

Built-in Features Such as Mantels, Bookshelves, etc. Made of Combustible Materials Must Maintain Minimum Clearances from the Fireplace. See Installation Instructions for Complete Information.

“Product design, features and specifications are subject to change at any time. Refer to current product instructions prior to installation.”

