

Chalet

THE RENAISSANCE SERIES

VENT-FREE FIREPLACES SYSTEMS
L32/ L36/ L42 Model Series

Ultimate Blend
of Design,
Features and
Flexibility



Stylish extras for homeowners...Better value for builders

FIREPLACES
FOR BUILDERS
Fmi

Warm Up To A High-Efficiency Gas Fireplace

There's a tremendous demand for vent-free gas heaters because at 99%, they're the most energy-efficient of all hearth products, and can be installed virtually anywhere. FMI's new "Chalet" vent-free gas fireplace systems deliver these benefits and more. They combine full-sized vent-free fireplaces with the safe, reliable warmth and efficiency of vent-free gas logs; all in one beautiful and complete package.

Homeowner Highlights:

■ **Visual Appeal**— The Chalet features the industry's finest colored and textured refractory brick liner (except 32") for a true masonry look. Integrated gas log sets feature intricately detailed bark, split wood and charred textures. Random dancing yellow flames with glowing ember beds and hot spots complete the full and realistic flame picture. Smooth or louver-faced options add to the endless architectural surround and mantel possibilities.

■ **Variety of Sizes, Design & Control Systems**— Available in 3 popular sizes, there's a perfect Chalet for any home. All controls are hidden to eliminate hearth clutter and maximize the real woodburning feel. Choices include a variety of premium single and dual stainless burner designs with variable manual, or remote ready control with push button ignition.

■ **Dollar Saving Efficiency**—All Chalet vent-free fireplace systems provide 99% energy efficiency which means dramatic energy savings and lots of comfortable heat.

Builder Benefits:

■ **Economical and Versatile**— Installation costs come way down when you eliminate venting and chase construction. Particularly in multi-story housing.

■ **Space Saving Installation**—With no chimney to worry about, an FMI Chalet vent-free fireplace can be added just about anywhere, and is an extremely economical way to include a complete hearth feature to any floorplan.



L32HN includes full refractory in our most economical and space-saving chassis size.



L42LZNR features premium logs and burner with electronic ignition and premium rolled louvers.

(On Cover) L36EPR Clean-faced fireplace includes remote ready control with textured, warm red refractory liner.

Chalet Product Offering Summary

- 32", 36" & 42" Sizes
- Louver or smooth-faced designs
- Variable Manual & Remote Ready Control options with Piezo or Electronic Ignition
- Natural Gas or Propane Applications
- Approved ANSI Z21.91 & ANSI Z21.11



Chalet log and burner systems feature intricately detailed log arrangements with random, dancing flames with glowing coals and embers.



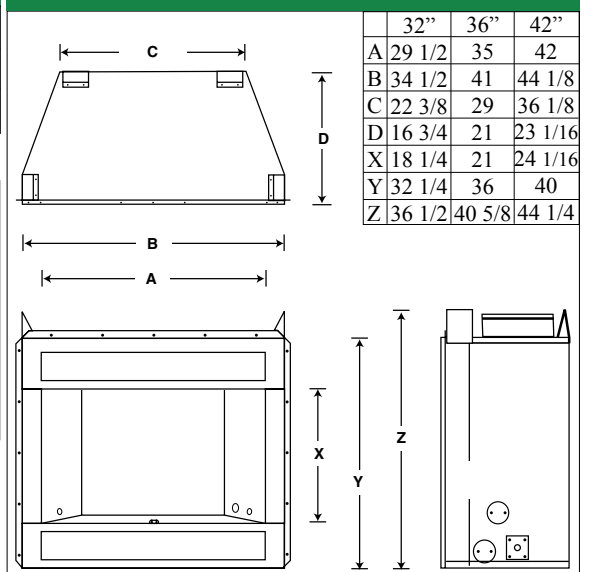
The Chalet's standard features include the industry's finest textured refractory brick lining (except 32").

Size	BTU(NG)	BTU(LP)
32"	16,000 - 27	16,000 - 27
36"	20,000 - 33	20,000 - 33
42"	21,500 - 36	21,500 - 36

Accessory Offering Summary

- Remote Control Kits
- Smooth and Louvered Panels
- Fireplace Hoods
- Cleaning Kit
- Decorative Ash Bed / Control Cover Kit

Dimensions



FMI PRODUCTS, LLC
www.fmiproducts.com
For more information (866) 328-4537