

Chateau

THE RENAISSANCE SERIES

36" AND 42" DIRECT VENT GAS FIREPLACES
KC36 and KC42 Model Series

Ultimate Blend of
Beauty, Features
and Technology



Stylish extras for homeowners...Better value for builders

FIREPLACES
FOR BUILDERS
Fmi

Timeless Beauty, Convenient Features — And The Latest Technologies

Fully loaded and truly impressive, Fmi's Chateau direct vent sets tough new standards for any gas fireplace. The innovative Chateau captures all the latest visual and functional technologies, features and conveniences available. It's the flagship gas product of our exciting new Renaissance Series, which features a variety of brand new looks, with common sizing and construction across the entire product line...plus beautiful new features homeowners will love!

Homeowner Highlights:

- Distinctive Realism**—Features exquisite "mature" fire presentation with colorful, random dancing flame patterns, massive new ceramic fiber gas log set with deep glowing coals and embers.
- Flexibility**—All Fmi Renaissance Series direct vent fireplaces are built on the same chassis and burner platform. The *Versa-Fire™* modular design allows the homeowner to upgrade the burner and log system at any time.
- Massive Viewing Area**—Tall profile, captures the industry's largest glass door viewing area in both 36" and 42" size categories.
- Operation and Maintenance are a Breeze**—Operates from wall switch or remote control. Hinged door swings open for easy maintenance and never needs adjustment.

Builder Benefits:

- Modular Design**—Fmi's unique *Versa-Fire™* platform allows the builder the opportunity to install fireplace chassis' in the framing stage, without having to set the burner and log system until finish. This minimizes jobsite loss or damage, with the flexibility of upgrading models right up to closing.
- Simple, Secure, and Straight Installation**—Chateaus include fully unitized logsets for ease of installation, and they frame straight and sturdy every time with full-length drywall stopping nailing flanges.
- Venting Options**—The Chateau's 45° slant back design lets you choose between horizontal and vertical venting of our 5" - 8" pipe for versatile, painless installation in any location.
- More Standard Features**—Realistic, colored and textured refractory brick liner, premium rolled louvers, tough, powder coat finish, Flex gas connector with shut-off valve and pre-wired, dual access electrical "J" box are all standard.



KC36N features natural gas and stacked design textured and colored brick-lined interior.



KC42EPH is our 42" electronic propane gas model with textured herringbone pattern brick-lined interior.

Chateau Product Offering Summary			
<ul style="list-style-type: none"> 36" and 42" Viewing Area Widths Millivolt or Electronic Ignition Natural Gas or Propane Fuel 	<ul style="list-style-type: none"> Finished, or Brick Refractory Lined Interiors (Color / Textured on 36" models) All Fireplaces use 5" - 8" Pipe. Approved ANSI Z21.88 		



Chateau models feature massive, mature wood fire presentation with gorgeous glowing ember bed burner with beautiful cast iron grate treatments and andirons

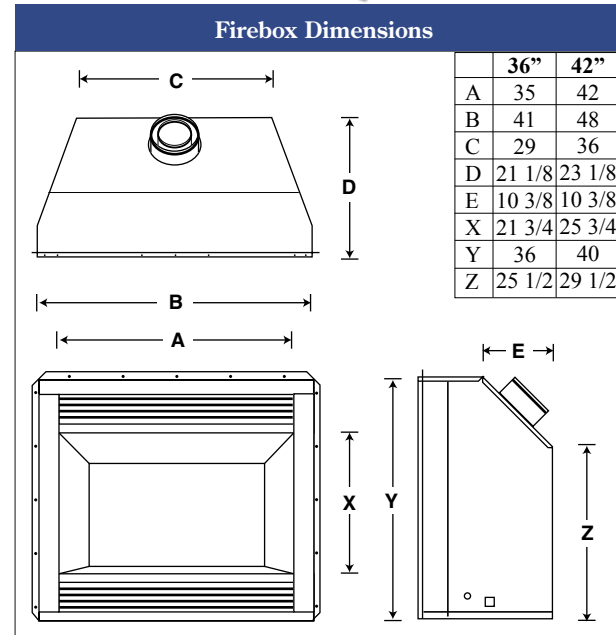


Hinged tool-less entry glass door swings open for easy maintenance and never needs adjustment.

Size	BTU(NG)	BTU(LP)
36"	23,000 - 33	22,000 - 31
42"	27,000 - 38	25,000 - 36

Accessory Offering Summary

- Custom Designed Mantels
- Designer Door Facings
- Multi-Function Remote Controls Kits
- Decorative Filigree Top and Bottom Panels in Black, Brass, or Platinum
- Rolled Louver Trim (Brass & Platinum)
- Perimeter Trim Kits (Black, Brass & Platinum)
- Heat Circulating Fan Kits
- Heat Deflection Hoods
- Fuel Conversion Kits
- standard or high altitude models available



DESA, FMI-LLC
www.fmifireplace.com
(866) 328-4537



Printed in U.S.A.