

DVF SERIES

36" Multi-View Direct Vent Gas Fireplaces

Ultimate Blend
of Design,
Features and
Flexibility



Stylish extras for homeowners...Better value for builders

FIREPLACES
FOR BUILDERS
Fmi

Timeless Beauty, Economical Efficiency — Unlimited Possibilities

Fmi's direct-vent gas fireplaces are the ideal match for today's energy-efficient homes. And when architecture demands something really creative, we're ready then too. See thru, left or right corners, peninsula... whatever the job requires, Fmi has the right fireplace... all with beautiful new features homeowners will love!

Homeowner Highlights:

- **Distinctive looks**—Each model features multiple viewing angles of the exquisite campfire style round oak log set and dancing yellow flame patterns
- **Operation and maintenance are a breeze**—Operates from wall switch or remote control. Hinged door swings open for easy maintenance and never needs adjustment.
- **Attractive accessories**—You have an array of attractive extras, including standard and multi-function remote controls, heat circulating fan kits, brass louvers, and much more.

Builder Benefits:

- **Secure, straight installation**—We've included sturdy nailing flanges and drywall stops for easy, consistent installation and clean finish.
- **Venting options**—The 45° slant back design lets you choose between horizontal and vertical venting of our 5"- 8" coaxial pipe for painless installation in any location.
- **More standard features**—Ceramic glass, refractory brick liners, premium rolled louvers, piezo ignition, flex gas connector, shut-off valve and pre-wired "J" box are all standard.



DVF36ST See thru Model



DVF36PN Peninsula Model

Fireplace Product Offering Summary

Direct Vent Multi-View Fireplaces Available with the Following:

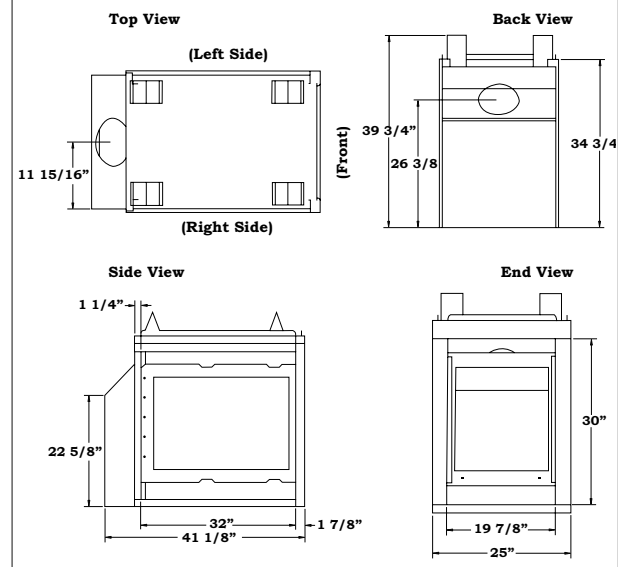
- Left or right corners, see thru, and peninsula models
- Millivolt or Electronic Ignition
- Natural Gas or Propane Fuel
- All Fireplaces use 5" - 8" coaxial Direct Vent Pipe

Accessory Offering Summary

- Heat Circulating Fan Kits
- Heat Deflection Hoods

Size	BTU(NG)	BTU(LP)
36"	35,000-23,300	31,000-20,000

Firebox Dimensions



DESA, FMI-LLC
www.fmifireplace.com
(866) 328-4537



Printed in U.S.A.