

SQUARE TOP TERMINATIONS

INSTALLATION INSTRUCTIONS

ET-8DM(HT), ETO-8DM, ETL-8DM(HT), ETLO-8DM AND ETL-10D

- Construct chase as illustrated in Figure 1.
Note: The shortest vertical side must be at least 30" high and the minimum inside dimension must be at least "Y" (as shown in Figure 1).
- Add pipe sections to chimney system as outlined in the fireplace installation instructions until the last piece of chimney is a maximum of 12" below top of chase (see Figure 2).
- Fabricate a flashing having an "X" (see figure 1) diameter hole centered over chimney end with a 2" collar around hole (see Figure 3). Attach noncombustible spacers at each corner and place flashing over chase.
- Secure flashing through sides with 8-penny nails or sheet rock screws.
- Place galvanized sleeve through hole in flashing and around last section of chimney (see figure 4).

- Place termination cap over opening. Slip the stainless steel inner pipe into stainless steel chimney section. Lower termination assembly until cap rests evenly over flashing hole. Secure cap at each corner with sheet metal screws (see figure 5).

Termination	X	Y	Z
10" System	16.5"	17"	1"
10" System	16.5"	19"	2"
8" System	14"	14.5"	1"
8" System	14"	16.5"	2"

Figure 1 - Dimensions Chart

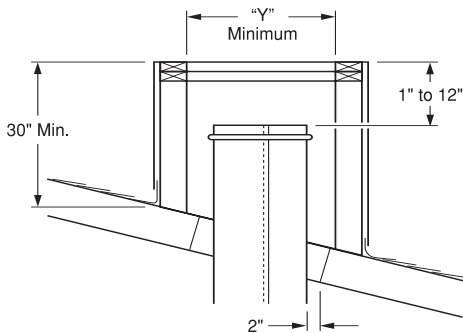


Figure 2 - Constructing Chase

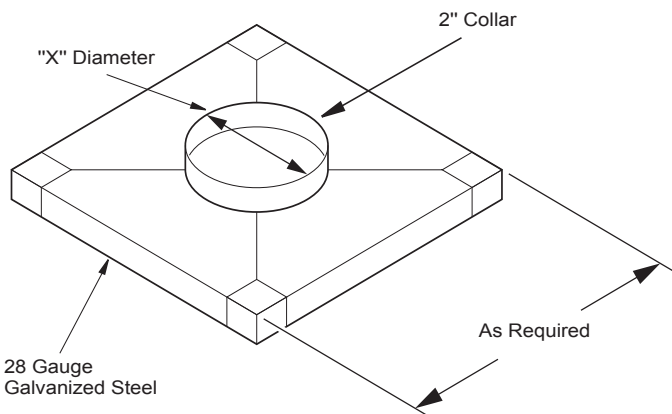


Figure 3 - Constructing Chase Top Flashing

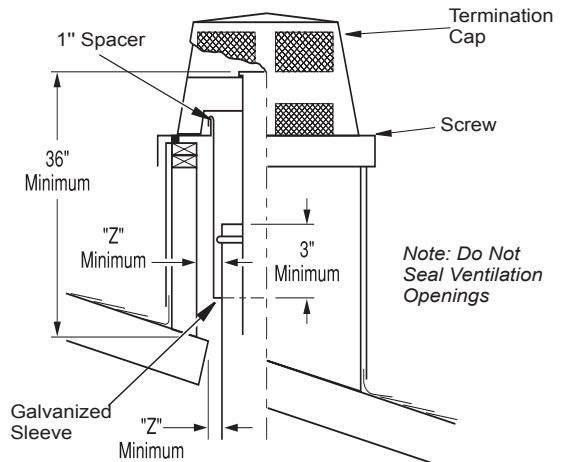


Figure 4 - Installing Termination Cap

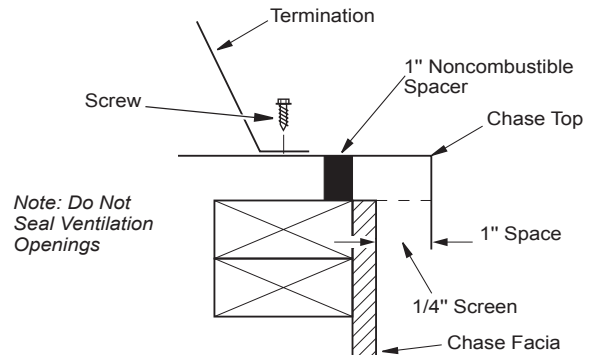


Figure 5 - Securing Termination to Chase Top Flashing with sheet metal screws

10' RULE

The chimney flue gas outlet of the termination must be a minimum distance of 3 feet above the highest point where the pipe penetrates the roof and must be a minimum distance of 2 feet above highest point of the roof within a horizontal distance of 10 feet (see Figure 6).

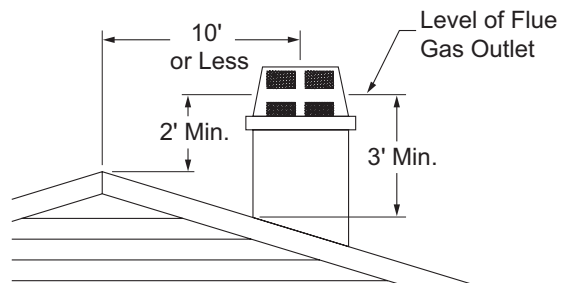


Figure 6 - 10' Rule

Note: Refer to owner's manual for minimum clearances specified for your model


FMI PRODUCTS, LLC
2701 S. Harbor Blvd.
Santa Ana, CA 92704
1-866-328-4537
www.fmiproducts.com

107456-01
REV. G
07/10