

SQUARE TOP TERMINATIONS

INSTALLATION INSTRUCTIONS

ETL-12D, ETL-12DMP, STL-12D AND STL-12DMP

- Construct chase as illustrated in Figure 1.
Note: The shortest vertical side must be at least 30" high and minimum inside dimension must be at least 19" as shown in Figure 1.
- Add pipe sections to chimney system as outlined in fire-place installation instructions until last piece of chimney is a maximum of 6" below top of chase (see Figure 1).
- Fabricate a flashing having a 16.5" diameter hole centered over chimney end with a 2" collar around hole (see Figure 2). Attach noncombustible spacers at each corner and place flashing over chase.
- Secure flashing through sides with 8-penny nails or sheet rock screws.
- Place galvanized sleeve through hole in flashing and around last section of chimney (see Figure 3).
- Place termination cap over opening and slip stainless steel inner pipe into stainless steel chimney section. Lower termination assembly until cap rests evenly over flashing hole. Secure cap at each corner with sheet metal screws (see Figure 4).

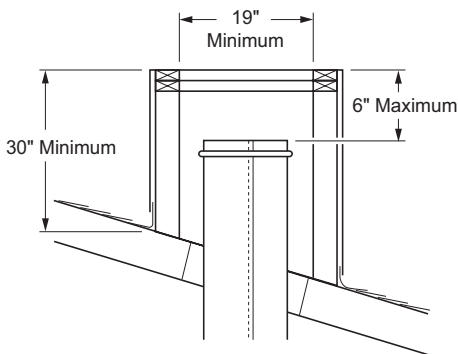


Figure 1 - Constructing Chase

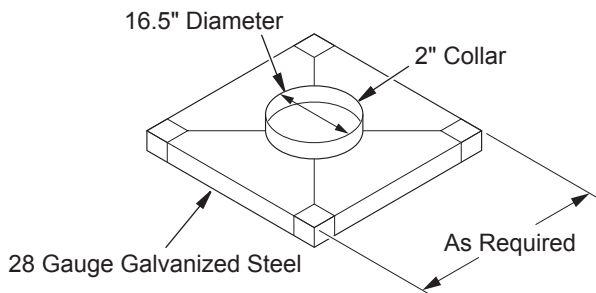


Figure 2 - Constructing Chase Top Flashing

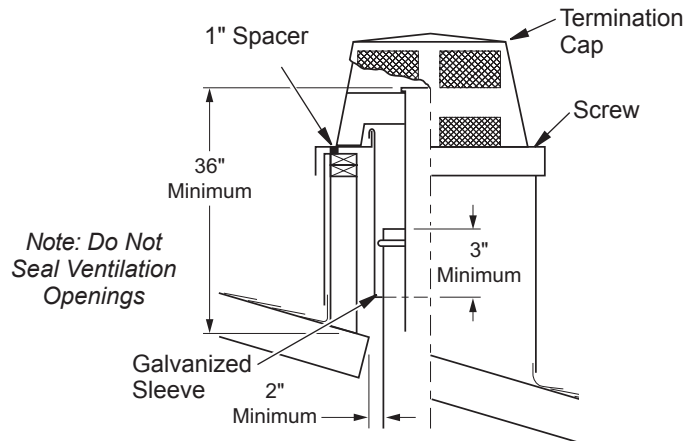


Figure 3 - Installing Termination Cap

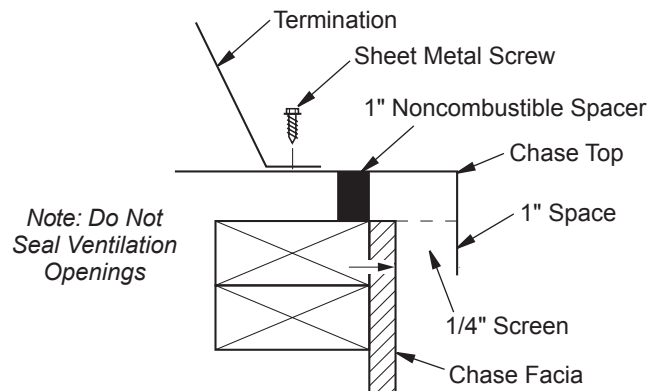


Figure 4 - Securing Termination to Chase Top Flashing with Sheet Metal Screws

10 Foot Rule

The chimney flue gas outlet of termination must be a minimum distance of 3 feet above the highest point where pipe penetrates the roof and must be a minimum distance of 2 feet above highest point of the roof within a horizontal distance of 10 feet (see Figure 5).

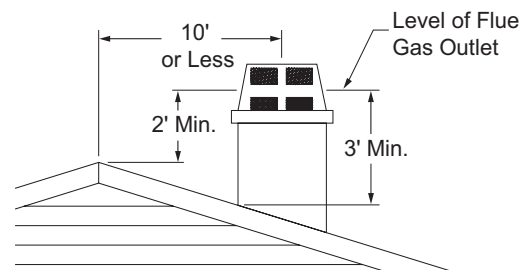


Figure 5 - 10 Foot Rule



110307 01
NOT A UPC



DESA Heating, LLC
2701 Industrial Drive
Bowling Green, KY 42101
www.desatech.com
1-866-672-6040

110307-01
Rev. E
05/08