

# Eastlake II

THE RENAISSANCE SERIES

36" ELECTRIC FIREPLACES  
EL36 Model Series

Modern Blend of  
Realism,  
Convenience and  
Technology



*Stylish extras for homeowners...Better value for builders*

FIREPLACES  
FOR BUILDERS  
**Fmi**

## Modern Blend of Realism, Convenience and Technology

The appeal and realism of electric fireplaces has come a long way over the years. And the new **Eastlake II** from FMI is a giant step forward in technology for the electric fireplace category. It's also a key product in Fmi's exciting new *Renaissance Series*, which offers consistent looks, sizing and construction across the entire product line... plus beautiful new features homeowners will love!

### Homeowner Highlights:

- **Distinctive Realism**—The Eastlake II achieves it's uncanny realism from new, patented **Micro-Brite™** LED lighting technology which creates the most realistic flame picture of any electric fireplace. It features colorful, random dancing flames and a modulating coal bed with a mature-fire presentation of finely detailed logs.
- **Ease and Efficiency**—Micro-Brite™ LED technology uses 75% less electricity than other electric fireplaces. And to top it off, you never have to buy or replace light bulbs.
- **Impressive Ambiance**—The Eastlake II also has a deeper, more "real fireplace" presentation than other electrics, so it looks terrific whether it's operating or not. And the standard side brick panels and realistic log stack give it a real woodburning appearance.
- **Safe, Convenient Operation**—Since there's no gas, no flame, and no flue emissions of any kind, the Eastlake II is certainly the safest, and arguably most convenient to use of all fireplaces. Just hit the remote button for your total hearth enjoyment.

### Builder Benefits:

- **Secure, straight installation**—We've included solid, full-length side nailing flanges, and drywall stops built into all 3 sides of the face frame.
- **Economical and Versatile**—No gas plumbing, no venting construction, and no clearances to combustibles saves lots of space and reduces construction costs. Just bring 110 or 220 power to the pre-wired pig tail anywhere you want it. Finish the unit off with any surround or mantle material right up to the louvers.



### Standard Features

- Hand-Held Remote Control
- Remote Storage Nook
- 5,000(120V) BTU Heater
- Adjustable Flame Ember Bed Intensity
- Ambient Lighting
- Realistic Brick Pattern Side Panels
- Powder-Coated Finish

**E36L features premium roll formed louvers and black, powder-coated finish for a sleek look with controls hidden behind the upper louver.**



*Eastlake models feature mature, wood fire presentation with beautifully detailed logs and a glowing ember bed*

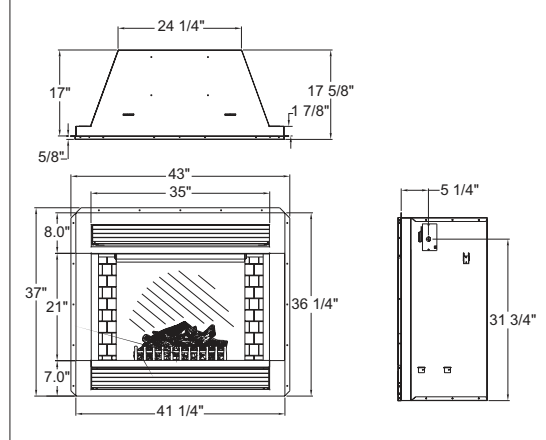


*The deep and dimensional "real fireplace" presentation of the Eastlake II is unique among electric fireplaces*

### Accessory Offering Summary

- Extruded Aluminum Bi-Fold Glass Doors (Black, Brushed Brass, & Platinum)
- Extruded Aluminum Fixed Glass Doors (Black, Brushed Brass, & Platinum)
- Extruded Aluminum Perimeter Trim (Black, Brushed Brass, & Platinum)

### Firebox Dimensions



www.fmiproducts.com  
For more information, call (866) 328-4537

©2009 FMI PRODUCTS, LLC  
FA 6230 0110

