

GALLANT

Outdoor Vent Free Gas
Fireplace



Superior design, performance & features together with true, wood burning realism hallmark the most innovative, most advanced hearth products ever available. Only from Design Dynamics.



INNOVATION ON FIRE

It isn't often a product line offers looks, features, performance and quality at a level to lead an entire industry in virtually every category. Design Dynamics™ presents the new Gallant outdoor vent free fireplace; featuring patent pending technology and award-winning design innovation.



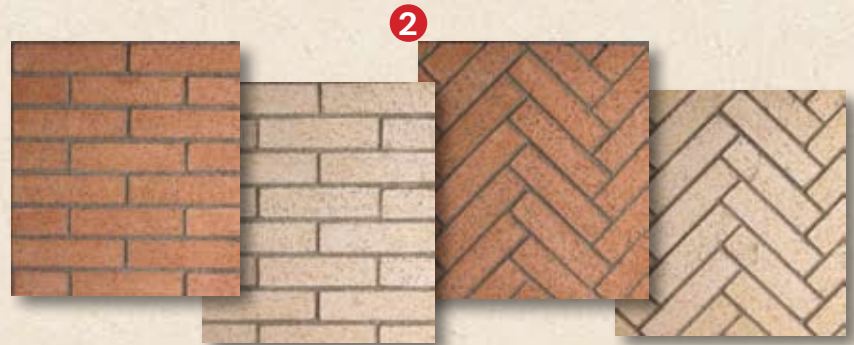
The Gallant is available in 36", 42" & 50" opening widths, each 30" high with no visible sheet metal.

Standard Features:

- 1 30" Opening Height (all sizes).
- 2 Mosaic Masonry™ Firebrick Lining System.
- 3 Left & Right Side Gas Line Knockouts
- 4 Continuous Nailing Flanges and Drywall Stops.
- 5 Stainless Steel Masonry Spark Screens
- 6 Design Certification (ANSI Z21.91)
- 7 Full Insulation.

Dramatic Beauty

Large, traditional masonry fireplaces have never been more popular outdoors. And our new Gallant is the easiest, most cost and space efficient solution to installing a lab certified, authentic masonry fireplace in the outdoor room or patio. Each of the three available sizes features a 30" tall opening with no visible sheetmetal to spoil the view of its exceptional firebrick interior. The Gallant's patented Mosaic Masonry™ firebrick lining kit is a complete, easy to install masonry system featuring individual half-split bricks in a variety of rich patterns and colors. The kit includes factory installed templates, precut and labeled bricks, and even a bag of hi-temp mortar to grout the finished fireplace.



The patent pending Mosaic Masonry™ real firebrick lining kits are available in Warm Red and Ivory. The installed system is indistinguishable from site-built masonry.

Absolute Quality

Despite its authentic, site-built masonry appearance, the Gallant is an ANSI Z21.91 lab tested and certified "zero clearance" vent free gas fireplace utilizing stainless steel chassis construction for both indoor and outdoor approved uses. This means flexible and reliable installation options, and guaranteed quality and performance.

Convenient & Solid Installation

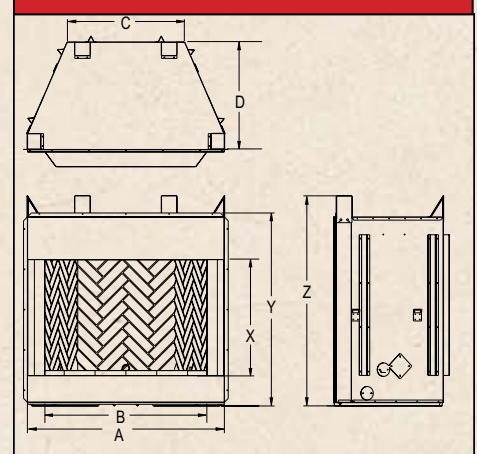
The Gallant's stainless steel chassis includes heavy, continuous nailing flanges and drywall stops around the face frame for solid and convenient installation. We've also included gas knockout locations on both sides for easy addition of any of our exceptional gas log systems. The absence of venting eliminates the cost and hassle of chase construction, puts the heat right where you want it instead of up the chimney.

	36"	42"	50"
A	45	51	59
B	36	42	50
C	29	30 1/2	38 1/2
D	26 5/8	28 1/2	28 1/2
X	30	30	30
Y	49	49	49
Z	55	55	55

Accessories

- Masonry Wood Storage Nooks
- Custom Fit, Pre-cast Concrete Mantles
- Extruded Aluminum, Custom Anodized Bi-Fold Glass Door Systems (Ebony, Pewter & Oiled Bronze)
- Gas Log Kits and Accessories
- Outside Air Kits
- Heat Deflection Hoods

Dimensions



Product design, features and specifications are subject to change at any time. Refer to current product instructions prior to installation.



www.innovationonfire.com



(888) 880-1213 © 2008 DESA Printed in U.S.A. FA# 7166 108

