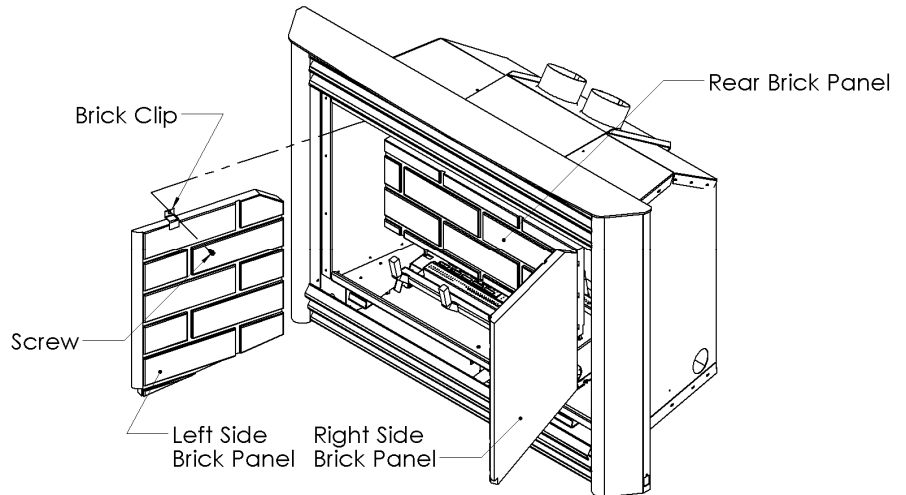


Brick and Porcelain Panel Installation

Instructions for IDV33 & IDV36 Brick

1. Remove the glass door. Refer to the Removal of the Glass Door section on page 19 for information. **If a flat black rear panel has been installed on the back of the firebox, remove the air shield and then the rear panel. Reinstall the air shield (see below).**
2. Install rear brick panel first.
3. Install left and right side panels and secure them with brick clips.
4. Once the brick panels are secured, reinstall the glass door. Refer to Removal of the Glass Door on page 19 for information.



Porcelain

1. Remove the glass door. Refer to the Removal of the Glass Door section on page 19 for information. **If a flat black rear panel has been installed on the back of the firebox, remove the air shield and then the rear panel (see below).**
2. Lift Log Supports out of fireplace. Remove the Air Shield by removing the four [4] screws that are securing it. Remove the flat black rear panel (if installed) at this time.
3. Place the Back Porcelain Panel up against the back of the Firebox (**Do not install backward**-see **Note** below) and reinstall the Air Shield in front of the Back Panel using the same four [4] screws.
4. Remove the two [2] screws on the sides of the Firebox holding the Brick Clips in place.
5. Tilt and slide the side panels into place. Secure these side panels with the two [2] screws that was taken out in the previous step. **NOTE:** The Brick Clips are no longer required for the Porcelain Panel installation.
6. Once the porcelain panels are secured, reinstall the glass door. Refer to Removal of the Glass Door on page 19 for information.

