

MANTIS MANTEL ASSEMBLY INSTRUCTIONS

EMBF-9S-(C,DO,O,UH,UO,W)

FULL CABINET MANTEL

INSTRUCTIONS MUST BE LEFT WITH THE OWNER FOR FUTURE REFERENCE AFTER INSTALLATION.

1. Place base in desired location. Place fireplace on base and route gas line to fireplace.

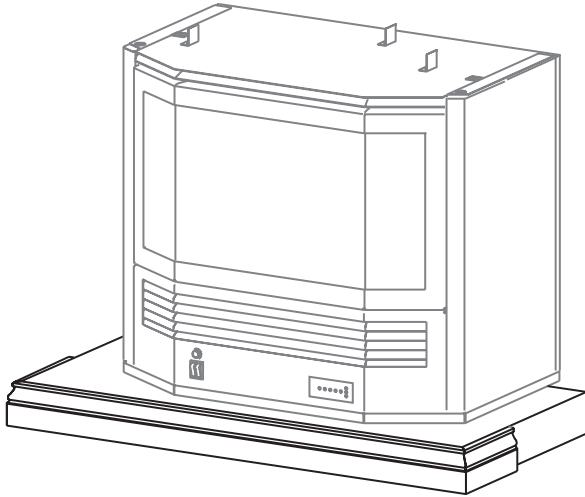


Figure 1

2. Position left side assembly and right side assembly against base.

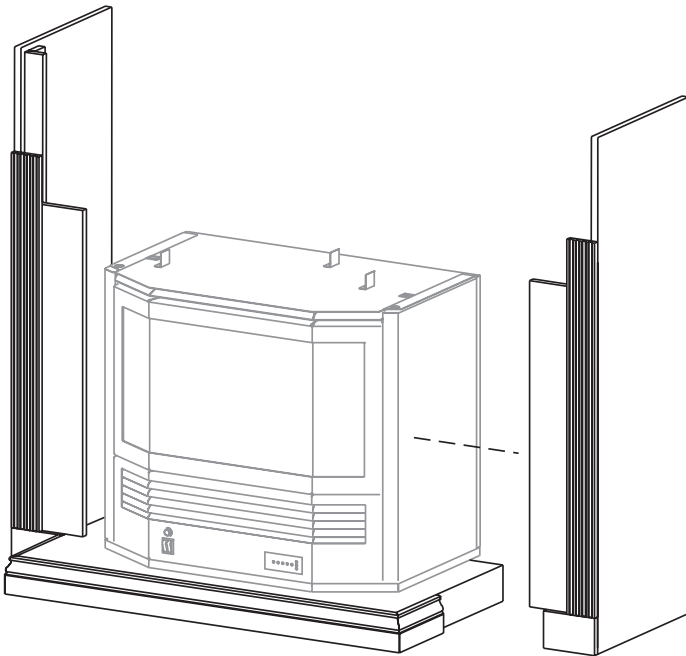


Figure 2

3. Position breastboard assembly to the front of left side assembly and right side assembly.

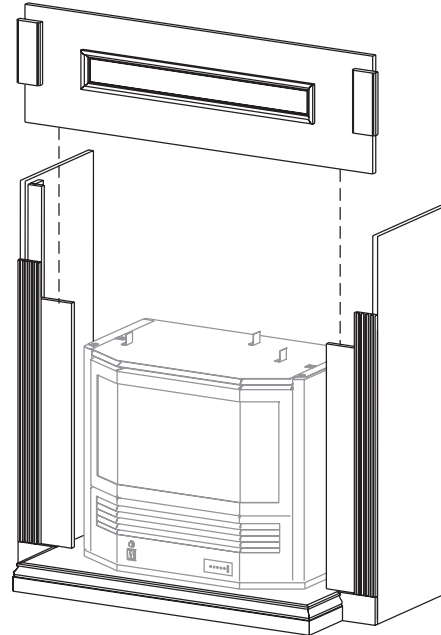


Figure 3

4. Use six (6) 1 1/4" screws to attach breastboard assembly to left side assembly and right side assembly.

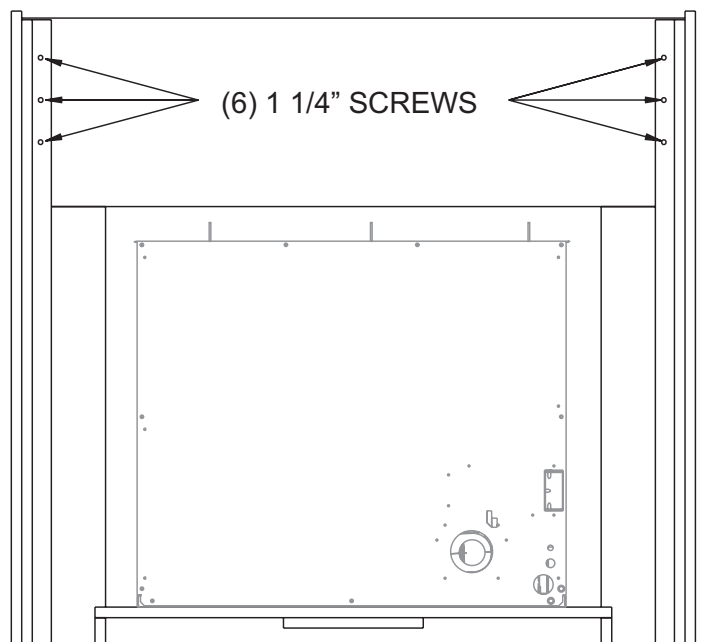


Figure 4

5. Place Mantis surround flush to the mantel face.

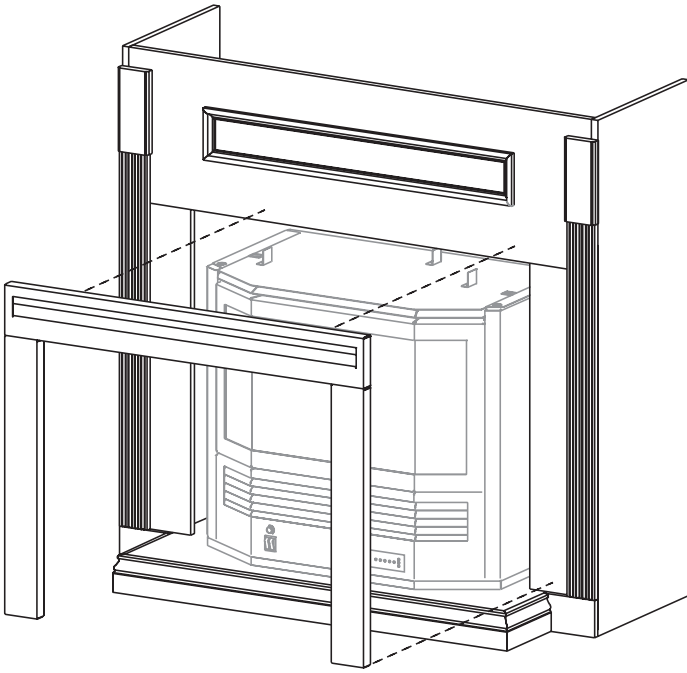


Figure 5

6. Place Mantis slim top assembly onto fireplace top, making sure the pegs snap into place.

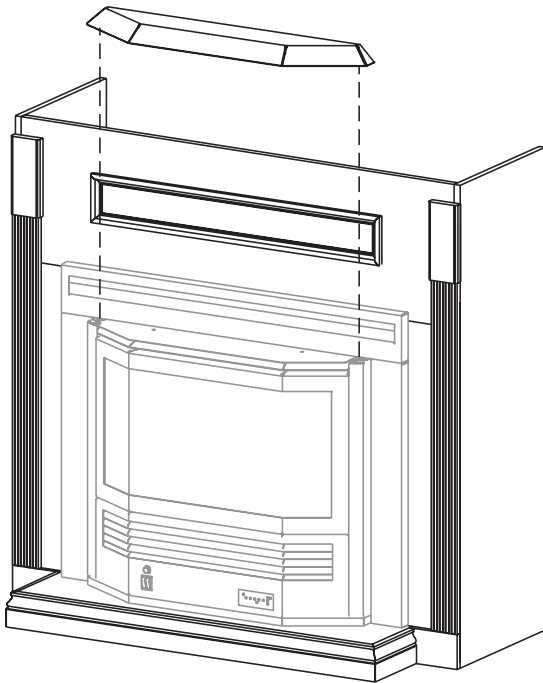


Figure 6

7. Place top assembly onto left side assembly and right side assembly.

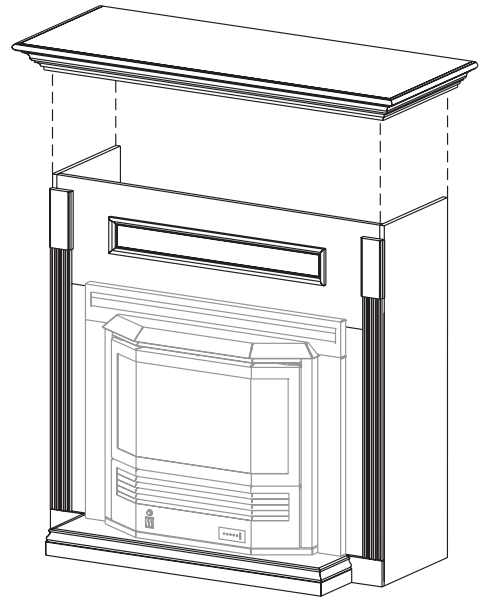


Figure 7

8. Installation of mantel is completed.