

MANTIS MANTEL ASSEMBLY INSTRUCTIONS

EMBC-9S-(C,DO,O,UH,UO,W)

CORNER CABINET MANTEL

INSTRUCTIONS MUST BE LEFT WITH THE OWNER FOR FUTURE REFERENCE AFTER INSTALLATION.

1. Place in desired location.
2. Position left side and right side assembly against base.
3. Attach mounting strips in corner with 2 1/2" screws level mounting strips with left and right assembly.

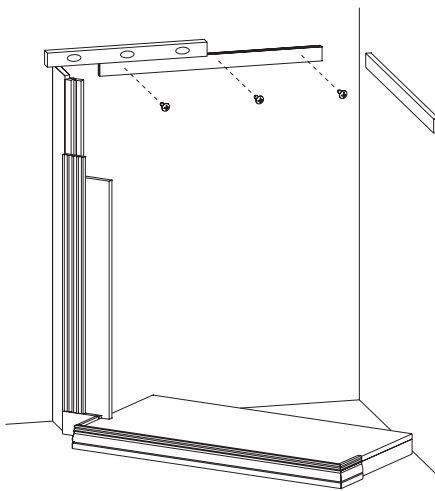


Figure 1

4. Remove left side and right side assembly.
5. Place fireplace on base and route gas line to fireplace.

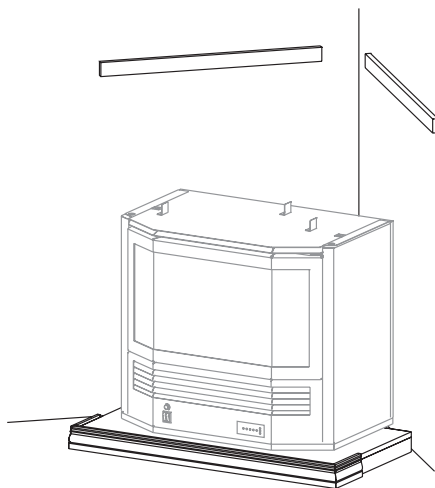


Figure 2

6. Position left side and right side assembly against base.

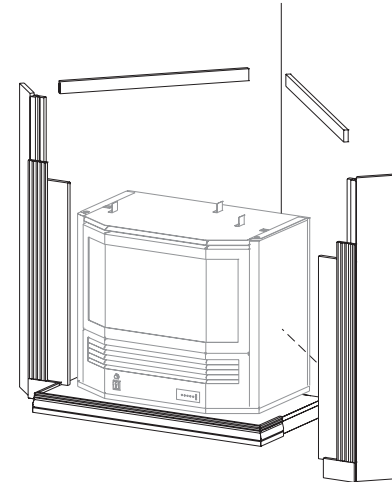


Figure 3

7. Position breast board assembly to the front of left side and right side assembly.

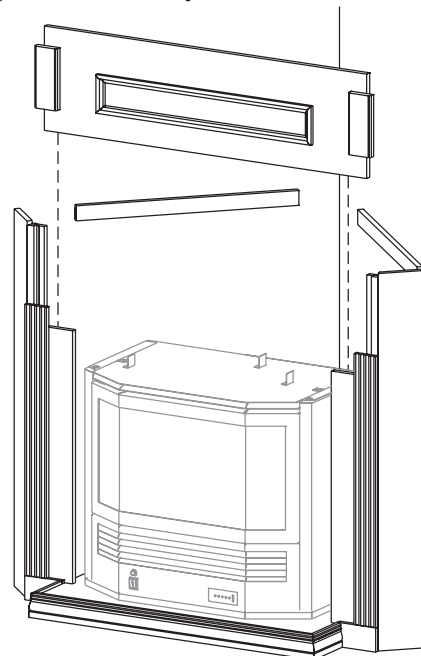


Figure 4

8. Use six (6) 1 1/4" screws to attach breast board assembly to left side and right side assembly.

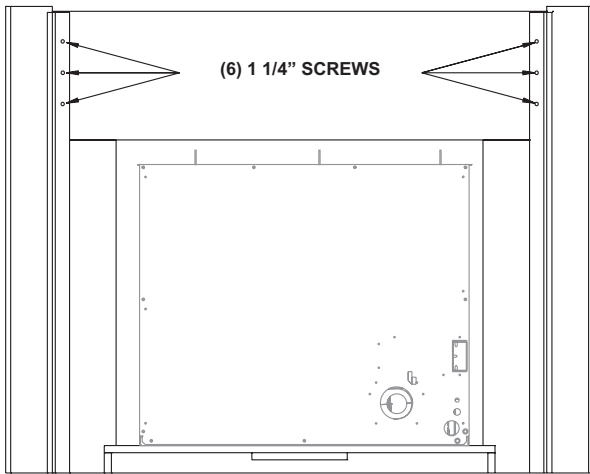


Figure 5

9. Place Mantis surround flush to the mantel face.

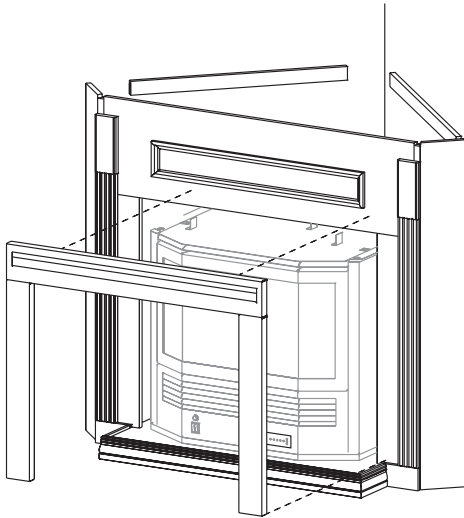


Figure 6

10. Place Mantis slim top assembly onto fireplace top, making sure the pegs snap into place.

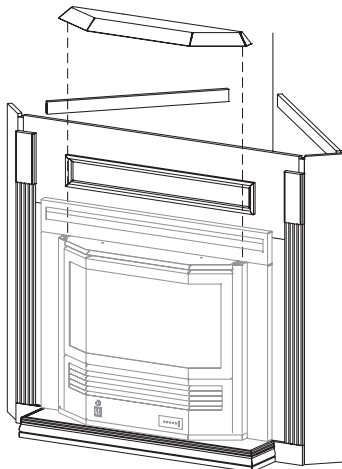


Figure 7

11. Place mantel top rear and mantel top front onto mounting strips, mantel sides, and breastboard.

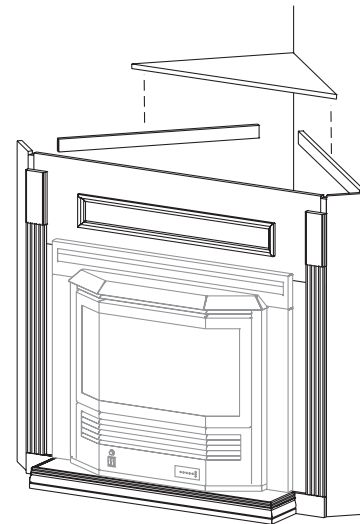


Figure 8

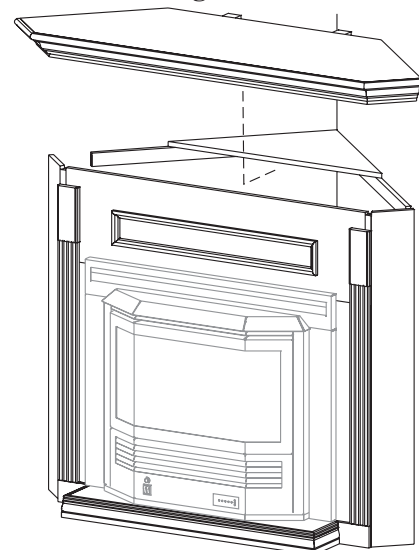


Figure 9

12. Cut top trim according to mantel size.
13. Attach top trim to mantel top with 1" finish nails.

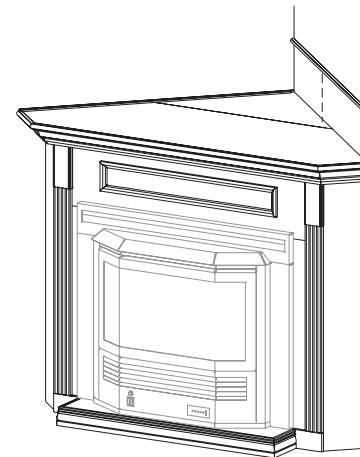


Figure 10

14. Installation of corner mantel is complete.