

**NOBLE**

Vent Free Gas Fireplace



Superior design, performance & features together with true, wood burning realism hallmark the most innovative, most advanced hearth products ever available. Only from Design Dynamics.



# INNOVATION ON FIRE

It isn't often a product line offers looks, features, performance and quality at a level to lead an entire industry in virtually every category. Design Dynamics™ presents the new Noble vent free fireplace; featuring patent pending Mosaic Masonry™ technology and award-winning design innovation.



The Noble is available in 36", 42" & 50" opening widths, each 30" high with no visible sheet metal.

## Standard Features:

- 1 30" Opening Height (all sizes).
- 2 Mosaic Masonry™ Firebrick Lining System.
- 3 Left & Right Side Gas Line Knockouts
- 4 Continuous Nailing Flanges and Drywall Stops.
- 5 Masonry Spark Screens
- 6 Design Certification (ANSI Z21.91)
- 7 Full Insulation.

## Dramatic Beauty

Homeowners love big, traditional masonry fireplaces. They also love the zone heating benefits and realism of vent free gas logs. Up until now however, nobody's offered homeowners the entire package. Leave it to Design Dynamics™ to change all that. Our new Noble vent free fireplace is an honest to goodness, lab certified, authentic masonry fireplace made especially for our exceptional vent free gas log systems.

Each of the three available sizes feature a 30" tall opening with no visible sheetmetal to spoil the view of it's exceptional firebrick interior. The Noble's patented Mosaic Masonry™ firebrick kit is a complete, easy to install masonry system featuring individual half-split bricks in a variety of rich patterns and colors. the kit includes factory assembled templates, precut and labeled bricks, and even a bag of hi-temp mortar to grout the finished fireplace.



The patent pending Mosaic Masonry™ real firebrick lining kits are available in Warm Red and Ivory. The installed system is indistinguishable from site-built masonry.

## Absolute Quality

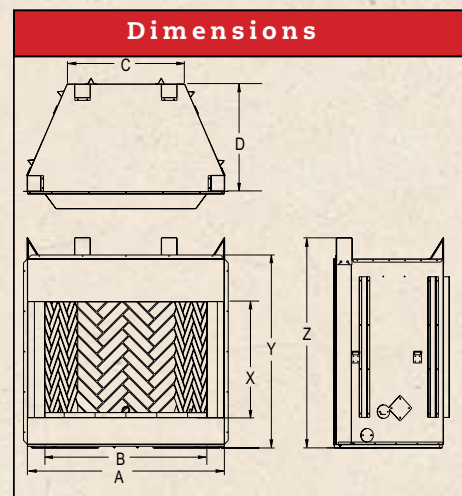
Despite it's authentic, site-built masonry finish, the Noble is an ANSI Z21.91 lab tested and certified "zero clearance" vent free gas fireplace. This means flexible and reliable installation options, and guaranteed quality and performance.

## Convenient & Solid Installation

The Noble's chassis includes heavy, continuous steel nailing flanges and drywall stops around the face frame for solid and convenient installation. We've also included gas knockout locations on both sides for convenient addition of any of our gas log systems.

	36"	42"	50"
<b>A</b>	45	51	59
<b>B</b>	36	42	50
<b>C</b>	29	30 1/2	38 1/2
<b>D</b>	26 5/8	28 1/2	28 1/2
<b>X</b>	30	30	30
<b>Y</b>	49	49	49
<b>Z</b>	55	55	55

Accessories
• Masonry Wood Storage Nooks
• Custom Fit, Pre-cast Concrete Mantles
• Gas Log Kits and Accessories
• Outside Air Kits



Product design, features and specifications are subject to change at any time. Refer to current product instructions prior to installation.

