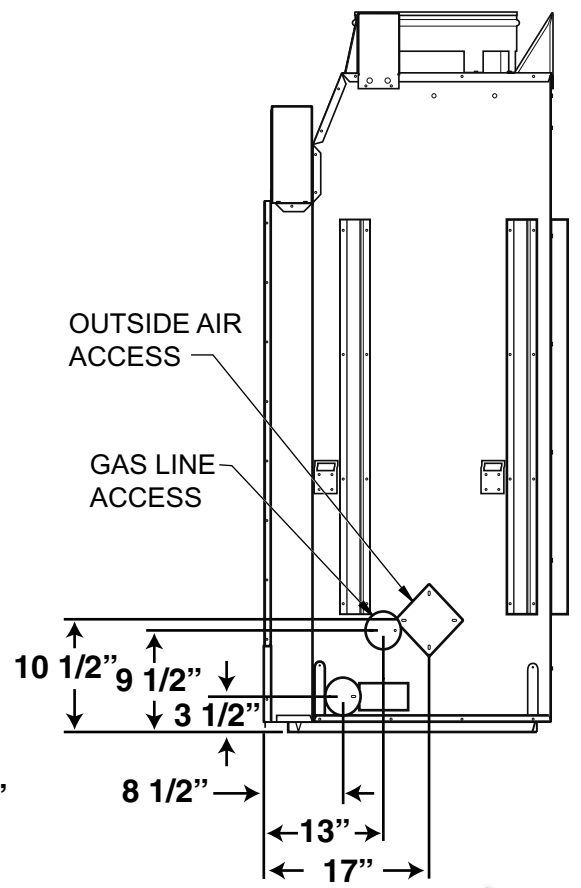
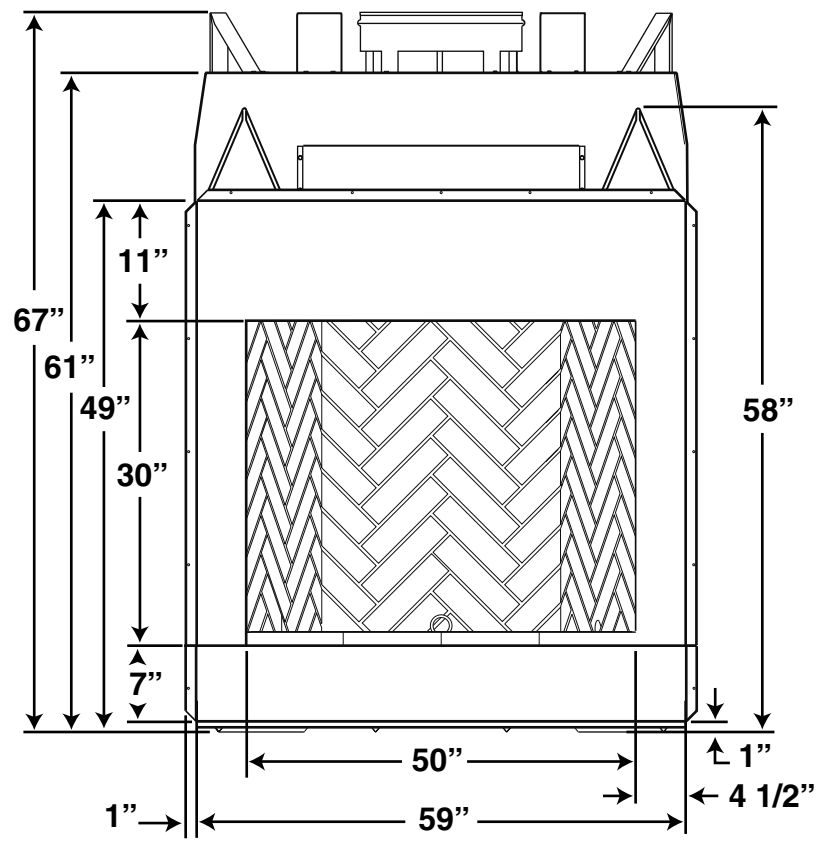
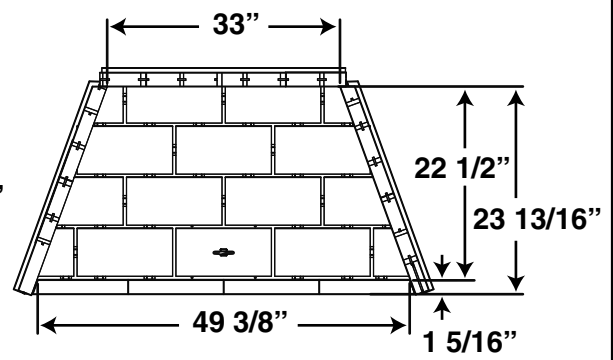
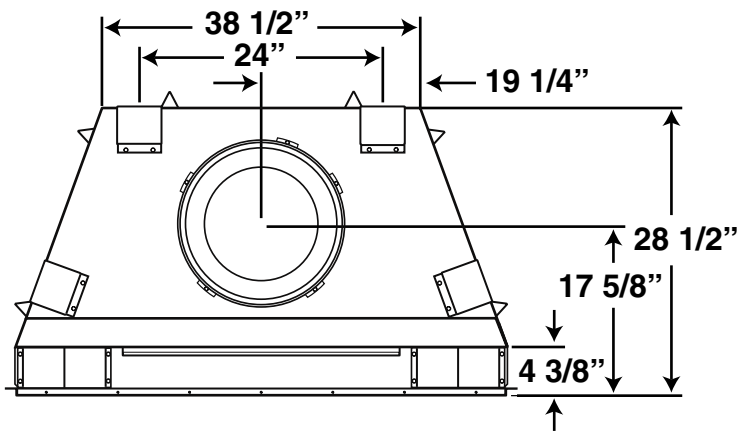


Saber

50" Woodburning Fireplace

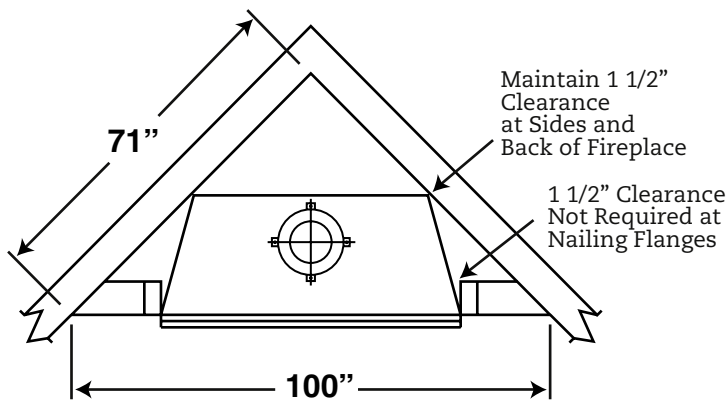
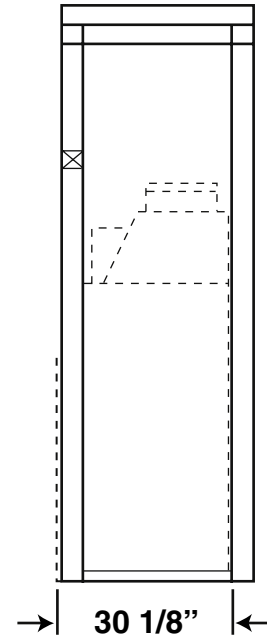
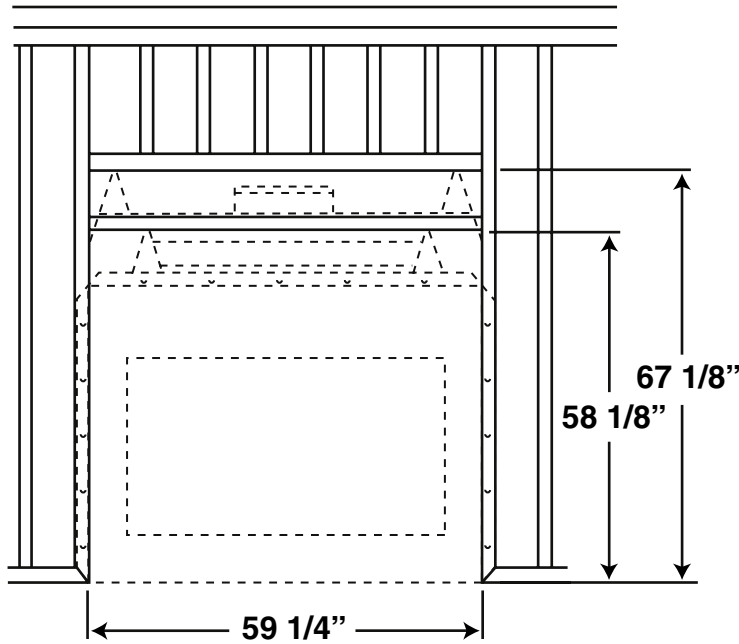
- Full Masonry Design
- Mosaic Masonry™ Technology
- Gas Log Ready Design (Refractory Only)
- Full Length Nailing Flanges



Saber

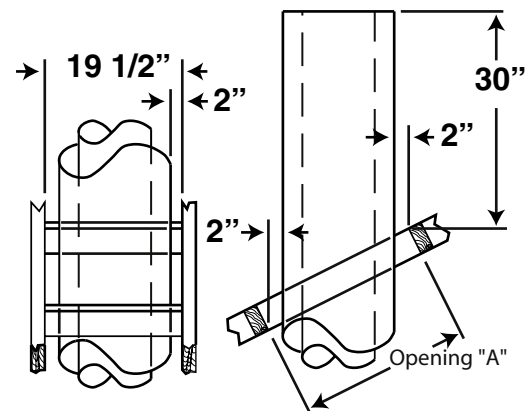
50" Woodburning Fireplace

Framing Dimensions



Ceiling/ Roof Opening Chart			
Pitch	Slope	Opening "A" Max.	Used Flashing Model No.
Flat	0°	19.5"	V6F-10DM
0-6/12	26.6°	22"	V6F-10DM
6/12- 12/12	45.0°	27"	V12F-10DM

Minimum Measurements



NOTE:

Built-in Features Such as Mantels, Bookshelves, etc. Made of Combustible Materials Must Maintain Minimum Clearances from the Fireplace. See Installation Instructions for Complete Information.

“Product design, features and specifications are subject to change at any time. Refer to current product instructions prior to installation.”

