

UNIVERSAL MANTEL ASSEMBLY INSTRUCTIONS

14653

EFFECTIVE DATE AUGUST, 2005

INSTRUCTIONS MUST BE LEFT WITH THE OWNER FOR FUTURE REFERENCE AFTER INSTALLATION.

Full Mantel Instructions

1. Assemble mantel in room in which it is to be installed.
2. Insert mantel sides into breastboard. Insure the corners are tight and flush.
3. Use six (6) 1-1/4" screws to attach mantel sides to breastboard (See Figure 1).

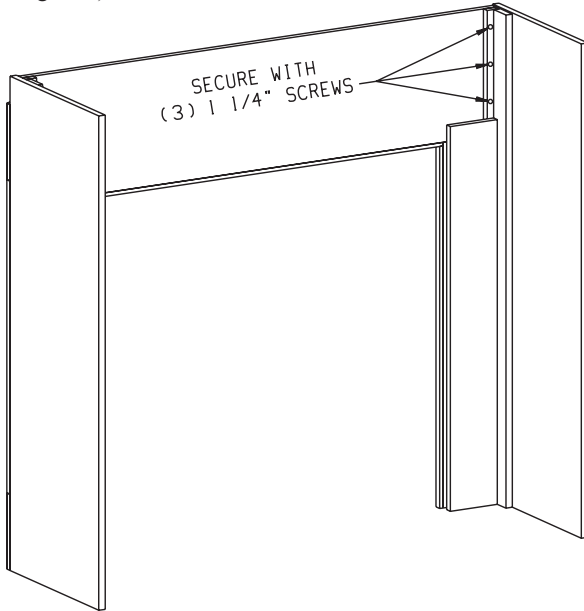


Figure 1

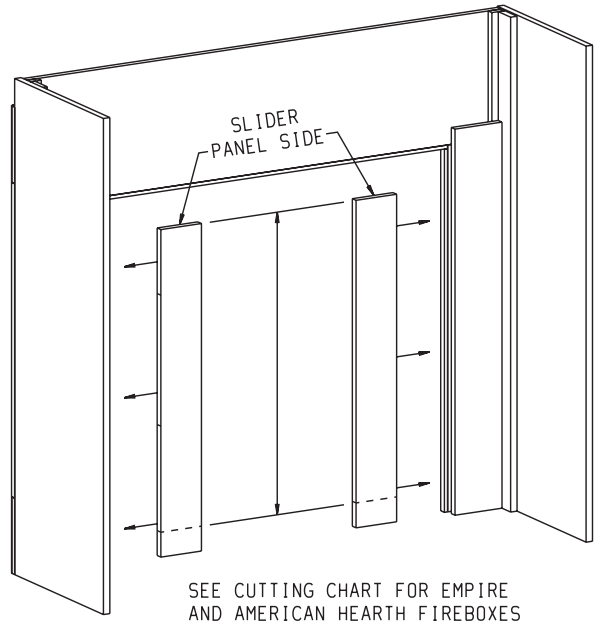


Figure 2

6. Insert slider panel top into pocket slot (See Figure 3)

4. Before installing slider panel sides (left and right), the slider panel sides need to be cut to the height of the firebox to be installed. On Empire or American Hearth fireboxes see chart below for cutting dimensions.

VFFD-32 AVFFD-32 VFHD-32 AVFHD-32	VFFP-32 AVFFP-32	VFFD-36 AVFFD-36 VFHD-36 AVFHD-36 DVS-36 DVST/R-36	VFFP-36 AVFFP-36	VFFD-42 AVFFD-42 DVS-42 DVST/R-42	VFFP-42 AVFFP-42	DVD-32 ADVDD-32 DVD-36 ADVDD-36 * note
34-3/8"	38-3/8"	36-3/8"	40-3/8"	38-3/8"	40-3/8"	33-3/4"

* NOTE: When installing a (A)DVD 32" and 36" Direct Vent Fireplace, a 1" clearance must be maintained from the top edge of fireplace to slider panel

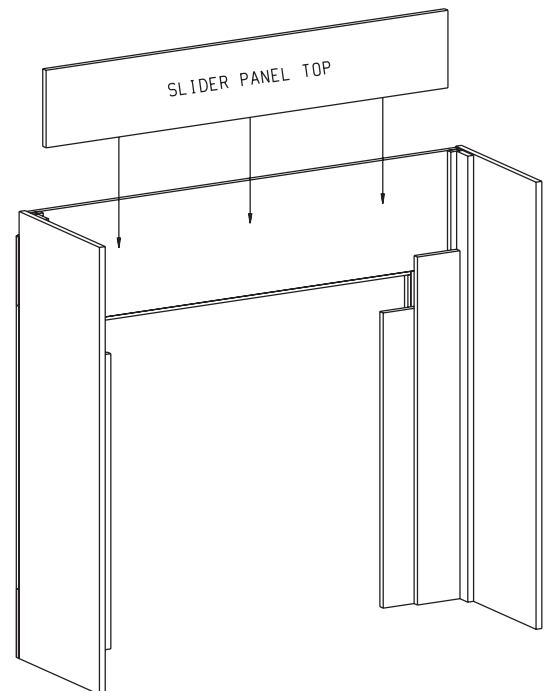


Figure 3

5. Insert slider panel sides (left and right) into pocket slot with cut edge down (See Figure 2).

7. Adjust slider panel sides (left and right) against firebox sides. Firebox needs to be centered in mantel.

Attention: Step 8 is optional.

- Secure slider panel sides left and right to mantel with one (1) 1-1/4" screw per side (See Figure 4).

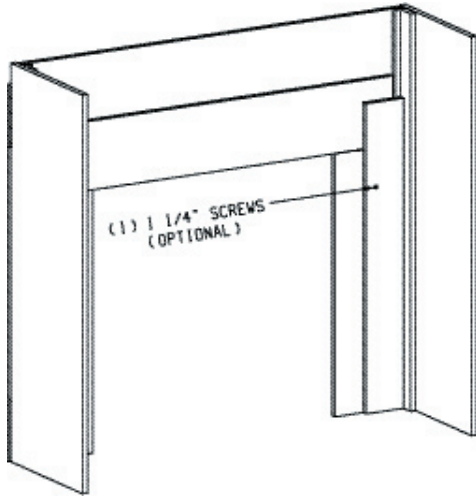


Figure 4

- Attach L-bracket to top of firebox to secure mantel to firebox (2 screws per bracket). Figure 5

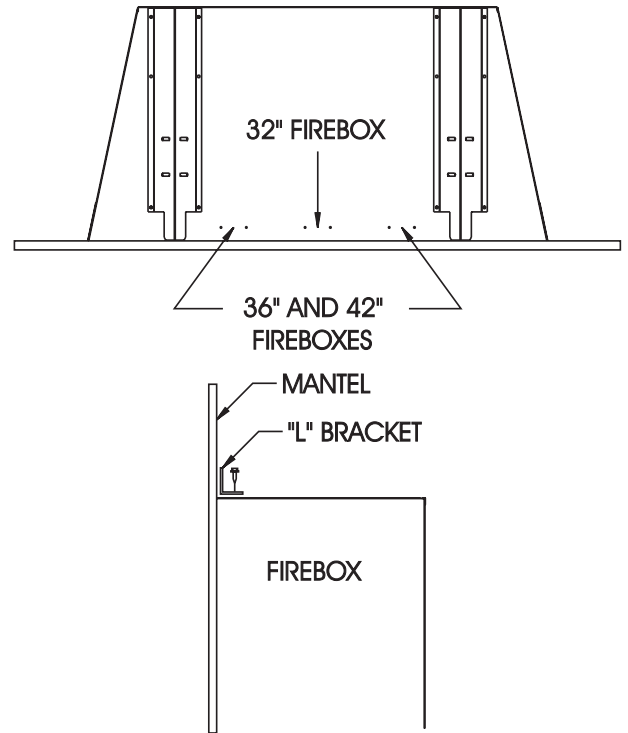


Figure 5

- Place mantel top onto mantel sides and breastboard.
- Assembly of universal mantel is completed.

Flush Mantel Instructions

- Place mantel sides and breastboard face down on a clean non-abrasive surface.
- Insert mantel side into breastboard. Ensure corners are tight and flush. (See Figure 1).
- Attach mantel sides to breastboard with (6) 1-1/4" screws. (See Figure 2).

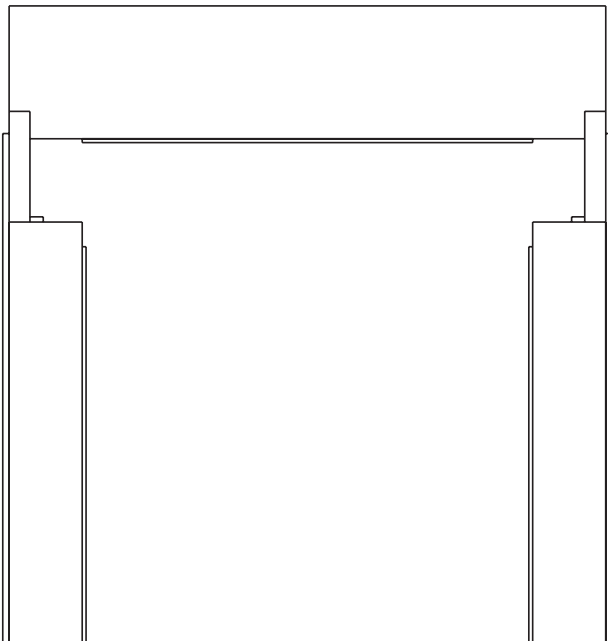


Figure 1

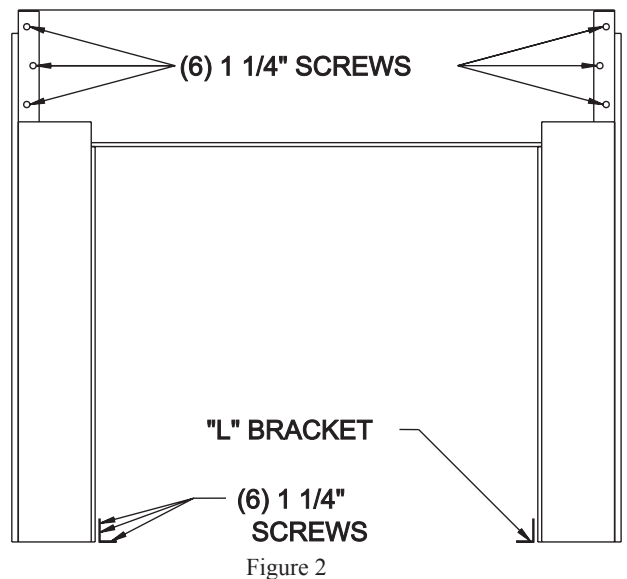


Figure 2

- Attach L to mantel sides with (4) 1-1/4" screws.
- Center mantel around firebox. Attach mantel to wall with (2) 3-1/2" screws.
- Attach mantel sides to base or floor with (2) 1-1/4" screws (See Figure 3).

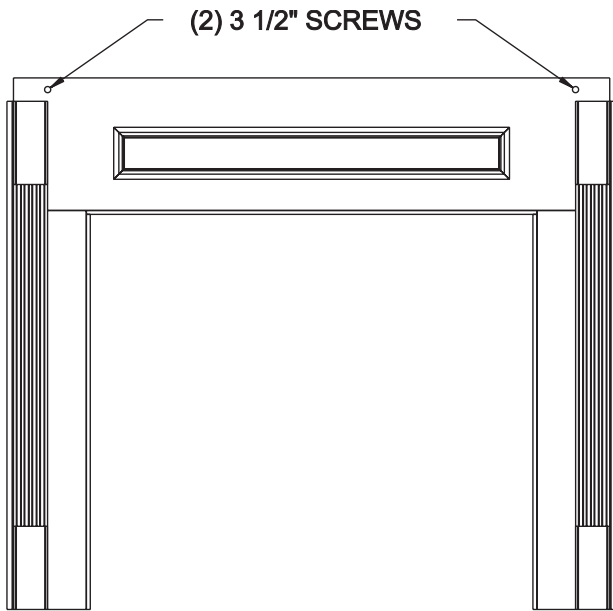


Figure 3

- Before installing slider panel sides (left and right), the slider panel sides need to be cut to the height of the firebox to be installed. On Empire or American Hearth fireboxes see chart below for cutting dimensions.

VFFD-32	VFFP-32	VFFD-36	VFFP-36	VFFD-42	VFFP-42	DVD-32
AVFFD-32	AVFFP-32	AVFFD-36	AVFFP-36	AVFFD-42	AVFFP-42	ADVD-32
VFHD-32		VFHD-36		DVS-42		DVD-36
AVFHD-32		AVFHD-36		DVST/R-42		ADVD-36
		DVS-36				
		DVST/R-36				* note

* NOTE: When installing a (A)DVD 32" and 36" Direct Vent Fireplace, a 1" clearance must be maintained from the top edge of fireplace to slider panel

- Insert slider panels into pocket slot with cut edge down (See Figure 4).

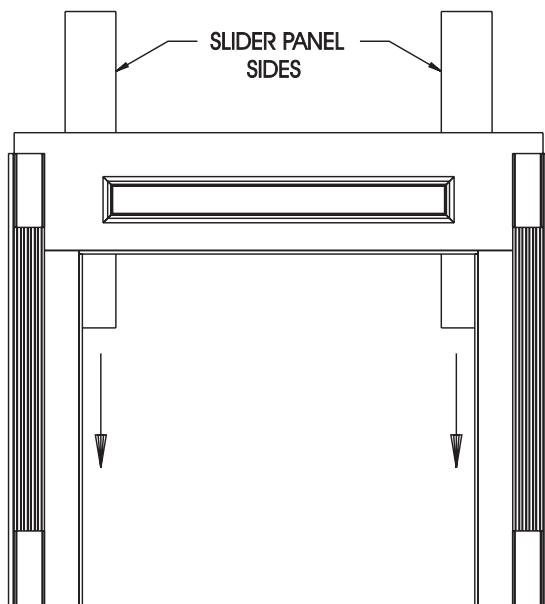


Figure 4

- Insert slider panel top behind breastboard and rest on the top of slider panel sides (See Figure 5).

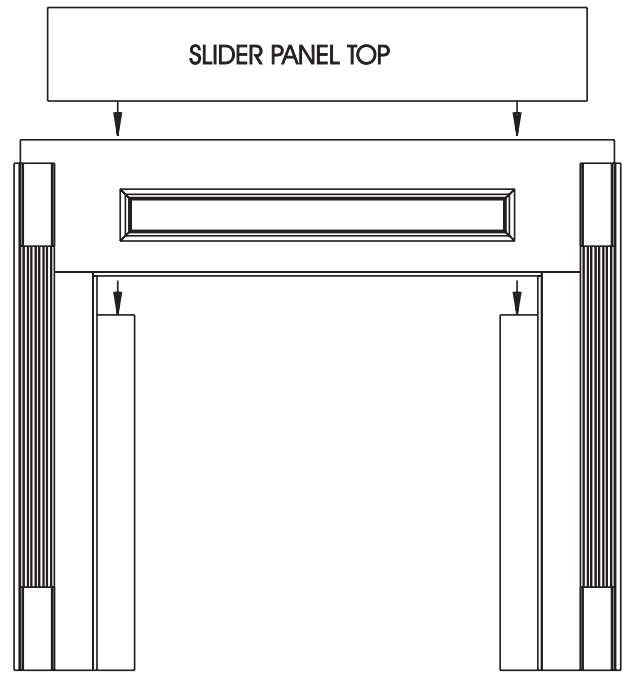


Figure 5

- Place mantel top onto mantel sides and breastboard (See Figure 6).
- Attach mantel top to breastboard with (2) 1-1/2" finish nails (See Figure 6).

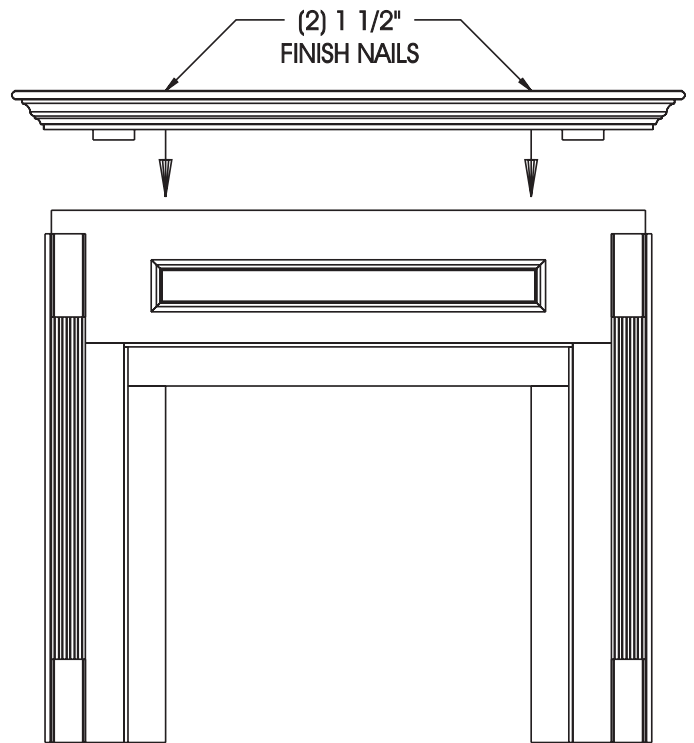


Figure 6

- Assembly of flush mantel is complete.

Corner Mantel Instructions

1. Assemble mantel in room in which it is to be installed.
2. Insert mantel sides into breastboard. Insure the corners are tight and flush.

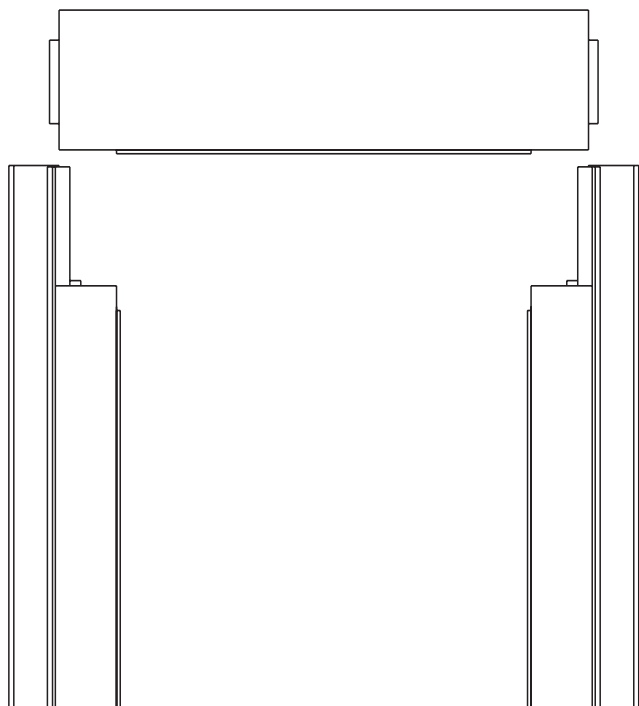


Figure 1

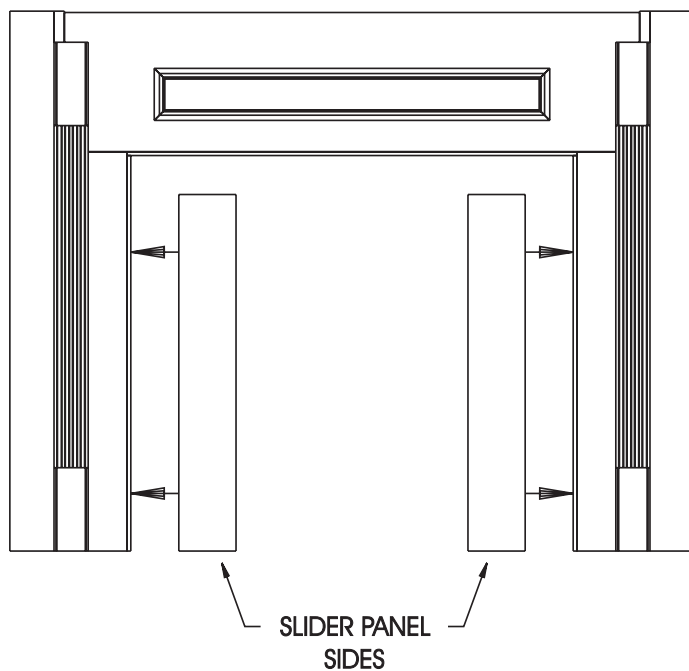


Figure 3

3. Use six (6) 1-1/4" screws to attach mantel sides to breastboard (See Figure 2).

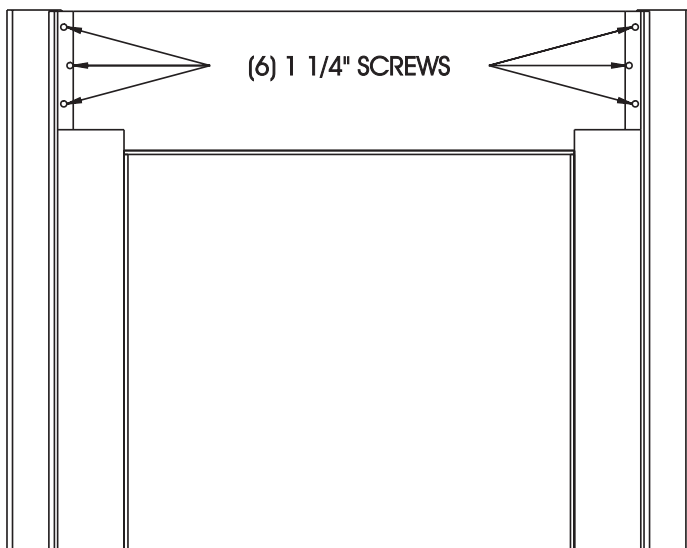


Figure 2

5. Insert slider panel top behind breastboard and rest on the top of slider panel sides (See Figure 4).

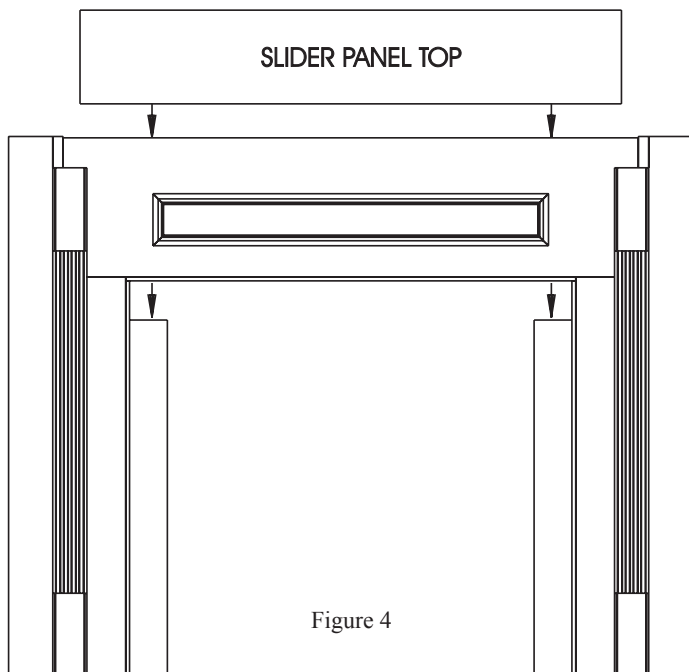


Figure 4

4. Before installing slider panel sides (left and right), the slider panel sides need to be cut to the height of the firebox to be installed. On Empire or American Hearth fireboxes see chart below for cutting dimensions.

6. Attach mounting strips in corner with 2-1/2" screws. If necessary, wall anchors may be used. See chart from floor to top of mounting strip dimension. Figure 5

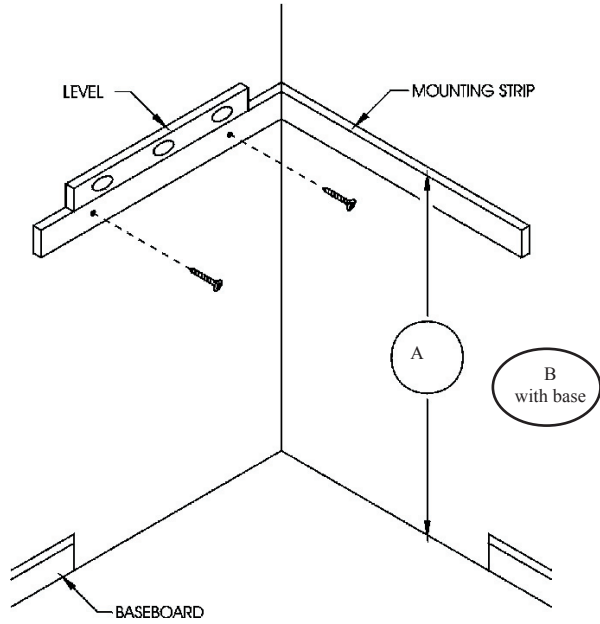


Figure 5

VFFD-32 AVFFD-32 VFHD-32 AVFHD-32 DVD-32 ADVD-32	VFFP-32 AVFFP-32	VFFD-36 AVFFD-36 VFHD-36 AVFHD-36 DVS-36 DVST/R-36 ADVD-36 DVD-36	VFFP-36 AVFFP-36
A 51-7/8"	55-7/8"	53-7/8"	57-7/8"
B 55-5/8"	59-5/8"	57-5/8"	61-5/8"

9. Attach L-bracket to top of firebox to secure mantel to firebox (2 screws per bracket). Figure 6

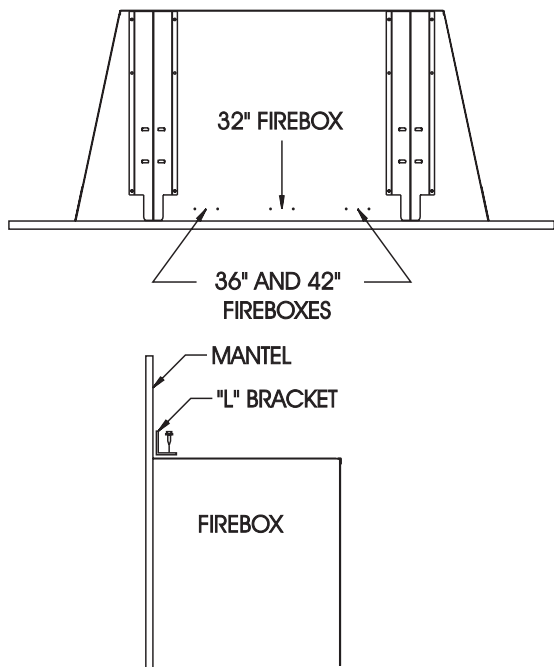


Figure 6

7. Place mantel top rear and mantel top front onto mounting strips, mantel sides and breastboard. Figure 7

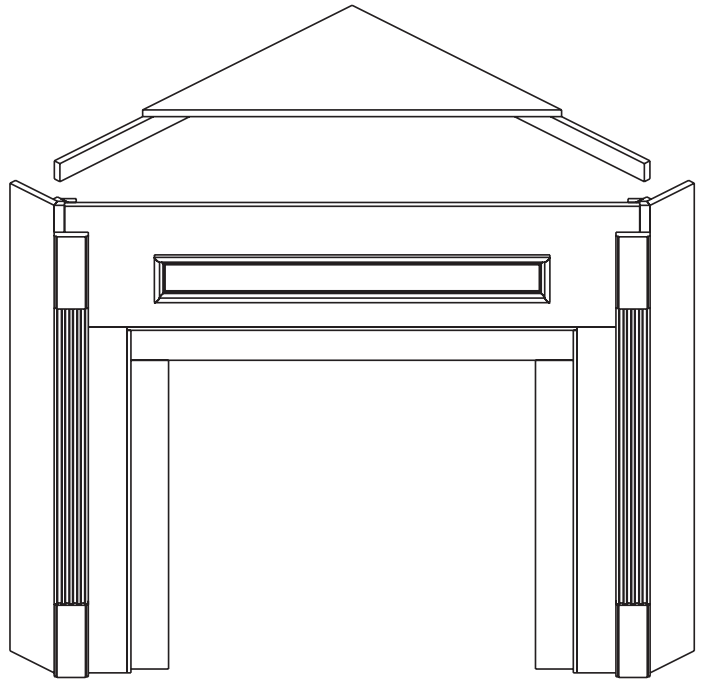


Figure 7

8. Cut top trim according to mantel size. Figure 8

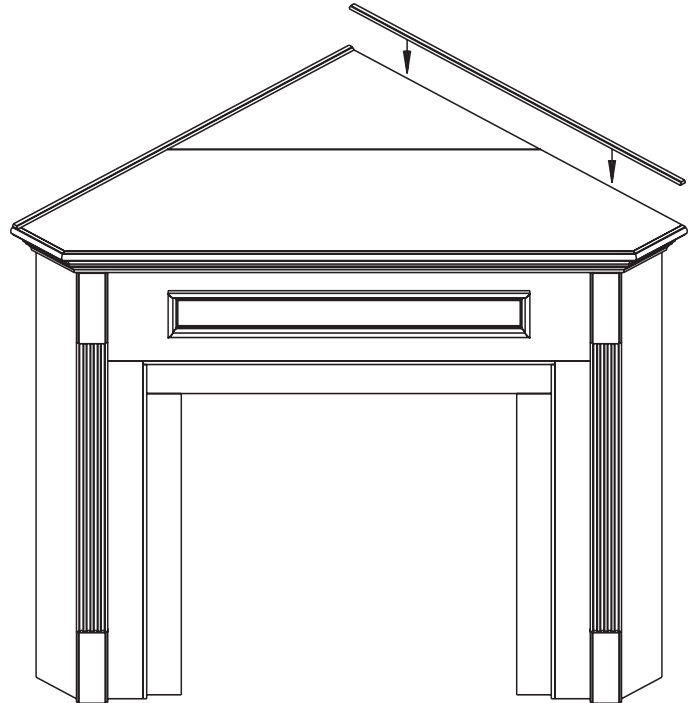


Figure 8

9. Attach top trim to mantel top with 1" finish nails.
10. Installation of corner mantel is complete.



Empire Comfort Systems, Inc.
Nine Eighteen Freeburg Ave.
Belleville, Illinois 62220-2623

PH: 1-800-851-3153
FAX: 1-800-443-8648
E-MAIL: info@empirecomfort.com
WEB SITE: www.empirecomfort.com