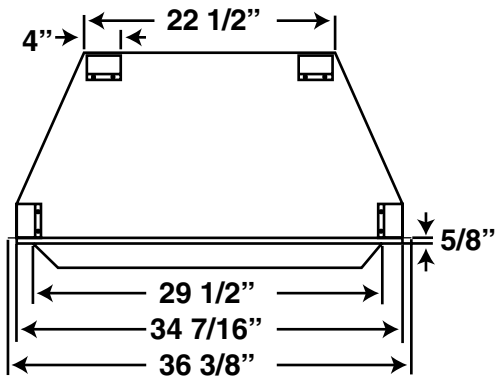


VALIANT

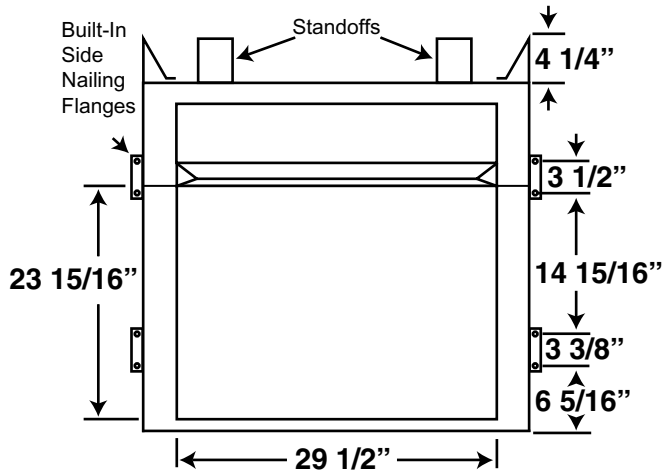
32" Vent Free Fireplace

- Flush Hearth Design
- Textured Warm red Refractory brick liners
- Heat Deflection hood
- Left, Right, and Rear gas knockouts
- ANSI Z21.91 Certified

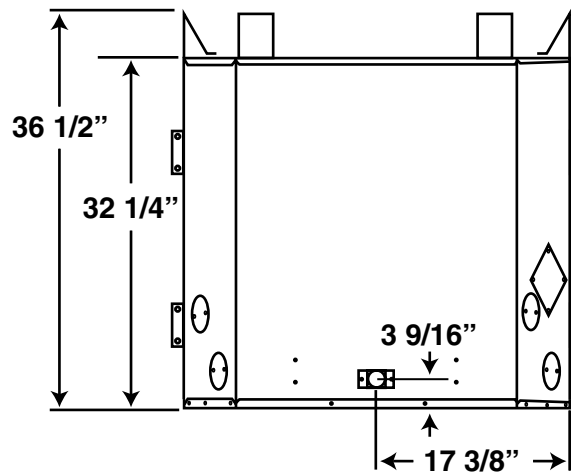
Top View



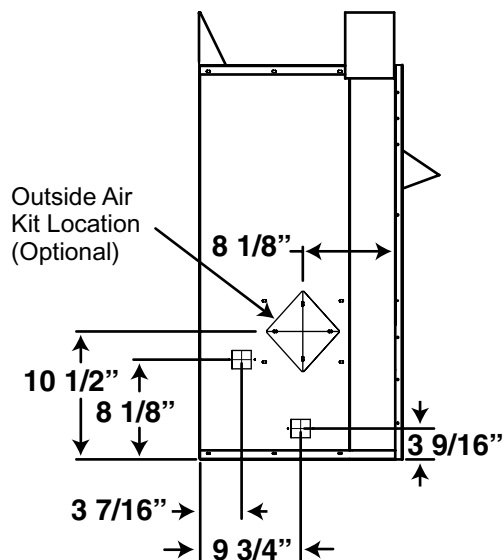
Front View



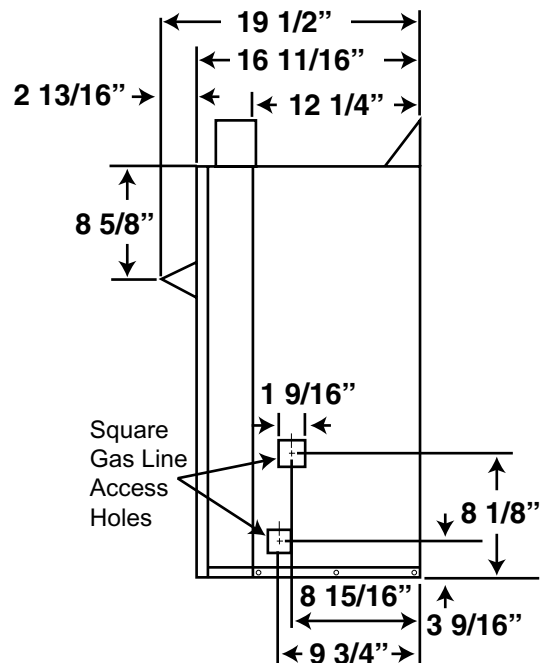
Back View



Left Side View with Air Kit



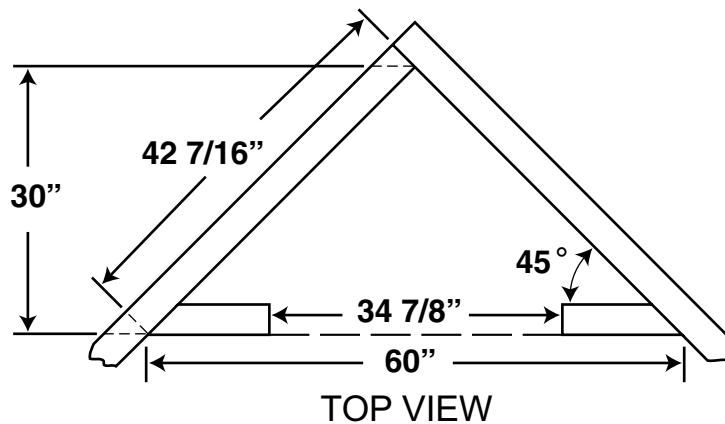
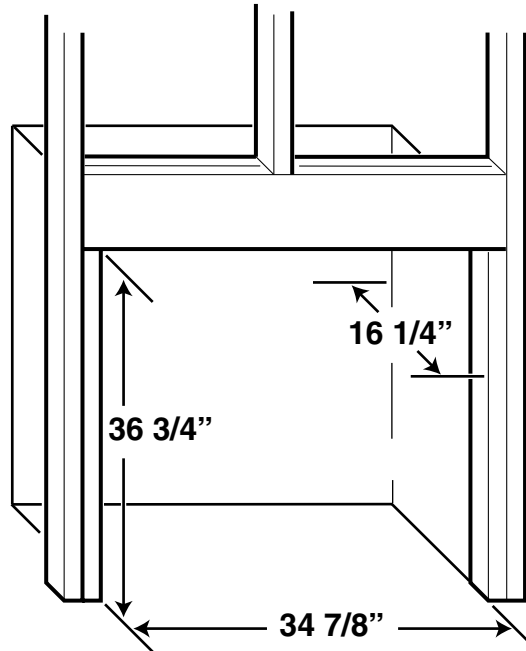
Right Side View



VALIANT

32" Vent Free Fireplace

Framing Dimensions



NOTE:

Built-in Features Such as Mantels, Bookshelves, etc. Made of Combustible Materials Must Maintain Minimum Clearances from the Fireplace. See Installation Instructions for Complete Information.

"Product design, features and specifications are subject to change at any time. Refer to current product instructions prior to installation."

