



Classic Hearth Vent-Free Gas Fireplace Systems

WELCOME HOME TO WARMTH

Fireplaces



CLASSIC HEARTH FIREPLACE SYSTEMS . . . CREATE A FIREPLACE INSTANTLY.

Fireplace Beauty With The Efficiency Of Vent-Free Technology

Classic Hearths provide up to 33,000 Btu of clean, quiet, odorless heat, enough to heat up to 1,100 square feet for only pennies an hour. With Classic Hearth's clean burning, 99% heat efficient burner design, the gas fireplace operates without a chimney. No outside venting is required so you eliminate heat loss and cold air drafts.

A Vantage Hearth Classic Hearth Vent-Free Gas Fireplace System offers you the most economical and convenient way to add the beauty of a fireplace to your home.

A Classic Hearth gives you the attractiveness of a real wood burning fireplace with the heating efficiency and warmth of vent-free gas space heating. No chimney or venting is required so installation is a fraction of the cost of installing a wood burning fireplace. Also, since a Classic Hearth operates without electricity, it is the perfect alternative for emergency heat during power outages. These complete systems include a zero-

clearance firebox, high efficiency vent-free gas logs, black louvers and concealed controls. Choose between thermostatic or remote control ready models. Optional multicolor brick liners in standard or herringbone patterns plus several mantel designs are available.

The Ultimate In Heating Control

There are a variety of models so you can select the comfort setting that best suits your needs. Classic Hearths that are remote control ready allow you to use one of our optional remote controls or the built-in variable manual control to operate the fireplace, while thermostatically controlled models modulate automatically to maintain your desired heat output.



Mini

The Mini Classic (VGMR) is a small 10,000 Btu, remote-ready gas fireplace that comes in a convenient go-anywhere size. Attractive red ceramic fiber liner and arched screen come standard. Approved for installation in bedrooms.

Comfort

Cover Photo – The Classic Pro
is the ultimate in convenient operation.



Single Burner 26" Compact

The Single Burner Compact Classic Hearth (VMH26) is offered in both thermostatic and remote-ready models. The 26,000 Btu fireplace features realistic dancing yellow flames and a shallow depth for go-anywhere installation.



Dual Burner 26" Compact

The Dual Burner Compact Classic Hearth (VDCF) is a 26,000 Btu fireplace that features two rows of dancing yellow flames and is available with your choice of thermostatic or remote-ready controls.



Classic Hearth 32" & 36"

The Classic Hearth Fireplace System (VYGF33 and VSGF28/33) is a complete package; it includes the zero-clearance fireplace, plus a set of either Golden Oak or Blaze n' Glow gas logs. A series of cabinet mantels are available as accessories. The Classic Hearth now comes in a 36" model (VL36LE shown left), complete with a refractory liner and gas logs.



Classic Pro 36"

The Classic Hearth 36" Fireplace System (VSGF36) is designed for larger spaces and boasts a handsome arched screen front and the Blaze n' Glow gas logs. A series of cabinet mantels and decorative doors are available as options. ProFlame "Smart" Remote included.

NOW THERE'S A CLASSIC HEARTH FOR EVERY NEED



The Mini Classic is a small, bedroom-approved fireplace. Cabinet mantels are available in wall or corner mantels.

Mini Classic (VGMR):

In many homes, finding enough space to have a fireplace can be challenging. The Vantage Hearth Mini Classic is the perfect solution. It is a small 10,000 Btu, remote-ready gas fireplace that will take up very little room. The 10,000 Btu output is a perfect heat range to provide comfortable heat for one or two rooms. This fireplace is approved for bedroom applications. Custom sized cabinet mantels are available as well, in both wall and corner versions. Attractive red ceramic fiber liner and arched screen come standard.

- Zero clearance construction
- Approved for bedroom use
- 99% efficient
- Up to 10,000 Btu
- Arched screen
- Options include remote controls and cabinet mantels

Efficient

Compact Classic Hearth—Single Burner 26" (VMH26):

When space is at a premium, a Vantage Hearth Single Burner Compact Gas Classic Hearth System is the perfect choice. Enjoy all of the same features and benefits of a full-size Classic Hearth. These complete systems include a zero-clearance compact firebox, vent-free split oak gas logs, black louvers and concealed controls.

- Up to 26,000 Btu
- 99% efficient
- Either thermostatic or remote models available
- Accessories include designer face kits, cabinet mantels and blowers

Compact Classic Hearth—Dual Burner 26" (VDCF):

Vantage Hearth's Dual Burner Compact Classic Hearth System offers a nice "step-up" from the single burner and is ideal for mid-size rooms. The deeper firebox, full-size log set and two rows of flames provides a more realistic fireplace appearance. The optional cabinet mantel/base combination gives the appearance of a full-size mantel and base. Add in the arched screen, a look borrowed from the full-size Classic Hearth, and you have a perfectly priced and positioned fit between the single burner compact and full-size Classic Hearth line.

- Up to 26,000 Btu
- 99% efficient
- Thermostatic or remote models available
- Options include designer face kits, cabinet mantels and blowers



Dual Burner Compact Fireplace System shown with oak cabinet mantel. (VDCF)



The 32" Classic Hearth (VSGF33) features 24" Blaze n' Glow logs that provide a vibrant glow with brilliant yellow flames.



The 36" Classic Hearth (VL36LE) features concealed manual controls with gas log set, a white refractory liner and rolled louvers.

Classic Hearth 32" (VSGF28/VSGF33/VYGF33):

The Vantage Hearth Classic Hearth is a full-sized 32" fireplace system complete with zero-clearance firebox, gas log set and concealed controls. 32" Classic Hearth models are available with Golden Oak logs with two rows of yellow flame, or Blaze n' Glow Logs with an innovative ramp burner that more closely replicates a wood fire.

Classic Hearth (VSGF) models allow you to enjoy the realism of full size Blaze n' Glow logs and glowing coals featuring outstanding log aesthetics. A full set of black upper and lower louvers is standard with these models.

VSGF33 and VYGF33 models are equipped with remote ready controls. The optional manual or automatic blower can be installed to improve heat distribution. These fireplaces offer 33,000 Btu, enough to heat up to 1,100 square feet.

VSGF28 models are thermostatically controlled and equipped with an automatic variable speed blower. Thermostatically controlled models offer 28,000 Btu, enough to heat up to 1,000 square feet.

Classic Hearth 36" (VL36LE):

36" Classic Hearth models offer 33,000 Btu, enough to heat up to 1,100 square feet. The manually controlled gas log set provides a bright wood-like flame. A white refractory brick liner with stacked brick pattern add to the realistic fireplace feel.

Classic

36" Extra-Large Classic Pro (VSGF36):

The 36" Classic Pro will be a showpiece in any setting! Our largest vent-free fireplace system, the Vantage Hearth 36" Classic Pro features the Blaze n' Glow logs, with its innovative ramp burner for greater glow. In addition, Classic Pro models include the ProFlame "Smart" Remote. This beautifully designed handheld remote senses the room temperature and modulates the flame accordingly.

A variable speed blower comes standard for greater heat distribution. Specialized accessories include decorative doors, and cabinet mantels.

Innovative



ProFlame "Smart" Remote.



The Classic Pro offers the ultimate in convenience, and includes the ProFlame remote control. (VSGF36)

Cabinet Mantels and Accessories

Traditional



Traditional
21" & 26"
Wall & Corner
Oak Stain (All sizes)
White Paint (21")

Traditional



Traditional
32" & 36"
Wall & Corner
Oak Stain (All sizes)
Unfinished (All sizes)

Georgian



Georgian
26" & 32"
Wall & Corner
Oak Stain (All sizes)

Classic



Classic
32" Wall (W32C0)
32" Corner (C32C0)
Dark Oak Stain

Sienna Doors



Sienna Doors
36" Common Chassis
Cabinet Screen Door

Iron Finish
(CD36RC-2IS)

Valencia Doors



Valencia Doors
36" Common Chassis
Cabinet Screen Door

Antique White Finish
(CD36RC-1WS)

Compact Fireplace Face Kits:

You can completely change the look of your Compact system with the help of Vantage Hearth's Compact Face Kits.

Choose from two distinct styles: Victorian with its flourishes and Classic with its keyhole notches. Both available in pewter or hammered copper finishes.



(Top) Victorian style - Pewter finish
(Bottom) Classic style - Hammered Copper finish

CABINET MANTELS

MODEL NO.	DESCRIPTION
21" Mini Hearth Fireplace System	
W21TP	21" Wall Mantel, White, Traditional Design
C21TP	21" Corner Mantel, White, Traditional Design
W21TO	21" Wall Mantel, Light Oak Stained, Traditional Design
C21TO	21" Corner Mantel, Light Oak Stained, Traditional Design
Single Flame 26" Compact Classic Hearth Fireplace System	
W26TO	26" Wall, Base, Medium Oak Stain, Traditional Design
C26TO	26" Corner Mantel, Oak Stained, Traditional Design
Single and Dual Flame 26" Compact Classic Hearth Fireplace System	
W26TU	26" Wall Mantel, Unfinished, Traditional Design
C26TU	26" Corner Mantel, Unfinished, Traditional Design
W26GO	26" Wall Mantel, Oak Stained, Georgian Design
C26GO	26" Corner Mantel, Oak Stained, Georgian Design
32" Classic Hearth Fireplace System	
W32TU	32" Wall Mantel, Unfinished, Traditional Design
W32TO	32" Wall Mantel, Light Oak Stained, Traditional Design
C32TU	32" Corner Mantel, Unfinished, Traditional Design
C32TO	32" Corner Mantel, Light Oak Stained, Traditional Design
W32DO	32" Wall Mantel, Light Oak Stained, Traditional Design w/ Dentil Molding
W32CO	32" Wall Mantel, Dark Oak Stained, Classic Design
C32CO	32" Corner Mantel, Dark Oak Stained, Classic Design
W32GO	32" Wall Mantel, Light Oak Stained, Georgian Design
C32GO	32" Corner Mantel, Light Oak Stained, Georgian Design
36" Classic Hearth/Pro Fireplace System	
W36TU	36" Wall Mantel, Unfinished, Traditional Design
W36TO	36" Wall Mantel, Light Oak Stained, Traditional Design
C36TU	36" Corner Mantel, Unfinished, Traditional Design
C36TO	36" Corner Mantel, Light Oak Stained, Traditional Design

* All mantels come with a base.

DOORS & HOODS

MODEL NO.	DESCRIPTION
Sienna Doors (36" Classic Hearth/Pro Fireplace System)	
CD36RC-2IS	36" Common Chassis Cabinet Screen Door - Natural Iron
CD36RC-2CS	36" Common Chassis Cabinet Screen Door - Aged Copper
CD36RC-2WS	36" Common Chassis Cabinet Screen Door - Antique White
Valencia Doors (36" Classic Hearth/Pro Fireplace System)	
CD36RC-1IS	36" Common Chassis Cabinet Screen Door - Natural Iron
CD36RC-1SS	36" Common Chassis Cabinet Screen Door - Aged Silver
CD36RC-1WS	36" Common Chassis Cabinet Screen Door - Antique White
Hoods (36" Classic Hearth/Pro Fireplace System)	
H36RC-I	36" Deflection Hood, Common Chassis - Natural Iron
H36RC-C	36" Deflection Hood, Common Chassis - Aged Copper
H36RC-S	36" Deflection Hood, Common Chassis - Aged Silver
H36RC-W	36" Deflection Hood, Common Chassis - Antique White

ACCESSORIES

MODEL NO.	DESCRIPTION
Single and Dual Flame Compact Classic Hearth Fireplace System	
GAB6094	3-Piece Firebox Perimeter Black Trim
GAP6094	3-Piece Firebox Perimeter Platinum Trim
GA9092	Compact Firebox Extruded Louvers - Polished Brass
GAB9092	Compact Firebox Extruded Louvers - Black
GA3450TA	Thermostatically Controlled Blower
DFK26P1	Compact Face Kit, Platinum Finish, Victorian Design
DFK26C1	Compact Face Kit, Hammered Copper Finish, Victorian Design
DFK26P2	Compact Face Kit, Platinum Finish, Classic Design
DFK26C2	Compact Face Kit, Hammered Copper Finish, Classic Design
HFL200	Dual Compact Burner Only, Brick Liner, Standard Brick Pattern, Aged Almond
HFL201	Dual Compact Burner Only, Brick Liner, Standard Brick Pattern, Aged Red
32" Classic Hearth Fireplace Systems	
GABB9094	Firebox Extruded Louvers - Brushed Brass (For VSGF28/VSGF33)
GAB9094	Firebox Extruded Louvers - Black (For VSGF28/VSGF33)
GAP9094	Firebox Extruded Louvers - Platinum
PT32	32" Perimeter Trim Kit - Black
PT32B	32" Perimeter Trim Kit - Brushed Brass
PT32P	32" Perimeter Trim Kit - Platinum
HFL300	32" Fireplace Brick Liner, Standard Brick Pattern (Almond)
HFL301	32" Fireplace Brick Liner, Standard Brick Pattern (Red)
HFL310	32" Fireplace Brick Liner, Herringbone Brick Pattern (Almond)
HFL311	32" Fireplace Brick Liner, Herringbone Brick Pattern (Red)
32" & 36" Classic Hearth Fireplace Systems	
GA3750A	Manual Blower, Variable Speed Control (For VSGF33/VYGF33)
GA3650TB	Automatic Thermostatic Blower (For VSGF33/VYGF33)
BK	Variable Speed Squirrel Cage Fan Blower (For VL36LE)
GA3555	Outlet Kit, for Recessed Installations
36" Classic Hearth/Pro Fireplace System	
SP36	36" Smooth Faced Panel Kit - Black
SL36	36" Stamped Louver Panels - Black
RL36	36" Rolled Louver Panels - Black
FP36	36" Filigree Panel Kit - Black
FP36B	36" Filigree Panel Kit - Brushed Brass
FP36P	36" Filigree Panel Kit - Platinum
HFL400	36" Fireplace Brick Liner, Standard Brick Pattern in Almond (For VSGF36)
HFL401	36" Fireplace Brick Liner, Standard Brick Pattern in Red (For VSGF36)
"Remote Ready" Classic Hearth Fireplace Systems	
MLCR	Receiver and On/Off Remote Control Kit
TLCR	Receiver and Thermostat Remote Control Kit
GWMS2	Wall Mount - On/Off Switch Kit
GWMT1	Wall Mount - Thermostat Control Kit
All Classic Hearth/Pro Fireplace Systems	
CF6-A	Fire Crackling Sound with On/Off Switch

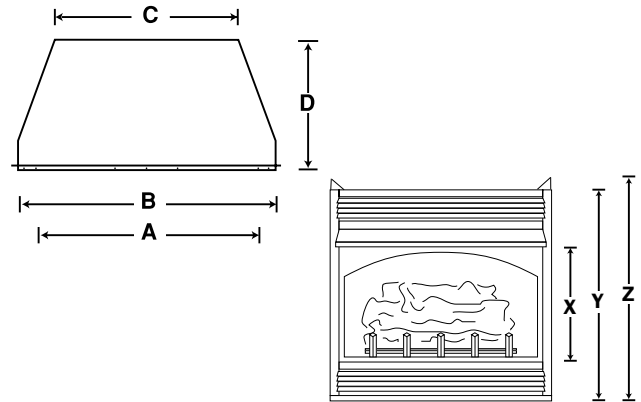
Classic Hearth Vent-Free Gas Fireplace Systems

PRODUCT SPECIFICATION

MODEL	DESCRIPTION	Btu CAPACITY	FUEL	SHIPPING WT.
21" Mini Classic Hearth Fireplace System				
VGMRN	21" Zero-Clearance Single Burner Compact Firebox, Remote Ready Gas Logs	10,000	Natural	45.0 lbs.
VGMRP	21" Zero-Clearance Single Burner Compact Firebox, Remote Ready Gas Logs	10,000	Propane	45.0 lbs.
26" Single Flame Compact Classic Hearth Fireplace System				
VMH26TNC	26" Zero-Clearance Single Burner Compact Firebox, Vent-Free Thermostatically Controlled Gas Logs	14,000 to 26,000	Natural	41.0 lbs.
VMH26TPC	26" Zero-Clearance Single Burner Compact Firebox, Vent-Free Thermostatically Controlled Gas Logs	14,000 to 26,000	Propane	41.0 lbs.
VMH26NRB	26" Zero-Clearance Single Burner Compact Firebox, Vent-Free Remote Ready Gas Logs	14,000 to 26,000	Natural	41.0 lbs.
VMH26PRB	26" Zero-Clearance Single Burner Compact Firebox, Vent-Free Remote Ready Gas Logs	14,000 to 26,000	Propane	41.0 lbs.
26" Dual Flame Compact Classic Hearth Fireplace System				
VDCFTNB	26" Zero-Clearance Dual Burner Compact Firebox, Vent-Free Thermostatically Controlled Gas Logs	17,000 to 26,000	Natural	55.0 lbs.
VDCFTPB	26" Zero-Clearance Dual Burner Compact Firebox, Vent-Free Thermostatically Controlled Gas Logs	17,000 to 26,000	Propane	55.0 lbs.
VDCFRNB	26" Zero-Clearance Dual Burner Compact Firebox, Vent-Free Remote Ready Gas Logs	17,000 to 26,000	Natural	56.0 lbs.
VDCFRPB	26" Zero-Clearance Dual Burner Compact Firebox, Vent-Free Remote Ready Gas Logs	17,000 to 26,000	Propane	56.0 lbs.
32" Classic Hearth Fireplace System				
VSGF28NTF	32" Zero-Clearance Firebox with Blower and Blaze n' Glow Logs, Both T'Stat Controlled	20,000 to 28,000	Natural	83.0 lbs.
VSGF28PTF	32" Zero-Clearance Firebox with Blower and Blaze n' Glow Logs, Both T'Stat Controlled	20,000 to 28,000	Propane	83.0 lbs.
VSGF33NRC	32" Zero-Clearance Firebox with Remote Ready Blaze n' Glow Logs (Accepts Accessory Blowers)	20,000 to 33,000	Natural	80.0 lbs.
VSGF33PRC	32" Zero-Clearance Firebox with Remote Ready Blaze n' Glow Logs (Accepts Accessory Blowers)	20,000 to 33,000	Propane	80.0 lbs.
VYGF33NRC	32" Zero-Clearance Firebox with Remote Ready Golden Oak Logs (Accepts Accessory Blowers)	20,000 to 33,000	Natural	76.0 lbs.
VYGF33PRC	32" Zero-Clearance Firebox with Remote Ready Golden Oak Logs (Accepts Accessory Blowers)	20,000 to 33,000	Propane	76.0 lbs.
36" Classic Hearth Fireplace System				
VL36LEN	36" Zero-Clearance Firebox with Manual Control Logs and Refractory Brick Liners	20,000 to 33,000	Natural	212.0 lbs.
VL36LEP	36" Zero-Clearance Firebox with Manual Control Logs and Refractory Brick Liners	20,000 to 33,000	Propane	212.0 lbs.
36" Classic Pro Fireplace System				
VSGF36NRC	36" Zero-Clearance Firebox with Pro-Flame Remote Blaze n' Glow Logs and Variable Speed Blower	21,500 to 33,000	Natural	120.0 lbs.
VSGF36PRC	36" Zero-Clearance Firebox with Pro-Flame Remote Blaze n' Glow Logs and Variable Speed Blower	21,500 to 33,000	Propane	120.0 lbs.

DIMENSIONS							
MODEL	A	B	C	D	X	Y	Z
21" Mini Classic	16 1/4	19 3/4	19 3/4	8 7/8	16 3/4	23 1/4	23 1/4
26" Single Compact	25 7/8	26 3/4	26 3/4	9 1/2	12 1/2	26	26
26" Dual Compact	25 7/8	26 3/4	26 3/4	14 1/4	12 1/2	26	26
32" Classic Hearth	31 5/8	34 1/4	22 3/8	16 5/8	18 1/2	32 3/8	32 3/8
36" Classic Hearth	35	41	29	21	21	36	40 5/8
36" Classic Pro	41 5/8	43	29	21 1/8	19 1/2	36	40 1/4

Note: All measurements are in inches. Dimensions on this catalog are approximate. For accurate dimensions, refer to the installation instructions.



Safety Features Built Into Every Fireplace

Vantage Hearth's Classic Hearth Vent-Free Gas Fireplace Systems are designed certified to meet or exceed all regulations and safety performance standards for vent-free gas appliances. Additionally, these fireplaces perform well within nationally recognized guidelines for indoor air quality.

The dual purpose safety pilot system protects against oxygen depletion and any interruption in the fuel supply. If either occurs, it shuts off the gas flow to the burner turning the heater off. An internal pressure regulator controls fluctuations in your gas pressure. These features ensure clean and reliable heat.

Vantage Hearth Vent-Free Gas Products Meet or Exceed Nationally Recognized Standards/Guidelines for Indoor Air Quality.+

+ Per the findings of the American Gas Association Research when installed and operated per FMI's instructions.



Look For Us Online:
www.fmiproducts.com

IMPORTANT

Installation must be done by qualified service persons.

Read Owner's Manual before using.

Check local codes and ordinances for permitted uses.

Vent-free gas products are prohibited for bedroom and bathroom

installation in Massachusetts.

All products approved for manufactured (mobile) home installation.

We reserve the right to amend product specifications without notice.

Operating heater at very high elevations could cause nuisance outages.

Use with adequate air (ventilation) only. Humidifies while it heats. Provides water vapor in the area heated. Refer to owner's manual for specifics.

Product cannot be converted between fuel types.

The only warranty we offer is our standard warranty.

Please read the warranty for any limitations or disclaimers.

All parts have a limited two year warranty.

Stainless Steel burners carry a limited five year warranty.

All accessories have a one year warranty.