

Wood Burning Fireplaces

WELCOME HOME TO WARMTH



AMBIENCE

Wood Burning Fireplaces

Nothing Looks, Smells or Sounds Like A Real Wood Burning Fireplace.



Value Line Wood Burning Fireplace shown with vented gas logs, optional glass doors and custom stone mantel.

A wood burning fireplace from Vantage Hearth's line is a handsome addition to any home. Fireplaces are available in a variety of styles and sizes adding resale, emergency, and aesthetic value to your home. With a Vanguard wood burning firebox you get the best of both worlds - your family can enjoy it with real wood or combine with a log set to keep the look of a traditional wood burning fireplace without the mess. A Vantage Hearth vented gas log set also available in a variety of styles gives you that real wood fire look. For maximum efficiency close the damper and add a Vantage Hearth vent-free gas log set (and fireplace hood). At 99.9% fuel efficiency you'll get both warmth and savings.

All Vantage Hearth wood fireplace models include:

- Generous viewing areas
- Textured charcoal powder coat paint finish
- Solid steel log grate
- Full refractory firebrick-look liner
- Black chain mesh fire-screen for added safety assurance

Traditional Wood Burning Fireplaces

Vantage Hearth's standard fireplaces offer a beautiful, traditional fireplace setting at an attractive price. The Vantage Hearth wood line is available in Value, Performance, and Premium models. Fireplaces range in size from 36 inches up to 50 inches so you can select the fireplace that best suits your home. Both louvered (circulating) and smooth face (non-circulating) styles are available in the Value and Performance models. The Premium line comes standard with smooth face for a full brick to face design. When combined with an optional blower the circulating model provides additional warmth. The smooth face style allows you to bring finishing products like brick, stone or tile flush with the opening for the look of a masonry fireplace at a more economical price. Refractory brick liners are standard on the Value, Performance and Premium models. Herringbone liners are optional on the Performance and Premium models.



Performance Line Wood Burning Firebox.

All standard fireplaces are offered with optional full insulation to keep cold air out and warm air in. To make installation easier we've added a full length framing flange and drywall stops.

The Performance and Premium models also feature Vantage Hearth's "Gas Log Ready" design. This feature allows you to add Vantage Hearth's vented gas logs with gas connections and controls conveniently recessed out of sight. Additionally, the Performance models feature hidden screen pockets that allow you to tuck the screens out of sight to maximize the fireplace viewing area.



Hidden screen pockets maximize viewing area



Premium Line Wood Burning Fireplace shown with custom mantel.



Vent-Free Blaze n' Glow Pro Logs feature a ramp burner for unsurpassed glow surrounded by random dancing yellow flames plus the sleek ProFlame remote control.



Vented gas logs take beauty and flexibility to a new level. Log sets and burner systems are sold separately, so you can create the look and control system you desire.

Why Choose Vantage Hearth?

Comfort, Beauty, And Savings...The Versatility Of Vantage Hearth. It's easy to see why Vantage Hearth is the most trusted name in zone heating. Our heating and hearth products let you have it all; unmatched comfort, stylish beauty and dramatic energy savings. No matter what your floor plan, space or cost requirements,

Vantage Hearth has a product you can really warm up to. And you'll find it at a full-service retailer who really understands your home and hearth needs. So come in from the cold...and experience the versatility of Vantage Hearth today.

Accessories To Complete The Look

Customize your Vantage Hearth Value or Performance Line Wood Burning Fireplace with a variety of optional doors, blowers, perimeter trims and outside air kits. The Performance models can be paired with beautiful rolled louvers in black finish. Filigree and louver trim are also available.

The perimeter trim, glass doors, louver trim and filigree are offered in four finishes: polished brass, brushed brass, platinum and black. The bi-fold glass doors are easy to install and operate. They offer a beautiful view of the fire while reducing heat loss. An optional triple fan or variable speed deluxe blower can be added to louvered/circulating models to increase the air flow and maximize heat distribution.



Optional Polished Brass Perimeter Trim, Filigree, and Glass Doors



Optional Black Perimeter Trim, Smooth Face Panel, and Glass Doors



Optional Platinum Perimeter Trim, Filigree, and Glass Doors



Optional Platinum Perimeter Trim, Glass Doors, and Black Filigree



Optional Polished Brass Perimeter Trim, Black Smooth Face Panel, and Glass Doors



Optional Platinum Perimeter Trim, Black Smooth Face Panel, and Glass Doors



Optional Sienna Screen Doors in Aged Copper



Optional Valencia Screen Doors in Antique White



Optional Platinum Perimeter Trim, Black Filigree, and Glass Doors



Optional Brushed Brass Perimeter Trim, Glass Doors, and Black Smooth Face Panel



Optional Bi-Fold Glass Doors in Platinum



Optional Polished Brass Perimeter Trim, Glass Doors, and Black Filigree



Optional Brushed Brass Perimeter Trim, Black Rolled Louvers, and Glass Doors

Vanguard Wood Burning Accessories

Bi-Fold Glass Doors (For Value Line)		
MODEL NO	DESCRIPTION	SHIPPING WT.
BDB36	36" Standard Bi-Fold Door - Black	15.0 lbs.
BDB36B	36" Standard Bi-Fold Door - Brushed Brass	15.0 lbs.
BDB36P	36" Standard Bi-Fold Door - Platinum	15.0 lbs.
BDB42	42" Standard Bi-Fold Door - Black	17.0 lbs.
BDB42B	42" Standard Bi-Fold Door - Brushed Brass	17.0 lbs.
BDB42P	42" Standard Bi-Fold Door - Platinum	17.0 lbs.
Bi-Fold Glass Doors (For Performance Line)		
MODEL NO	DESCRIPTION	SHIPPING WT.
BD36	36" Standard Bi-Fold Door - Black	15.0 lbs.
BD36B	36" Standard Bi-Fold Door - Brushed Brass	15.0 lbs.
BD36P	36" Standard Bi-Fold Door - Platinum	15.0 lbs.
BD42	42" Standard Bi-Fold Door - Black	17.0 lbs.
BD42B	42" Standard Bi-Fold Door - Brushed Brass	17.0 lbs.
BD42P	42" Standard Bi-Fold Door - Platinum	17.0 lbs.
Bi-Fold Glass Doors (For Premium Line)		
MODEL NO	DESCRIPTION	SHIPPING WT.
BDG36	36" - Black Finish	14.0 lbs.
BDG36B	36" - Brushed Brass Finish	14.0 lbs.
BDG36P	36" - Platinum Finish	14.0 lbs.
BDG42	42" - Black Finish	20.0 lbs.
BDG42B	42" - Brushed Brass Finish	20.0 lbs.
BDG42P	42" - Platinum Finish	20.0 lbs.
BD50	50" - Black Finish	25.0 lbs.
BD50B	50" - Brushed Brass Finish	25.0 lbs.
BD50P	50" - Platinum Finish	25.0 lbs.
Glass Doors (For Multi-View Fireplaces)		
MODEL NO	DESCRIPTION	SHIPPING WT.
DP368ST	See-Thru Glass Door & End Panel - Polished Brass	14.0 lbs.
DG368ST	See-Thru Glass Door & End Panel - Brushed Brass	14.0 lbs.
DBP368ST	See-Thru Glass Door & End Panel - Black with Brass Trim	14.0 lbs.
DC368ST	See-Thru Glass Door & End Panel - Platinum	14.0 lbs.
VDP36C	Corner Glass Door (1 Side) - Polished Brass	24.0 lbs.
VVG36C	Corner Glass Door (1 Side) - Brushed Brass	24.0 lbs.
VDBP36C	Corner Glass Door (1 Side) - Black with Brass Trim	24.0 lbs.
DC36L/R/LS/RS	Corner Glass Door (1 Side) - Platinum	24.0 lbs.
DPPN36	Peninsula Glass Door (2 pr. & End) - Black	40.0 lbs.
DBPPN36	Peninsula Glass Door (2 pr. & End) - Brushed Brass	40.0 lbs.
DCPN36	Peninsula Glass Door (2 pr. & End) - Platinum	40.0 lbs.
Sienna Screen Doors		
MODEL NO	DESCRIPTION	SHIPPING WT.
CD36RC-2IS	36" Common Chassis Door - Natural Iron	51.0 lbs.
CD36RC-2CS	36" Common Chassis Door - Aged Copper	51.0 lbs.
CD36RC-2WS	36" Common Chassis Door - Antique White	51.0 lbs.
CD42RC-2IS	42" Common Chassis Door - Natural Iron	68.7 lbs.
CD42RC-2CS	42" Common Chassis Door - Aged Copper	68.7 lbs.
CD42RC-2WS	42" Common Chassis Door - Antique White	68.7 lbs.
Valencia Screen Doors		
MODEL NO	DESCRIPTION	SHIPPING WT.
CD36RC-1IS	36" Common Chassis Door - Natural Iron	46.0 lbs.
CD36RC-1SS	36" Common Chassis Door - Aged Silver	46.0 lbs.
CD36RC-1WS	36" Common Chassis Door - Antique White	46.0 lbs.
CD42RC-1IS	42" Common Chassis Door - Natural Iron	56.5 lbs.
CD42RC-1SS	42" Common Chassis Door - Aged Silver	56.5 lbs.

CD42RC-1WS	42" Common Chassis Door - Antique White	56.5 lbs.
Face and Louvers Panels (For Performance Line)		
MODEL NO	DESCRIPTION	SHIPPING WT.
SP36	36" Smooth Face Panel Kit - Black	5.0 lbs.
SL36	36" Stamped Louver Panel Kit - Black	5.0 lbs.
RL36	36" Rolled Louver Panel Kit - Black	9.0 lbs.
FP36	36" Filigree Panel Kit - Black	5.0 lbs.
FP36B	36" Filigree Panel Kit - Brushed Brass	5.0 lbs.
FP36P	36" Filigree Panel Kit - Platinum	5.0 lbs.
SP42	42" Smooth Face Panel Kit - Black	6.0 lbs.
SL42	42" Stamped Louver Panel Kit - Black	6.0 lbs.
RL42	42" Rolled Louver Panel Kit - Black	11.0 lbs.
FP42	42" Filigree Panel Kit - Black	6.0 lbs.
FP42B	42" Filigree Panel Kit - Brushed Brass	6.0 lbs.
FP42P	42" Filigree Panel Kit - Platinum	6.0 lbs.
Louver Trim (For Performance Line)		
MODEL NO	DESCRIPTION	SHIPPING WT.
LT36B	4-pc. 36" Rolled Louver Trim Kit - Brushed Brass	3.0 lbs.
LT36P	4-pc. 36" Rolled Louver Trim Kit - Platinum	3.0 lbs.
LT42B	4-pc. 42" Rolled Louver Trim Kit - Brushed Brass	4.0 lbs.
LT42P	4-pc. 42" Rolled Louver Trim Kit - Platinum	4.0 lbs.
Perimeter Trim (For Performance Line)		
MODEL NO	DESCRIPTION	SHIPPING WT.
PT36	36" Perimeter Fireplace Trim - Black	3.0 lbs.
PT36B	36" Perimeter Fireplace Trim - Brushed Brass	3.0 lbs.
PT36P	36" Perimeter Fireplace Trim - Platinum	3.0 lbs.
PT42	42" Perimeter Fireplace Trim - Black	4.0 lbs.
PT42B	42" Perimeter Fireplace Trim - Brushed Brass	4.0 lbs.
PT42P	42" Perimeter Fireplace Trim - Platinum	4.0 lbs.
Heating Circulating Fan Kits		
MODEL NO	DESCRIPTION	SHIPPING WT.
BK	Manual Fan, Variable Speed	5.0 lbs.
BK3	Triple Fan, Manual Control	3.0 lbs.
VCBK4R	Two-Fan Kit for Right Side Corner Fireplace (V36R)	7.0 lbs.
VCBK4L	Two-Fan Kit for Left Side Corner Fireplace (V36L)	7.0 lbs.
Outside Air Kits		
MODEL NO	DESCRIPTION	SHIPPING WT.
AK4	Complete 4" Air Kit w/ Collars, Hood and 3' Flex Hose	1.0 lbs.
AK4X	4" Air Kit. Collars and Hood Only	1.0 lbs.
AK4B	50 pc. Bulk Collars Only Kit	20.0 lbs.

Wood Burning Fireplaces



Corner Wood Burning Fireplace



See-Thru Wood Burning Fireplace

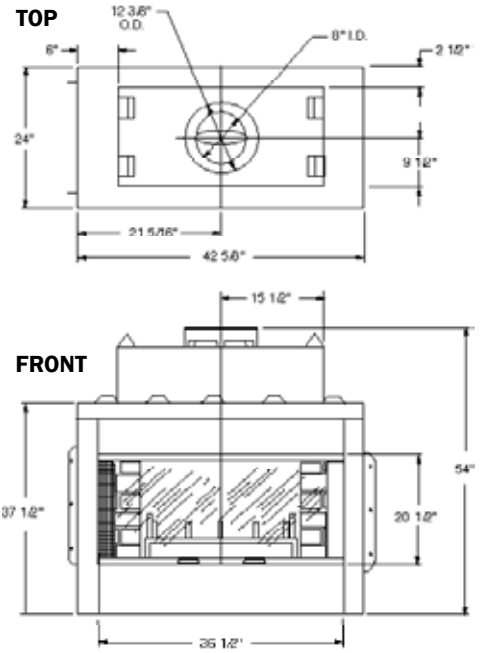


Peninsula Wood Burning Fireplace

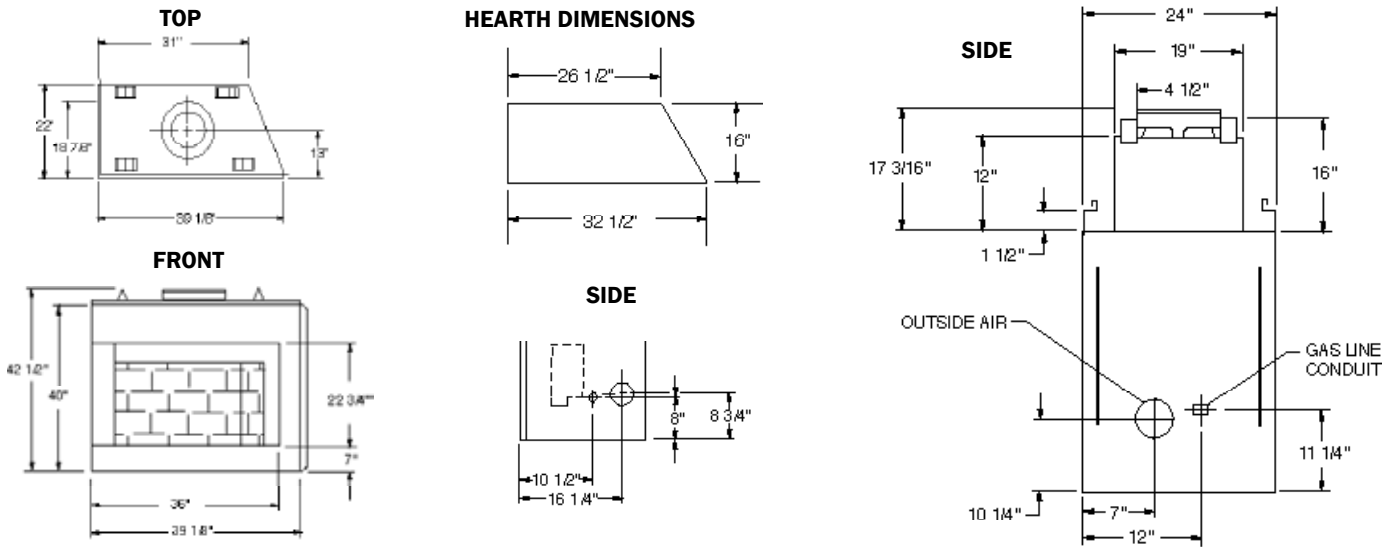
Multi-View Wood Burning Fireplaces

Multi-view fireboxes are available in See-Thru, Peninsula and Corner models. The See-Thru model allows you to enjoy the beauty of the same fireplace from two rooms. This unit is ideal for either new construction or an addition to an existing wall. The Peninsula Fireplace is a perfect match for a custom home or office. This model is equally beautiful when viewed from any of the three open sides. Vantage Hearth's Corner Fireplace is the perfect space saver model. These units, available in both left and right facing fireplaces, will blend into any open cornered wall or can be incorporated into room dividers. These unique designs offer a full 180° fireplace viewing area. All models can be customized with glass door kits and outside air kits.

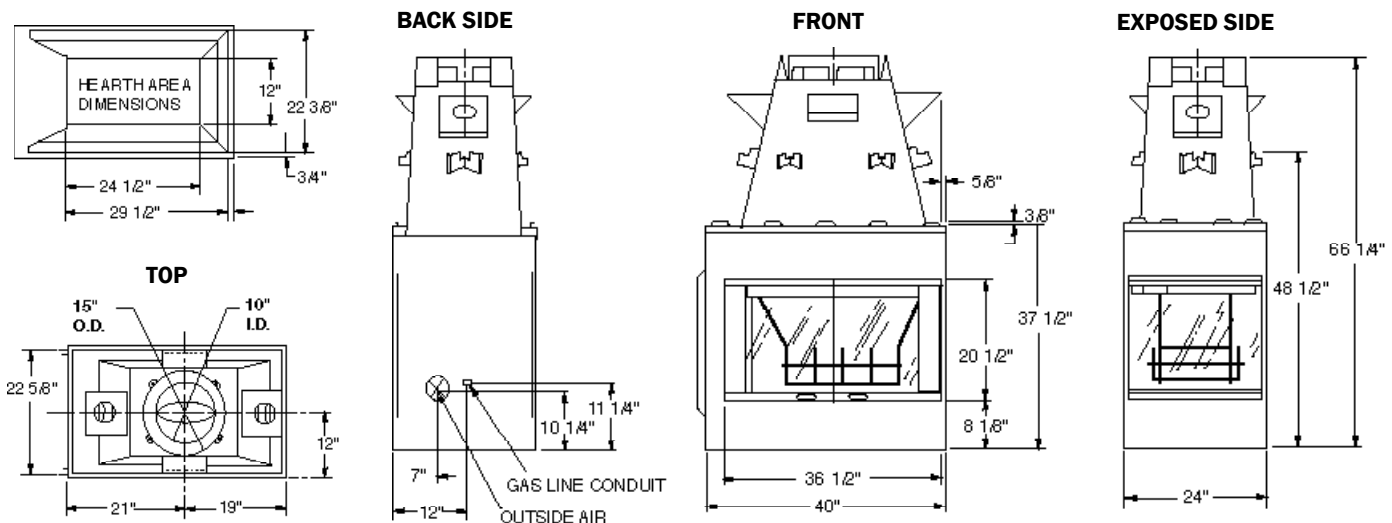
Peninsula Fireplace (Uses 12" Pipe System)		
MODEL NO	DESCRIPTION	SHIPPING WT.
VPN36-A	36" Non-Circulating Smooth Face, Three Sides Open Firebox	276.0 lbs.
See-Thru Fireplaces (*Uses 8" Pipe System *Uses 12" Pipe System)		
MODEL NO	DESCRIPTION	SHIPPING WT.
V368ST*	36" Non-Circulating Smooth Face See-Thru Firebox	225.0 lbs.
VI368ST*	36" Non-Circulating Smooth Face See-Thru Firebox with Full Insulation	225.0 lbs.
V3612ST*	36" Non-Circulating Smooth Face See-Thru Firebox	225.0 lbs.
Corner Fireplaces (Uses 8" Pipe System)		
MODEL NO	DESCRIPTION	SHIPPING WT.
V36RS	36" Non-Circulating Smooth Face, Right Side Open Firebox	192.0 lbs.
VI36RS	36" Non-Circulating Smooth Face, Right Side Open Firebox with Full Insulation	192.0 lbs.
V36LS	36" Non-Circulating Smooth Face, Left Side Open Firebox	192.0 lbs.
VI36LS	36" Non-Circulating Smooth Face, Left Side Open Firebox with Full Insulation	192.0 lbs.
V36R	36" Louvered Face Circulating, Right Side Open Firebox	192.0 lbs.
VI36R	36" Louvered Face Circulating, Right Side Open Firebox with Full Insulation	192.0 lbs.
V36L	36" Louvered Face Circulating, Left Side Open Firebox	192.0 lbs.
VI36L	36" Louvered Face Circulating, Left Side Open Firebox with Full Insulation	192.0 lbs.



CORNER FIREPLACE DIMENSIONS



PENINSULA FIREPLACE DIMENSIONS



Wood Burning Fireplaces

Standard Fireplace Product Specifications

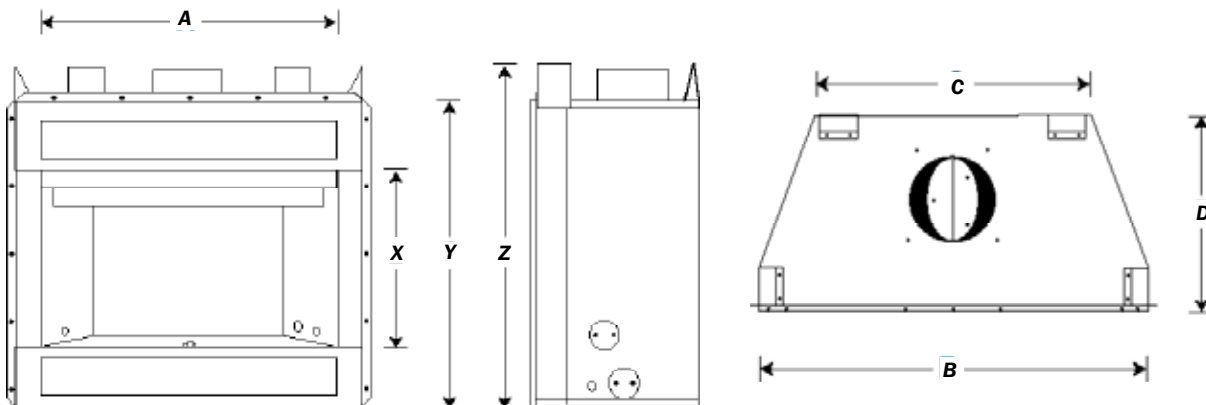
Value Line Series (Uses 8" Pipe System)		
MODEL NO	DESCRIPTION	SHIPPING WT.
VB361	36" Non-Circulating Smooth Face Wood Burning Fireplace	150.0 lbs.
VB36I1	36" Non-Circulating Smooth Face Wood Burning Fireplace with Full Insulation	150.0 lbs.
VB36L1	36" Circulating Wood Burning Fireplace with Stamped Louvers	150.0 lbs.
VB36LI1	36" Circulating Wood Burning Fireplace with Stamped Louvers and Full Insulation	150.0 lbs.
VB421	42" Non-Circulating Smooth Face Wood Burning Fireplace	180.0 lbs.
VB42I1	42" Non-Circulating Smooth Face Wood Burning Fireplace with Full Insulation	180.0 lbs.
VB42L1	42" Circulating Wood Burning Fireplace with Stamped Louvers	180.0 lbs.
VB42LI1	42" Circulating Wood Burning Fireplace with Stamped Louvers and Full Insulation	180.0 lbs.
Performance Line Series (Uses 8" Pipe System)		
MODEL NO	DESCRIPTION	SHIPPING WT.
VC361	36" Non-Circulating Smooth Face Wood Burning Fireplace with Standard Refractory Brick Liner	184.0 lbs.
VC36I1	36" Non-Circulating Smooth Face Wood Burning Fireplace with Full Insulation and Standard Refractory Brick Liner	184.0 lbs.
VC36H1	36" Non-Circulating Smooth Face Wood Burning Fireplace with Full Insulation and Herringbone Refractory Brick Liner	184.0 lbs.
VC36L1	36" Circulating Wood Burning Fireplace with Standard Refractory Brick Liner	184.0 lbs.
VC36LI1	36" Circulating Wood Burning Fireplace with Full Insulation and Standard Refractory Brick Liner	184.0 lbs.
VC36LH1	36" Circulating Wood Burning Fireplace with Full Insulation and Herringbone Refractory Brick Liner	184.0 lbs.
VC421	42" Non-Circulating Smooth Face Wood Burning Fireplace with Standard Refractory Brick Liner	224.0 lbs.
VC42I1	42" Non-Circulating Smooth Face Wood Burning Fireplace with Full Insulation and Standard Refractory Brick Liner	224.0 lbs.
VC42H1	42" Non-Circulating Smooth Face Wood Burning Fireplace with Full Insulation and Herringbone Refractory Brick Liner	224.0 lbs.
VC42L1	42" Circulating Wood Burning Fireplace with Standard Refractory Brick Liner	224.0 lbs.
VC42LI1	42" Circulating Wood Burning Fireplace with Full Insulation and Standard Refractory Brick Liner	224.0 lbs.
VC42LH1	42" Circulating Wood Burning Fireplace with Full Insulation and Herringbone Refractory Brick Liner	224.0 lbs.
Premium Line Series (Uses 12" Pipe System)		
MODEL NO	DESCRIPTION	SHIPPING WT.
VG36	36" Smooth Faced Wood Burning Fireplace with Insulation	450.0 lbs.
VG36H	36" Smooth Faced Wood Burning Fireplace with Insulation and Herringbone Refractory Brick Lined Interior	450.0 lbs.
VG42	42" Non-Circulating Smooth Face Wood Burning Fireplace with Full Insulation and Standard Refractory Brick Liner	600.0 lbs.
VG42H	42" Non-Circulating Smooth Face Wood Burning Fireplace with Full Insulation and Herringbone Refractory Brick Liner	600.0 lbs.
VG50	50" Non-Circulating Smooth Wood Burning Fireplace with Full Insulation and Standard Refractory Brick Liner	630.0 lbs.
VG50H	50" Non-Circulating Smooth Face Wood Burning Fireplace with Full Insulation and Herringbone Refractory Brick Liner	630.0 lbs.

Note: For Outdoor Wood Burning Fireplaces, please refer to Brochure #FA6317. For Masonry Fireplaces, please refer to Brochure #FA6959.

Wood Burning Fireplace Dimensions

MODEL NO.	A	B	C	D	X	Y	Z
36" Value Line	36	38	22 5/8	21 1/8	21 3/8	33 1/2	37 1/2
36" Performance Line	35	41	29	21 1/8	21	36	40 1/4
42" Value Line	42	44	28 1/2	21 1/8	21 3/8	33 1/2	37 1/2
42" Performance Line	42	48	36	23	24	40	44 1/4
36" Premium Line	36	45	29 1/8	26 1/2	30	49	66 1/4
42" Premium Line	42	51	30 1/2	29	30	49	67
50" Premium Line	50	59	38 1/2	29	30	49	67

Note: All measurements are in inches. Dimensions in this catalog are approximate. For accurate dimensions, refer to the installation instructions.



IMPORTANT

Installation must be done by qualified service persons.
 Read owners manual before using.
 Check local codes and ordinances for permitted uses.
 We reserve the right to amend product specifications without notice.
 The only warranty we offer is our standard warranty. Please read the warranty for any limitations or disclaimers.



Look For Us Online:
www.fmiproducts.com

ICC-ES Evaluation Report#
 ESR-2542