

Victorian

THE RENAISSANCE SERIES

36" AND 42" DIRECT VENT GAS FIREPLACES
VC36 and VC42 Model Series

Perfect Blend Of
Beauty And
Performance



Stylish extras for homeowners...Better value for builders

FIREPLACES
FOR BUILDERS
Fmi

Timeless Beauty— And The Latest Technologies

Fmi's Victorian fireplaces are the ideal match for today's energy-efficient homes. They're the centerpiece of our exciting new Versa Fire™ direct-vent gas fireplace line, which offer future proof, upgradeable log and burner designs with common sizing and construction ...plus beautiful new features homeowners will love!

Homeowner Highlights:

- Distinctive Looks**—The Victorian features new split oak ceramic fiber logs with exquisite detail and glow. Note the random, multi-tiered flame pattern and realistic glowing ember bed burner... plus real woodburning log grate with andiron enhancers.
- Flexibility**—The Versa Fire™ modular design allows the homeowner the opportunity to remodel their fireplace; upgrading the burner and log system at any time now or in the future.
- Massive Viewing Area**—The Victorian's tall profile captures the industry's largest glass viewing area in both 36" and 42" size categories.
- Operation and Maintenance are a Breeze**—Operates from wall switch or remote control. Hinged door swings open for easy maintenance and never needs adjustment.

Builder Benefits:

- Modular Design**—Fmi's unique Versa-Fire platform allows the builder the opportunity to install fireplace chassis' in the framing stage, without having to set the burner and log system until finish. This minimizes jobsite loss or damage, with the flexibility of upgrading models right up to closing.
- Simple, Secure, and Straight Installation**—Victorians include fully unitized logsets for ease of installation, and they frame straight and sturdy every time with full-length drywall stopping nailing flanges.
- Venting Options**—The Victorian's 45° slant back design lets you choose between horizontal and vertical venting of our 5" - 8" pipe for painless installation in any location.
- More Standard Features**—Tough, powder coat finish, Flex gas connector, shut-off valve and pre-wired "J" box are all standard.



VC36NB includes traditional stacked brick panels and natural gas control system.



VC42NHE is our 42" electronic propane gas model with herringbone pattern refractory brick liner.

Victorian Product Offering Summary

- 36" and 42" Viewing Area Widths
- Millivolt or Electronic Ignition
- Natural Gas or Propane Fuel
- Black Finished, Traditional Stacked, or Herringbone brick Refractory Options.
- All Fireplaces use 5" - 8" Pipe.
- Approved ANSI Z21.88



Victorian models product random, tiered flame patterns and gorgeous, glowing ember bed.



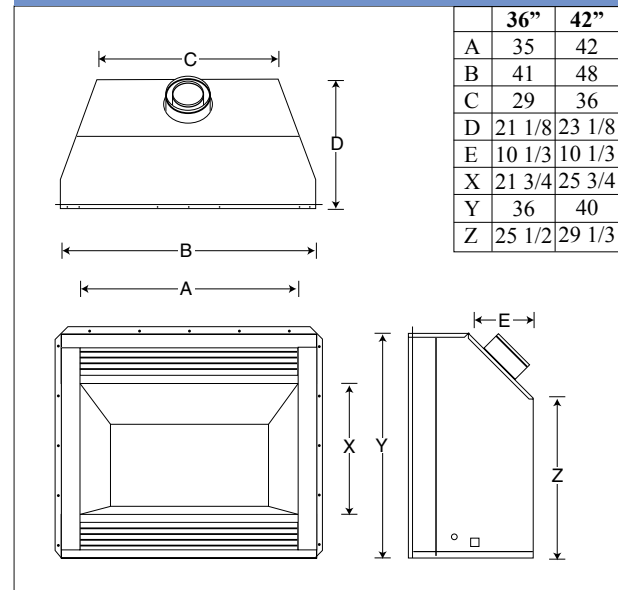
Hinged tool-less entry glass door swings open for easy maintenance and never needs adjustment.

Size	BTU(NG)	BTU(LP)
36"	22,400-32	20-28,000
42"	25-36,000	23-33,000

Accessory Offering Summary

- Custom Designed Mantels
- Designer Door Facings
- Decorative Filigree Top and Bottom Panels in Black, Brass, or Platinum
- Multi-Function Remote Controls Kits
- Rolled Louver Trim (Brass & Platinum)
- Perimeter Trim Kits (Black, Brass & Platinum)
- Heat Circulating Fan Kits
- Heat Deflection Hoods
- Fuel Conversion Kits

Firebox Dimensions



DESA, FMI-LLC
www.fmifireplace.com
(866) 328-4537