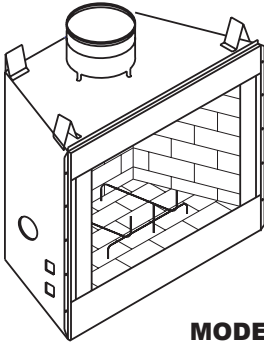




**FMI PRODUCTS, LLC**

**RESIDENTIAL AND OUTDOOR WOOD BURNING FIREPLACE  
OWNER'S OPERATION AND INSTALLATION MANUAL**



**MODELS (V)S42 SERIES**

**SAVE THIS BOOK**

This book is valuable. In addition to instructing you on how to install and maintain your appliance, it also contains information that will enable you to obtain replacement parts or accessory items when needed. Keep it with your other important papers.

This fireplace is approved for use as a wood burning fireplace or for use with a vented gas log approved to ANS Z21.60, or Z21.84 standards or for use with a vent-free gas log heater approved to ANS Z21.11.2 standard. A FMI PRODUCTS, LLC hood must be installed when using a vent-free log heater (see , page 16).

This wood burning fireplace complies with UL127-CAN/ULS-S610-M87 standard as a **FACTORY BUILT APPLIANCE**.

**FOR CANADA:** The authority having jurisdiction (such as the municipal building department, fire department, etc.) should be contacted before installation to determine the need to obtain a permit.

**INSTALLER:** Leave this manual with the appliance.  
**CONSUMER:** Retain this manual for future reference.

## TABLE OF CONTENTS

Safety .....	2	Operation and Maintenance Guidelines .....	12
Specifications .....	3	Parts .....	14
Fireplace Installation.....	4	Technical Service.....	17
Venting Installation .....	6	Accessories .....	17
Optional Gas Line Installation.....	11		

## SAFETY

**⚠ WARNING: Improper installation, adjustment, alteration, service or maintenance can cause injury, property damage or loss of life. Refer to this manual for assistance or additional information. Consult a qualified installer or local distributor.**

**IMPORTANT: Check local codes before installing this fireplace.**

Before beginning the installation of the fireplace, read these instructions through completely.

- This FMI PRODUCTS, LLC fireplace and its components are safe when installed according to this installation manual. Unless you use FMI PRODUCTS, LLC components, which have been designed and tested for the fireplace system, you may cause a fire hazard.
- The FMI PRODUCTS, LLC warranty will be voided by and FMI PRODUCTS, LLC disclaims any responsibility for the following actions.
  - a. Modification of the fireplace, components, doors, air inlet system and damper control.
  - b. Use of any component part not manufactured or approved by FMI PRODUCTS, LLC in combination with a FMI PRODUCTS, LLC fireplace system.

Proper installation is the most important step in ensuring safe and continuous operation of the fireplace. Consult the local building codes as to the particular requirements concerned with the installation of all factory built fireplaces.

**⚠ WARNING: Do not install a fireplace insert in this box unless the manufacturer's instructions with the insert specifically state this fireplace has been tested for use with this insert.**

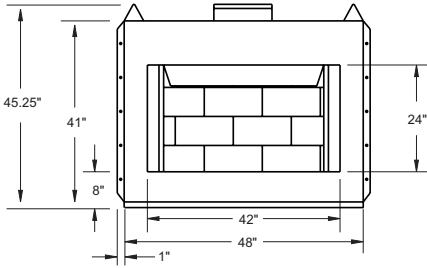
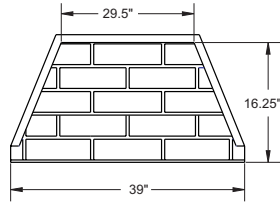
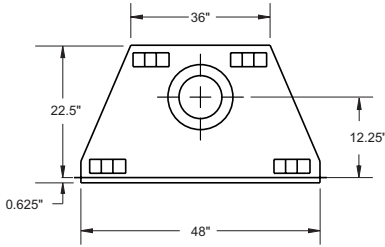
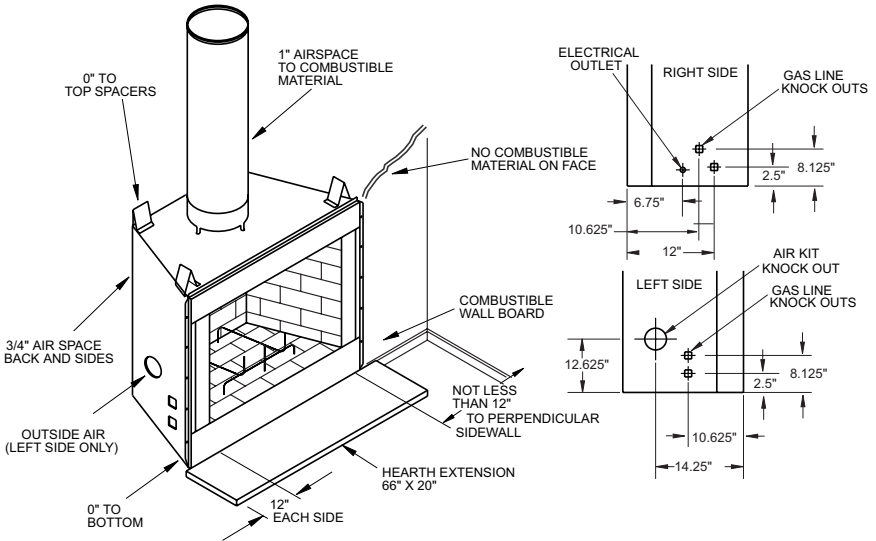
### FOR YOUR SAFETY

- Do not store or use gasoline or any other flammable vapors or liquids in the vicinity of this or any other appliance.
- Due to high temperatures, the appliance should be located out of traffic and away from furniture and draperies.
- Do not place clothing or other flammable materials on or near the appliance.
- Never leave children unattended when a fire is burning in the fireplace.

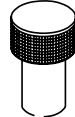
**⚠ WARNING: Use solid wood or processed solid fuel firelogs only. When processed wood fuel fire logs are used, do not poke or stir the logs while they are burning. Use only fire logs that have been evaluated for the application in fireplace and refer to fire log warnings and caution markings on packaging prior to use.**

**This fireplace is not intended to be used as a substitute for a furnace to heat an entire home. Use for supplemental heat only.**

# SPECIFICATIONS



ROUND TOP TERMINATION



SQUARE CHASE-TOP TERMINATION



# FIREPLACE INSTALLATION

## SELECTING LOCATION

To determine the safest and most efficient location for the fireplace, you must take into consideration the following guidelines:

1. The location must allow for proper clearances (see Figures 1 and 2).
2. Consider a location where the fireplace will not be affected by drafts, air conditioning ducts, windows or doors.
3. A location that avoids the cutting of joists or roof rafters will make installation easier.
4. An outside air kit is available with this fireplace (see *Optional Outside Air Kit* on page 6).

## MINIMUM CLEARANCE TO COMBUSTIBLES

Back and sides of fireplace	3/4" minimum*
Floor**	0" minimum
Perpendicular wall to opening	12" minimum
Top spacers	0" minimum
Mantel clearances	see <i>Mantels</i> , page 5
Chimney outer pipe surface	1" minimum

\* Not required at nailing flanges

\*\* See step 2 of *Framing*

**WARNING: Do not pack required air spaces with insulation or other materials.**

## Minimum/Maximum Chimney Height for Residential Installation

The minimum height of the chimney, measured from the base of the fireplace to the flue gas outlet of the termination, is 14.5 feet for straight flue or a flue with one elbow set. The maximum distance between elbows is 6 feet. For systems with two elbow sets, the minimum height is 22 feet. The maximum height of any system is 50 feet. This measurement includes the fireplace, chimney sections and the height of the termination assembly at the level of the flue gas outlet (see Figure 18, page 11).

## Minimum/Maximum Chimney Height for Outdoor Installation

The minimum height of the chimney, measured from the base of the fireplace to the flue gas outlet of the termination, is 8 feet (minimum of 4 feet of chimney pipe sections required for outdoor installation).

## FRAMING

1. Frame opening for the fireplace using dimensions shown in Figures 1 and 2.
2. If fireplace is to be installed directly on carpeting, tile (other than ceramic) or any combustible material other than wood flooring, the fireplace must be installed upon a metal or wood panel extending the full width and depth of the fireplace.
3. Set fireplace directly in front of this opening and slide the unit back until nailing flanges touch the side framing.
4. Check the level of the fireplace and shim with sheet metal if necessary.
5. Before securing fireplace to prepared framing, the ember protector (provided) must be placed between the hearth extension (not supplied) and under bottom front edge of fireplace to protect against glowing embers falling through. If fireplace is to be installed on a raised platform, a Z-type ember protector (not supplied) must be fabricated to fit your required platform height. The ember protector should extend under fireplace a minimum of 1 1/2". The ember protector should be made of galvanized sheet metal (28 gauge minimum) to prevent corrosion.
6. Using screws or nails, secure fireplace to framing through flanges located on the sides of fireplace.

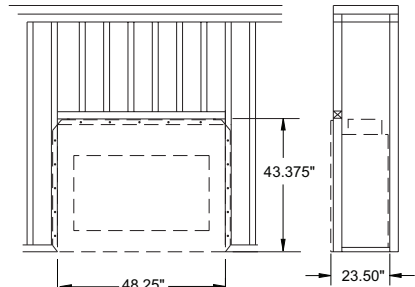


Figure 1 - Framing Dimensions

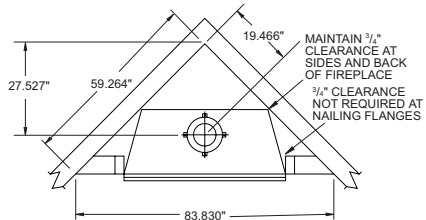


Figure 2 - Corner Installation

# FIREPLACE INSTALLATION

## DRAIN PAN (DP42)

For outdoor installations, the fireplace enclosure must allow for adequate drainage and fresh air ventilation. It is recommended that a sealed, corrosion resistant catch pan with provision for drainage be installed under the fireplace within the fireplace enclosure (see *Accessories*, page 16).

## HEARTH EXTENSION

A hearth extension projecting a minimum of 20" in front of and a minimum of 12" beyond each side of the fireplace opening is required to protect combustible floor construction in front of the fireplace. Fabricate a hearth extension using a material which meets the following specifications: a layer of noncombustible, inorganic material having a thermal conductivity of  $K=0.84$  BTU IN/FT, HR. F (or less) at 1" thick. For example, if the material selected has a K factor of 0.25, such as glass fiber, the following formula would apply:

$$\frac{0.25}{0.84} \times 1.0" = 0.30" \text{ thickness required}$$

Thermal conductivity "K" of materials can be obtained from the manufacturer or supplier of the noncombustible material. If the hearth extension is to be covered, use noncombustible material such as tile, slate, brick, concrete, metal, glass, marble, stone, etc. Provide a means to prevent the hearth extension from shifting and seal gap between the fireplace frame and hearth extension with a noncombustible material (see Figure 3).

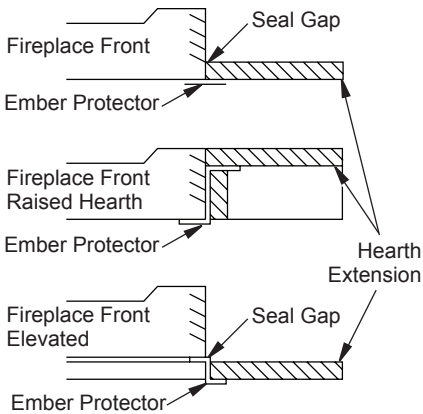


Figure 3 - Hearth Extension

**⚠ WARNING: Hearth extension is to be installed only as shown in Figure 3.**

## MANTELS

A mantel may be installed if desired (see Figure 4). Woodwork such as wood trims, mantels or any other combustible material projecting from front face must not be placed within 12" of the fireplace opening. Combustible materials above 12" and projecting more than 1 1/2" from the fireplace must not be placed less than 15" from top opening of the fireplace (NFPA STD 211, Sec. 7-3.3.3).

Mantels or any other combustible material also may come up to the side edge of the black metal face of the fireplace just as long as the projection from the front face fall within the limit shown in Figure 4.

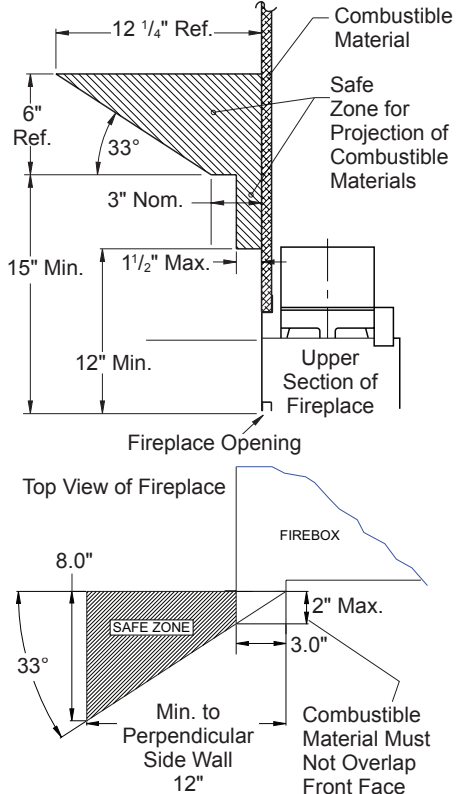


Figure 4 - Mantel Clearances to Combustible Material

# VENTING INSTALLATION

## OPTIONAL OUTSIDE AIR KIT (MODEL AK4/AK4F)

The installation of an outside air kit should be performed during the rough framing of the fireplace due to the nature of its location. Outside combustion air is accessed through a vented crawl space (AK4F) or through a sidewall (AK4).

**CAUTION: Combustion air inlet ducts shall not terminate in attic space.**

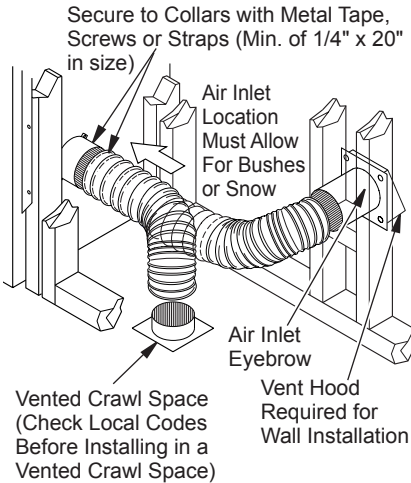


Figure 5 - Outside Air Kit

## CHIMNEY PIPE

The FMI PRODUCTS, LLC chimney system consists of 12", 18", 24", 36" and 48" snap-lock, double-wall pipe segments, planned for maximum adaptability to individual site requirements. Actual lengths gained after fitting overlaps must be taken into consideration (lineal gain) and are given in the lineal gain chart (see Figure 6). Lineal gain is the actual measurable length of a part after two or more parts are connected. For Canada, use chimney parts designated "HT".

**WARNING: The opening in the collar around the chimney at the top of the fireplace must not be obstructed. Never use blown insulation to fill the chimney enclosure.**

LINEAL GAIN		
PART NO.	DESCRIPTION	GAIN
42"	Fireplace	44"
12-8DM 12-8HT	Pipe Section	10 5/8"
18-8DM 18-8HT	Pipe Section	16 5/8"
24-8DM 24-8HT	Pipe Section	23 5/8"
36-8DM 36-8HT	Pipe Section	34 5/8"
48-8DM 48-8HT	Pipe Section	46 5/8"
RT-8DM	Round Termination	6 7/8"*
RTL-8DM	Round Termination	7 3/4"*
RTT-8DM	Round Termination with Slip Section	6 7/8" to 23 1/8"**
RTTL-8DM	Round Termination with Slip Section	8 1/2" to 21 1/2"*
ET-8DM	Square Chase-Top	12"*
ETO-8DM	Square Chase-Top with Mesh	12"*
ETL-8DM	Square Chase-Top with Slip Section	7" to 15"*
ETLO-8DM	Square Chase-Top with Mesh & Slip Section	12" to 25 1/2"**

\* The lineal gain for the terminations is measured to the flue gas outlet height.

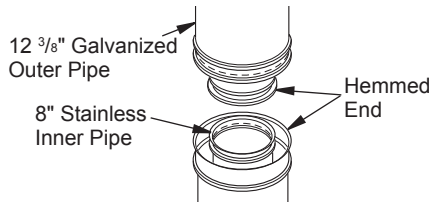


Figure 6 - Lineal Gain

## ASSEMBLY AND INSTALLATION OF DOUBLE WALL CHIMNEY SYSTEM

Each double wall chimney section consists of a galvanized outer pipe, a stainless steel inner flue pipe and a wire spacer. Pipe sections must be assembled independently as the chimney is installed. When connecting chimney directly to fireplace, the inner flue pipe section must be installed first with lanced side up. The outer pipe section can then be installed over the flue pipe section with hemmed end up. Press down on each pipe section until lances securely engage hem on fireplace starter. The wire will assure the proper spacing between inner and outer pipe sections.

# VENTING INSTALLATION

Continued

Continue to assemble chimney sections as outlined, making sure that both the inner and outer pipe sections are locked together. When installing double wall snap-lock chimney together, it is important to assure the joint between the chimney sections is locked. Check by pulling chimney upward after locking. The chimney will not come apart if properly locked. It is not necessary to add screws to keep chimney together (exception - see Figure 9, page 8).

## USING ELBOW OFFSETS (30E-8DM)

1. To achieve desired offset, you may install combinations of 12", 18", 24", 36" and 48" length of double wall pipe (see offset chart and Figure 7).
2. Chimney weight above offset rests on return elbow. Straps must be securely nailed to rafters or joists (see Figure 8, details A and B on page 8).
3. Maximum length of pipe between supports (return elbow or 12S-8DM) is 6' of angle run. Maximum of two 6' angle run sections per chimney system (see Figure 7).
4. All pipe connections between the offset and return must be secured with two screws on the outer pipe only (see Figure 9, page 8). Do not penetrate the inner stainless.

OFFSET	RISE	CHIMNEY LENGTH				
		48"	36"	24"	18"	12"
4 3/8"	16 3/8"	ELBOW SET ONLY				
9 3/4"	25 1/2"					1
12 3/4"	30 3/4"				1	
15"	34 3/4"			1		
18"	40"				1	1
21 1/4"	46 1/4"	1				
23 3/4"	49 1/4"			1	1	
27 3/4"	56 3/4"	1				
30"	60 3/4"		1		1	
33"	66"	1				1
36"	71"	1			1	
38 1/4"	75"		2			
41 1/4"	80 1/4"	1			1	1
45"	86 3/4"		2			
46 3/4"	89 1/2"	1			1	1
51"	97"	1	1			
53 1/4"	101"		2		1	
56 1/4"	106 1/4"	2				
59 1/4"	111 1/2"	1	1		1	
61 3/4"	115 1/2"	2				1
64 3/4"	120 3/4"	2			1	
68 1/4"	127"	1	2			
70"	130"	2			1	1
74 1/4"	137 1/2"	1	2			1
76 3/4"	141 1/2"	1	2		1	
79 3/4"	146 3/4"		4			

OFFSET CHART (22-50 FT. SYSTEM HEIGHT)

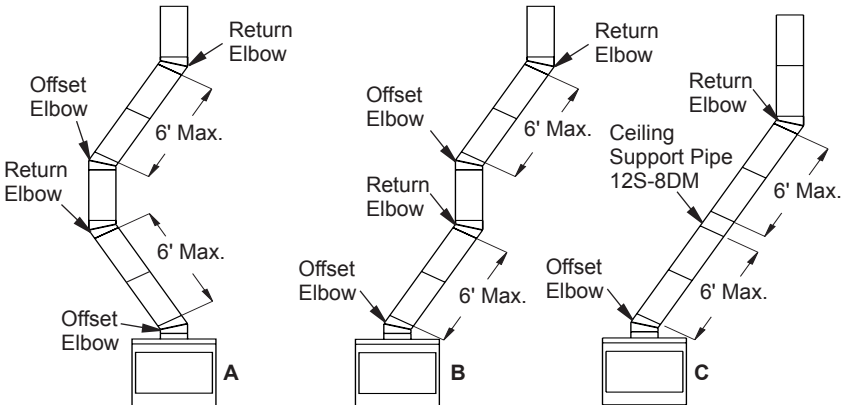
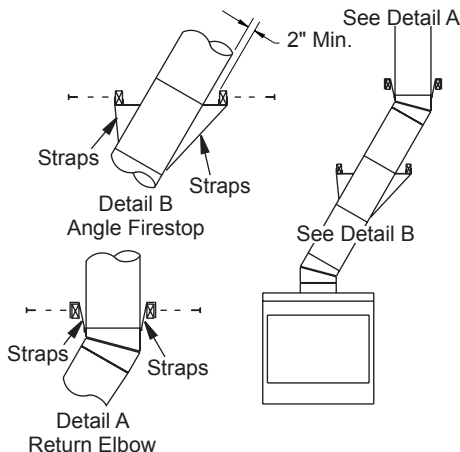


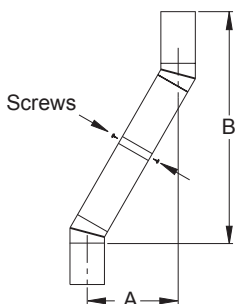
Figure 7 - Typical Offset Terminations

# VENTING INSTALLATION

Continued



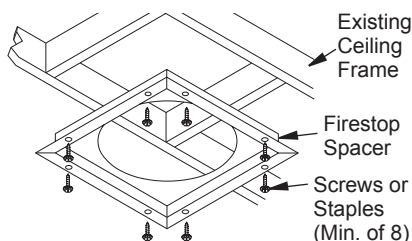
**Figure 8 - Ceiling Support Pipe  
12S-8DM**



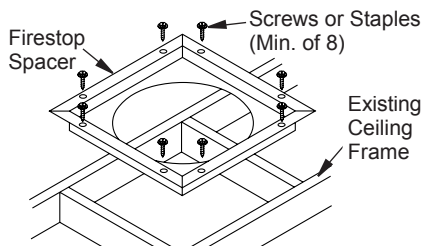
**Figure 9 - Elbow Offset**

## FIRESTOP SPACERS (FS-8DM)

Firestop spacers are required at each point where the chimney penetrates a floor space. Their purpose is to establish and maintain the required clearance between the chimney and the combustible materials. When the pipe passes through a framed opening into a living space above, the firestop must be placed onto the ceiling from below as shown in Figure 10. They also provide complete separation from one floor space to another or attic space as required by most codes. When the double wall pipe passes through a framed opening into an attic space, the firestop must be placed into an attic floor as shown in Figure 11.



**Figure 10 - Firestop Spacer with Living Space Above Ceiling**



**Figure 11 - Firestop Spacer with Attic Space Above Ceiling**

## PENETRATING ROOF

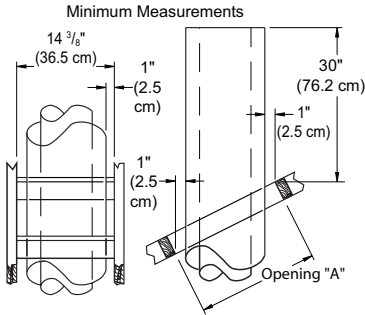
To maintain a 1" clearance to the pipe on a roof with a pitch, a rectangular opening must be cut.

1. Determine the center point through which the pipe will penetrate the roof.
2. Determine the center point of the roof. Pitch is the distance the roof drops over a given span, usually 12". A 6/12 pitch means that the roof drops 6" for each 12" one measure horizontally down from the roof rafters.
3. Use the roof opening chart (Figure 12, page 9) to determine the correct opening length and flashing required.
4. Remove the shingles around the opening measured. Cut out this section.
5. Add the next sections of the pipe until the end penetrates the roof line. Check to see that the proper clearances are maintained. Extend chimney by adding sections of double wall pipe until pipe is minimum of 30" above the highest point of the roof cut-out. Termination and chimney must extend a minimum of 36" above the highest point where it passes through the roof.



# VENTING INSTALLATION

Continued



Pitch	Slope	Opening "A" Max.	Used Flashing Model No.
Flat	0°	15"	V6F-8DM
0-6/12	26.6°	16 1/8"	V6F-8DM
6/12-12/12	45.0°	20 3/8"	V12F-8DM

Figure 12 - Roof Opening Measurements

## FLASHING INSTALLATION (V6F-8DM OR V12F-8DM)

Determine the flashing to be used with the roof opening chart. Slide flashing over pipe until base is flat against roof. Replace as many shingles as needed to cover exposed area and flashing base. Secure in position by nailing through shingles (see Figure 13). DO NOT NAIL THROUGH FLASHING CONE.

### Installing Flashing on a Metal Roof

When installing the flashing on a metal roof, it is required that putty tape be used between the flashing and the roof. The flashing must be secured to the roof using #8 x 3/4" screws and then sealed with roof coating to prevent leakage through the screw holes. A roof coating must also be applied around the perimeter of the flashing to provide a proper seal.

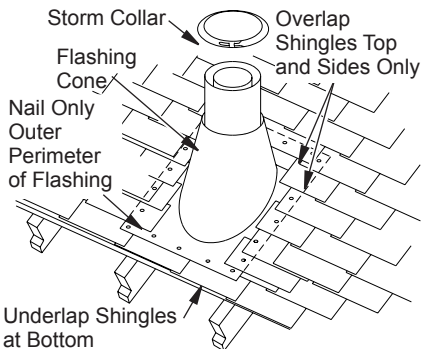


Figure 13 - Flashing Installation

### Storm Collar Installation (SC1 or SC2)

Place storm collar over pipe and slide down until it is snug against the open edge of the flashing (see Figure 14). Use SC1 for all round terminations and SC2 for all terminations with slip sections. Apply waterproof caulk around the perimeter of the collar to provide a proper seal.

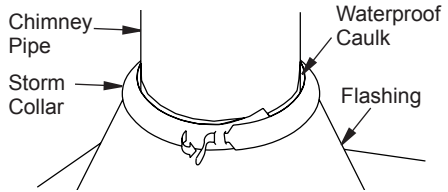


Figure 14 - Storm Collar

### Terminations/Spark Arrestor

The fireplace system must be terminated with the listed round top or chase terminations. In any case, refer to the installation instructions supplied with the termination. The termination approved for this fireplace are the RT-8DM and RTL-8DM that can be used for flashing or chase and ET-8DM, ETO-8DM, ETL-8DM and ETLO-8DM for chase style termination only. Figure 15 shows an RTL-8DM round top termination.

**CAUTION: Do not seal openings on the rooftop flashing. Follow the installation instructions provided with the termination being used.**

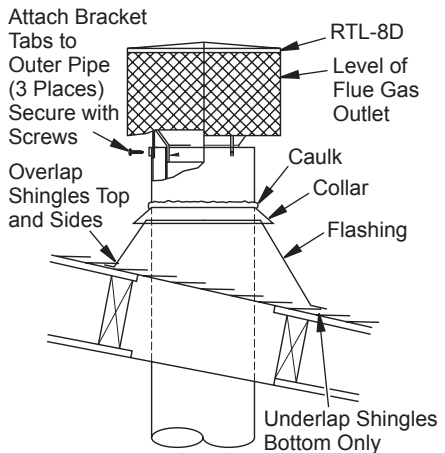


Figure 15 - Termination

# VENTING INSTALLATION

Continued

Terminations with 16" slip pipe sections are available. The RTT-8DM and RTTL-8DM are approved for flashing installations. When needed, these adjustable terminations may be used in combination with the pipe assembly to achieve the correct chimney height.

*Note: In the rare instance there is a problem with the side driven rain or wind or the chimney is not drafting properly, an ADS-8DM (Anti-Draft Shield) can be used with round terminations.*

## CHASE INSTALLATIONS

Instructions for chase installations are included with the chase style termination chosen. In a multiple chase installation, be sure to provide adequate distance between terminations to prevent smoke spillage from one termination to another. We suggest that terminations be separated at least 24", center to center and stacked at a vertical height difference of 18" (see Figure 16).

*Note: If a decorative shroud is to be installed, contact the manufacturer for specifications.*

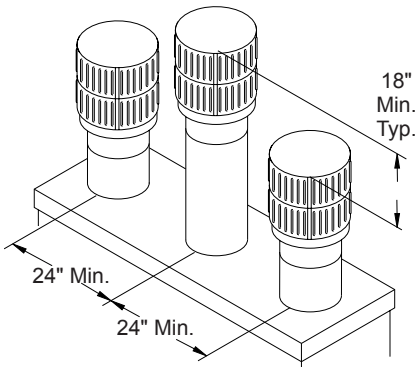


Figure 16 - Multiple Chase Installation

## 10 FOOT RULE

All flue gas outlet chimney terminations must extend a minimum of 3 feet in height above the highest point where it passes through the roof and must be at least 2 feet above the highest point of the roof that is within a horizontal distance of 10 feet (see Figure 17).

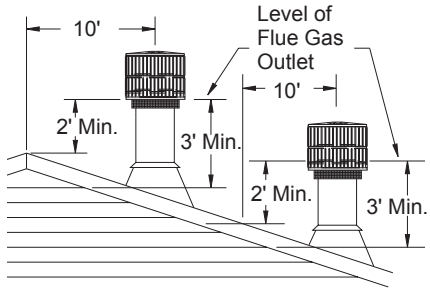


Figure 17 - 10 Foot Rule

## FINISHING FIREPLACE

Combustible materials, such as wallboard, gypsum board, sheet rock, drywall, plywood, etc. may make direct contact with sides and top around the fireplace face. It is important that combustible materials do not overlap the face itself. Brick, glass, tile or other noncombustible materials may overlap the front face provided they do not obstruct essential openings like louvered slots or any other opening. When overlapping with a noncombustible facing material, use only noncombustible mortar or adhesive.

# VENTING INSTALLATION

Continued

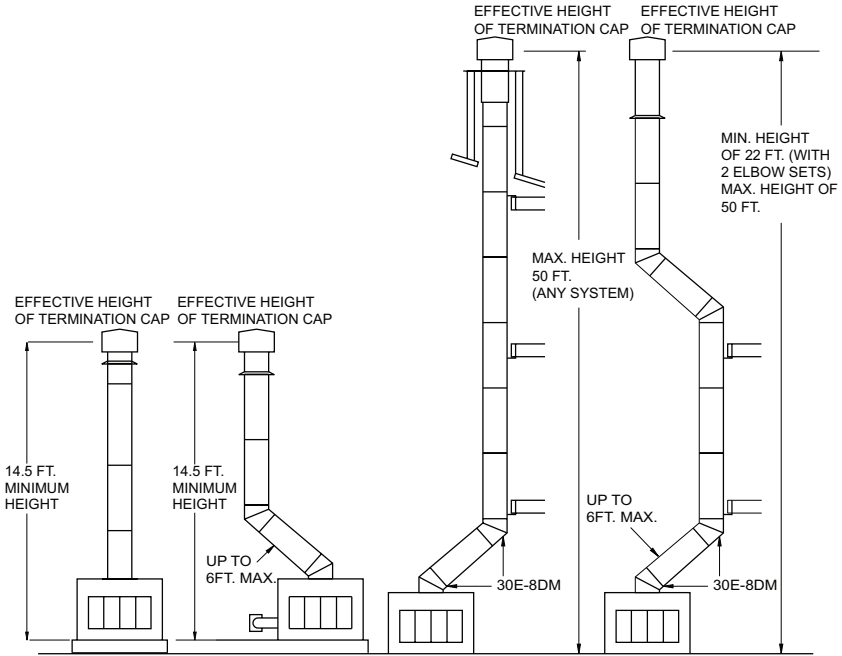


Figure 18 - Typical Residential Installations

## OPTIONAL GAS LINE INSTALLATION

Gas line hook up should be done by your supplier or a qualified service person.

Note: Before you proceed, make sure your gas supply is turned off.

Use only a 1/2" black iron pipe and appropriate fittings.

1. Remove knockout indentation on refractory or firebrick wall located above the refractory hearth floor. The knockout indentation must be firmly tapped with any solid object such as a 1/2" dowel until it is released. Remove fragmented portions of refractory (see Figure 19).
2. Remove gas line cover plate located on either side of fireplace and pull out insulation from gas line conduit sleeve. Save insulation for reuse. Replace screws.
3. Run a 1/2" black iron gas line into the fireplace through the rear at gas line conduit sleeve (if using a raised platform, add height). Provide sufficient gas line into fireplace chamber for fitting connection

(see Figure 20, page 12). Note: Secure incoming gas line to wood framing to provide rigidity to threaded end.

4. Repack insulation around gas line and into sleeve opening. Seal any gaps between gas line and refractory knockout hole with refractory cement or commercial furnace cement. Install the gas appliance or cap-off gas line if desired.

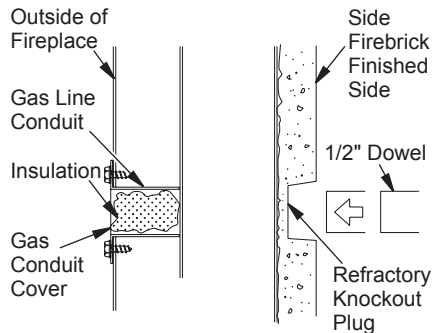


Figure 19 - Gas Line Knockout

## OPTIONAL GAS LINE INSTALLATION

Continued

**⚠ CAUTION:** All gas piping and connections must be tested for leaks after the installation is completed. After ensuring that the gas valve is on, apply soap and water solution to all connections and joints. Bubbles forming show a leak. Correct all leaks at once. **DO NOT USE AN OPEN FLAME FOR LEAK TESTING AND DO NOT OPERATE ANY APPLIANCE IF A LEAK IS DETECTED. LEAK TESTING SHOULD BE DONE BY A QUALIFIED SERVICE PERSON.**

Note: A FMI PRODUCTS, LLC hood must be installed when using an unvented gas log set (see *Accessories* on page 16).

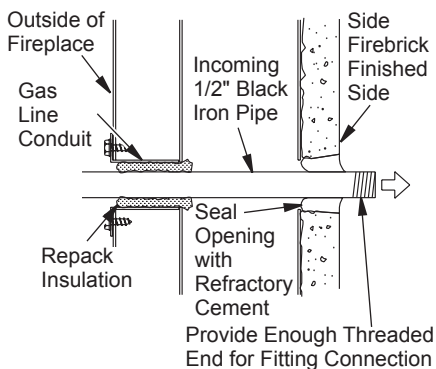


Figure 20 - Gas Line Installation

**⚠ WARNING:** Do not operate an unvented gas log set in this fireplace with the chimney removed.

If you install a decorative gas appliance (vented gas log), the decorative gas appliance must comply with the *Standard for Decorative Gas Appliance for Installation in Solid Fuel Burning Fireplaces, ANS Z21.60, Z21.84* and shall also be installed in accordance with the *National Fuel Gas Code, ANSI 7223NFPA 54 latest edition.*

**⚠ WARNING:** To avoid the risk of damaging the fireplace materials and increasing the risk of spreading a fire, do not use the fireplace to cook or warm food.

**⚠ WARNING:** If the fireplace has been used for wood burning, the firebox and chimney must be cleaned of soot, creosote and ashes by a qualified chimney cleaner. Creosote will ignite if heavily heated.

**⚠ WARNING:** When using a decorative vented gas log, the damper must be removed or permanently locked in the fully open position and the glass doors must be in the fully open position.

## OPERATION AND MAINTENANCE GUIDELINES

### GLASS DOORS

Glass doors are optional with the fireplace. When the fireplace is in operation, doors must be fully opened or fully closed position only or a fire hazard may be created (see Figure 21).

A fireplace equipped with glass doors operates much differently than a fireplace with an open front. A fireplace with glass doors has a limited amount of air for combustion. Excessive heat within the fireplace can result if too large a fire is built or if the combustion air gate is not completely open.

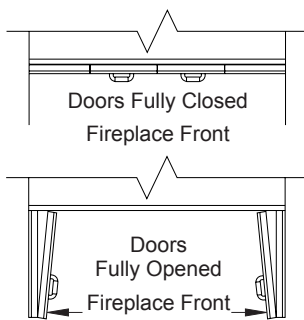


Figure 21 - Glass Doors

# OPERATION AND MAINTENANCE GUIDELINES

## Continued

The following tips should be followed to assure that both the fireplace and the glass door retain their beauty and function properly. Both the flue damper and the glass doors must be fully opened before starting the fire. This will provide sufficient combustion air and maintain safe temperatures in the firebox.

**IMPORTANT:** The glass must be allowed to warm slowly and evenly. The tempered glass will withstand a gradual temperature rise to 550° F, which is more than a normal fire will generate. Such materials as pitch/wax laden logs, very dry mill end lumber and large amounts of paper or cardboard boxes can create an excessively hot fire and should not be burned in this fireplace. Always keep the fire well back from the doors and never allow flames to contact the glass.

**⚠ WARNING: Fireplaces equipped with glass doors should be operated only with doors fully opened or doors fully closed. Doors, if left partly open, may draw gas and flame out of the fireplace opening creating risks of both fire and smoke.**

### Cleaning the Glass

Clean the glass with any commercial glass cleaner or soap and water. Do not use any abrasive material to clean the glass. Do not clean the glass with any cool water if the glass is still hot from the fire and smoke.

A gas line or gas log lighter may be installed for the purpose of installing a vented or vent-free decorative gas appliance incorporating an automatic shutoff device and complying with the *Standard for Decorative Gas Appliances for Installation in Vented Fireplaces, ANSI Z21.60* or *American Gas Association draft requirements for Gas Fired Log Lighters for Wood Burning Fireplaces, Draft NO. 4* dated August, 1993.

If you wish to install an unvented (vent-free) gas log set, only unvented gas log sets which have been found to comply with the standard for unvented room heaters, ANSI Z21.11.2 are to be installed in this fireplace.

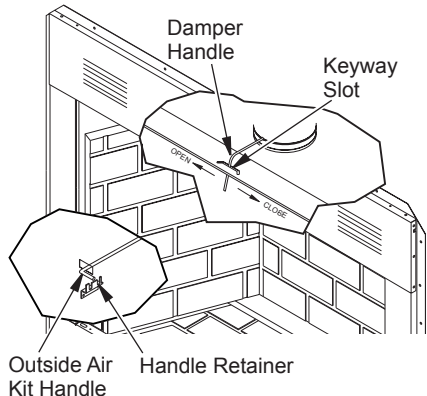
### OUTSIDE AIR AND DAMPER HANDLE OPERATION

The damper handle, which opens and closes the damper blade, is located in the upper front face of the fireplace. Pushing the handle to the left of the keyway slot will free the damper blade to automatically open. Pushing the handle in to the right will lock the damper blade closed (see Figure 22).

The outside air kit handle is located at the left hand side of the fireplace (see Figure 22). Pulling the handle out will free the outside air door to open. Pushing the handle in will lock the door closed.

**⚠ WARNING: Risk of fire! Replace grate with FMI PRODUCTS, LLC model 111100-01 only. This grate has been designed to keep the operation of your fireplace safe and efficient.**

For further operating guidelines, instructions and warranty information, please refer to your homeowner's guide or contact your authorized dealer.

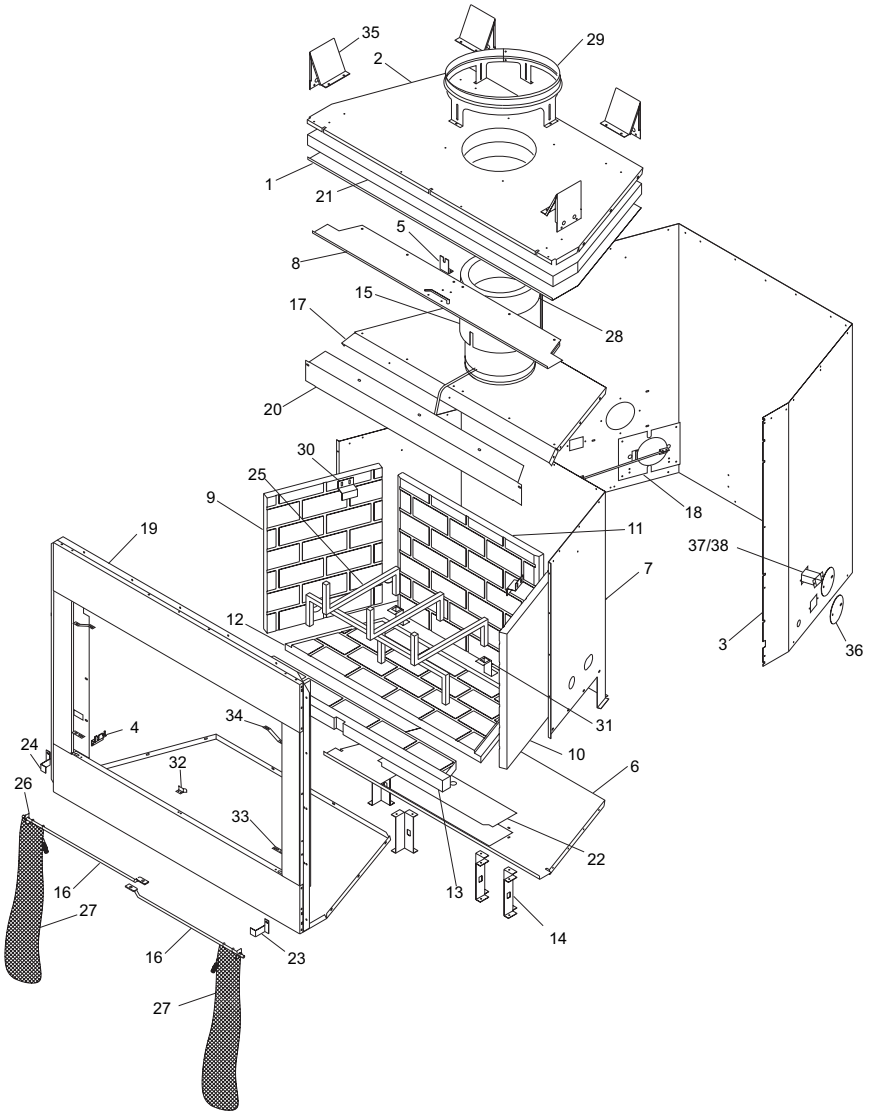


**Figure 22 - Damper and Air Kit Handle**

# PARTS

## WOOD BURNING FIREPLACE MODELS

S42, S42H, S42R, S42RH, VS42, VS42H, VS42R AND VS42RH



## PARTS

### WOOD BURNING FIREPLACE MODELS S42, S42H, S42R, S42RH, VS42, VS42H, VS42R AND VS42RH

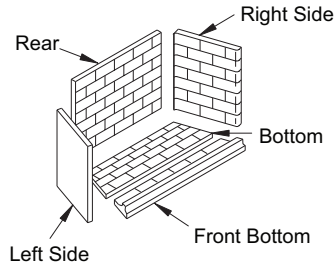
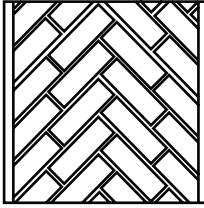
This list contains replaceable parts used in your fireplace.

KEY			
NO.	PART NO.	DESCRIPTION	QTY.
1	107797-01	Insulation Pan	1
2	**	Fireplace Top	1
3	107800-01	Fireplace Surround	1
4	106642-01	Air Rod Retainer	1
5	106643-01	Damper Rod Retainer	1
6	**	Firebox Bottom	1
7	**	Firebox Surround	1
8	**	Air Separator	1
9	See Below	Left Refractory	1
10	See Below	Right Refractory	1
11	See Below	Rear Refractory	1
12	See Below	Bottom Rear Refractory	1
13	See Below	Bottom Front Refractory	1
14	106683-01	Firebox Support Leg	4
15	**	Damper Can Collar	1
16	107839-01	Screen Rod	2
17	**	Firebox Top Assembly	1
18	106703-01	Air Kit Door Assembly	1
19	**	Face Weldment	1
20	110892-02	Air Deflector	1
21	111327-02	Fireplace Top Insulation	1
22	**	Access Panel	1
23	107854-01	Right Refractory Bracket	1
24	107854-02	Left Refractory Bracket	1
25	111100-01	Grate	1
26	11418	Push-On Nut	2
27	110891-01	Stainless Screen	2
28	**	Collar Insulation	1
29	20023	Chimney Starter Collar	1
30	20027	Refractory Retainer	2
31	106539-02	Grate Retainer	2
32	111073-01	Door Stop	1
33	111204-01	Pivot Clip	2
34	20090	Spring Clip	2
35	20280	Top Spacer	4
36	21171	Conduit Plate Cover	4
37	21379	Gas Conduit	2
38	21380	Gas Conduit	2
<b>PARTS AVAILABLE NOT SHOWN</b>			
	106625-01	Home Owner's Guide	1
	20093	Ember Protector	2

\*\* Not a field replaceable part

## PARTS

### WOOD BURNING FIREPLACE MODELS S42, S42H, S42R, S42RH, VS42, VS42H, VS42R AND VS42RH



#### REFRACTORY BRICK

##### KEY

##### NO. PART NO. DESCRIPTION

NO.	PART NO.	DESCRIPTION	S42	S42H	S42R	S42RH	VS42	VS42H	VS42R	VS42RH	QTY.
9	107812-03	Left Refractory, Textured White Brick	•								1
	108169-03	Left Refractory, Textured White Herringbone		•							1
	107812-02	Left Refractory, Textured Red Brick			•				•		1
	108169-02	Left Refractory, Textured Red Herringbone				•				•	1
	107812-01	Left Refractory, Smooth White Brick					•				1
	108169-01	Left Refractory, Smooth White Herringbone						•			1
10	107814-03	Right Refractory, Textured White Brick	•								1
	108170-03	Right Refractory, Textured White Herringbone		•							1
	107814-02	Right Refractory, Textured Red Brick			•				•		1
	108170-02	Right Refractory, Textured Red Herringbone				•				•	1
	107814-01	Right Refractory, Smooth White Brick					•				1
	108170-01	Right Refractory, Smooth White Herringbone						•			1
11	107816-03	Rear Refractory, Textured White Brick	•								1
	108171-03	Rear Refractory, Textured White Herringbone		•							1
	107816-02	Rear Refractory, Textured Red Brick			•				•		1
	108171-02	Rear Refractory, Textured Red Herringbone				•				•	1
	107816-01	Rear Refractory, Smooth White Brick					•				1
	108171-01	Rear Refractory, Smooth White Herringbone						•			1
12	111091-01	Bottom Rear Refractory, White Brick	•	•			•	•			1
	111091-02	Bottom Rear Refractory, Red Brick			•	•			•	•	1
13	111092-01	Bottom Front Refractory, White Brick	•	•			•	•			1
	111092-02	Bottom Front Refractory, Red Brick			•	•			•	•	1



## TECHNICAL SERVICE

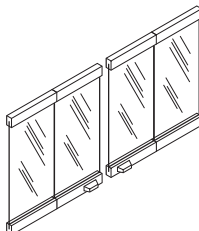
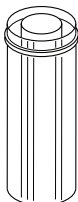
You may have further questions about installation, operation, or troubleshooting. If so, contact FMI PRODUCTS, LLC at 1-866-328-4537. When calling please have your model and serial numbers of your heater ready.

You can also visit FMI PRODUCTS, LLC's web site at [www.fmiproducts.com](http://www.fmiproducts.com).

## ACCESSORIES

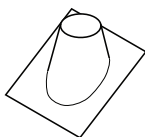
### DOUBLE WALL PIPE

12-8DM 12-8HT  
18-8DM 18-8HT  
24-8DM 24-8HT  
36-8DM 36-8HT  
48-8DM 48-8HT



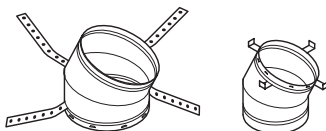
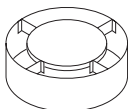
### BI-FOLD GLASS DOOR

BDO42 - Black  
BDO42B - Brushed Brass  
BDO42P - Platinum



### ROOF FLASHING

0 TO 6/12 PITCH - V6F-8DM  
6/12 TO 12/12 PITCH - V12F-8DM

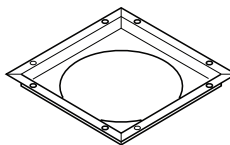
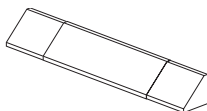


### 30° OFFSET AND RETURN

30E-8DM

### ANTI-DRAFT SHIELD

(Round Top Termination Only)  
ADS-8DM



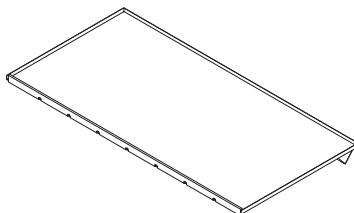
### FIRESTOP SPACER

FS-8DM

### HOOD

STAINLESS STEEL - HS42

Required when installing a vent-free gas log in this fireplace.

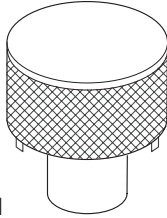


### DRAIN PAN DP42

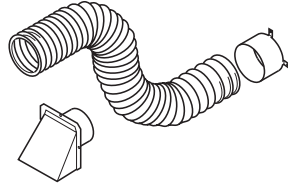
## ACCESSORIES

*Continued*

**ROUND TOP  
TERMINATIONS  
RT-8DM, RTL-8DM**

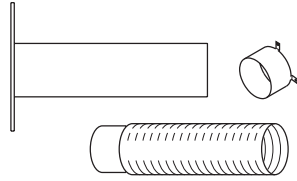
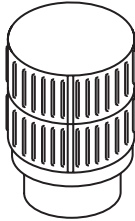


**ROUND TOP  
TERMINATIONS  
WITH SLIP SECTION  
RTT-8DM, RTTL-8DM**



**OUTSIDE AIR KIT FOR SIDE WALL  
INSTALLATION - AK4**

**ROUND TOP  
TERMINATIONS  
WITH LOUVERS  
RTL-8DM**

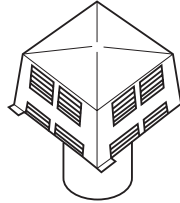


**OUTSIDE AIR KIT FOR FLOOR  
INSTALLATION - AK4F**



**STORM COLLAR**

SC1-1 For RT-8DM and RTL-8DM  
SC2-1 For RTT-8DM and RTTL-8DM



**SQUARE CHASE-TOP  
TERMINATION**

ET-8DM, ETO-8DM

**ECONO-TOP TERMINATION WITH  
SLIP SECTION**

ETL-8DM, ETLO-8DM





**FMI PRODUCTS, LLC**

2701 S. Harbor Blvd.

Santa Ana, CA 92704

1-866-328-4537

**[www.fmiproducts.com](http://www.fmiproducts.com)**

111099-01

Rev. J

02/10