



COVE



ZERO CLEARANCE DIRECT VENT GAS FIREPLACE

 marquis
COLLECTION | by Kingsman

EVOLUTIONARY STYLE. REVOLUTIONARY FLEXIBILITY.

Unit Illustrated is a MQZDV4634N Zero Clearance Direct Vent Gas Fireplace - Natural Gas, MQLOGF46 Fiber Split Oak Log Set, and MQ46RLT Traditional Brick Liner.

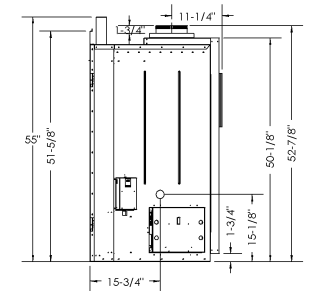
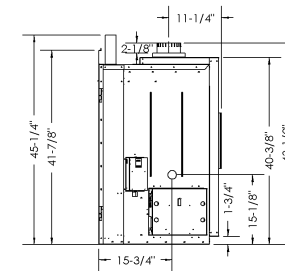
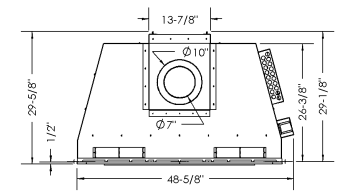
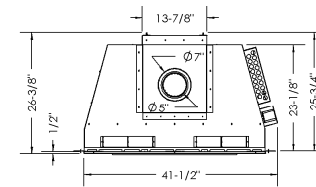
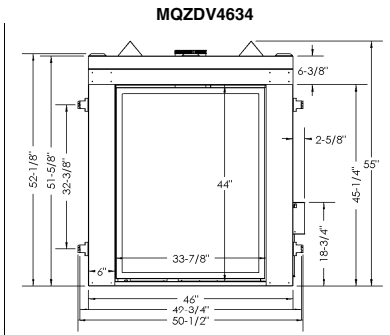
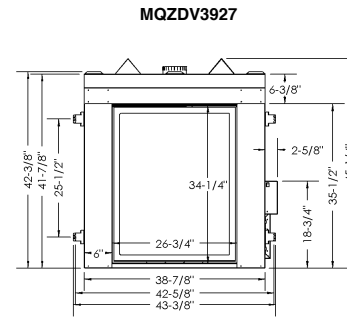
Give a
**WARM
WELCOME**

Grand in style and stature, the new
COVE makes a contemporary
statement in any home.



ROCK SUPPORT PLATFORM
MQROCK3

FIREPLACE GENERAL DIMENSIONS



DECORATIVE EMBER GLASS



BRONZE 1/2" GLASS
MQG5C



WHITE 1/2" GLASS
MQG5W



AZURIA 1/2" GLASS
MQG5A

Model	MQZDV3927N	MQZDV3927LP	MQZDV4634N	MQZDV4634LP
	MQZDV3927NE	MQZDV3927LPE	MQZDV4634NE	MQZDV4634LPE
Fuel	Natural Gas	Propane	Natural Gas	Propane
Input High	42,500 BTU	40,500 BTU	59,000 BTU	55,500 BTU
Input Low	29,000 BTU	32,000 BTU	40,500 BTU	44,000 BTU
FE (P4.1-02)	70.6%/72.87%	70.6%/72.87%	54.4%/56.1%	54.4%/56.1%
Viewing Area	26 3/4" W x 34 1/4" H		33 7/8" W x 44" H	
Venting	5/7" Kingsman Flex or 5/8" with Adapter		7/10" Kingsman Flex Vent	

STANDARD FEATURES

- > SIT Valve with Hi/Lo Flame and BTU Adjustment
- > Accent Lighting

OPTIONAL FEATURES

Choice of Millivolt or IPI electronic ignition system with battery backup, and cold climate switch

Log Set – Fiber Split Oak

Glass or Rock Tray Support Platform

Rock Sets – Contemporary Collection in Natural, or Multi-Colored

Decorative Glass – White, Blue, or Bronze

Porcelain Panels or choice of Brick Liners

Remote Controls – On/Off, Thermostat, Modulating and Fan/Light Control Module

Fan Kit - Heat activated with variable speed control.

Thermostat - Wall mount or Programmable.

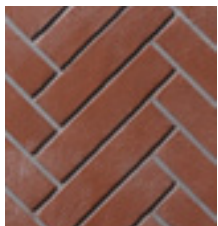


BRICK LINER OPTIONS



HERRINGBONE

MQ39RLH, MQ46RLH



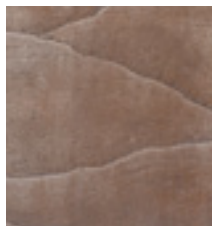
HERRINGBONE RED

MQ39RRH, MQ46RRH



TRADITIONAL

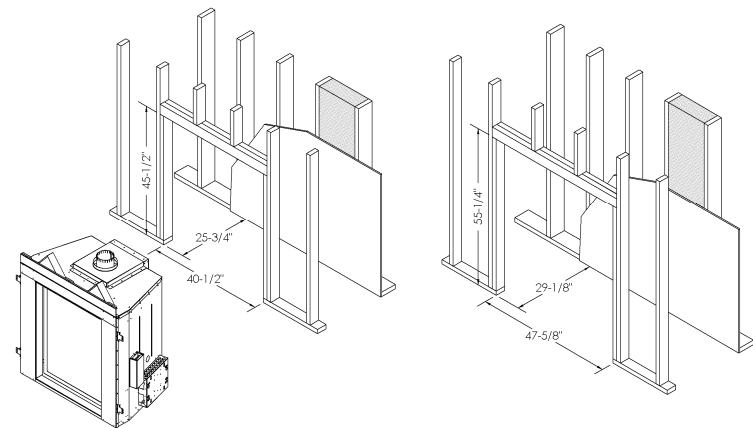
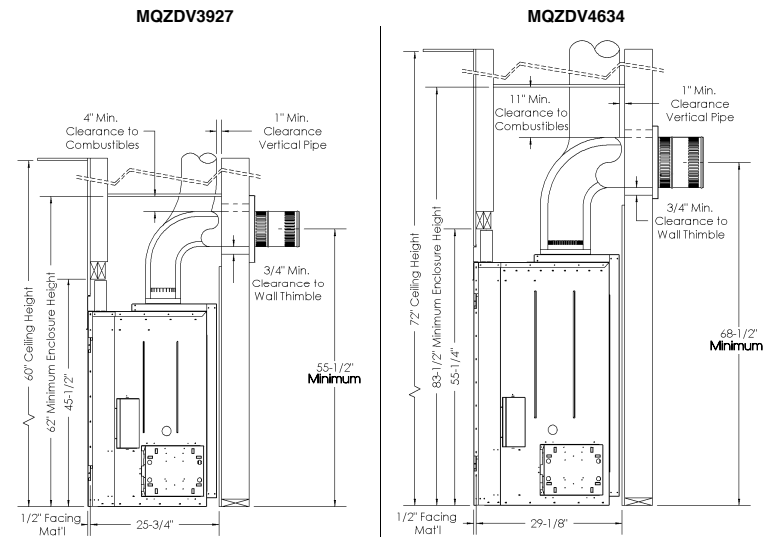
MQ39RLT, MQ46RLT



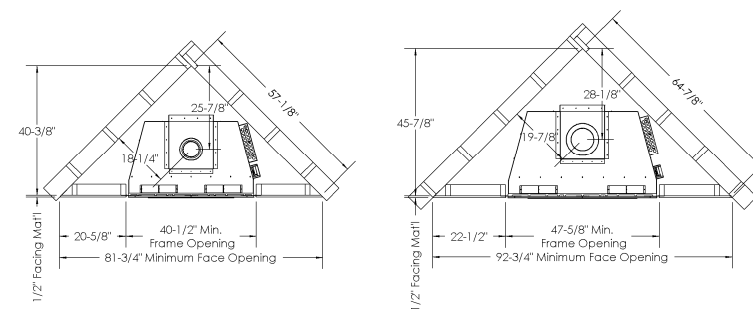
SANDSTONE

MQ39RLS, MQ46RLS

FRAMING YOUR GAS FIREPLACE



CORNER FRAME DIMENSIONS





C O V E

 **marquis**
COLLECTION | by Kingsman

2340 Logan Avenue
Winnipeg, Manitoba, Canada R2R 2V3
Phone: 204.632.1962 Fax: 204.632.1960
www.marquisfireplaces.net



Kingsman Fireplaces maintains a program of continuous testing refinement and improvements of all its products. Some aspect of units shown here may be changed at any time without notice or obligation.

Certification: The models MQZDV3927N, MQZDV3927LP, MQZDV3927NE, MQZDV3927LPE are certified as a Vented Gas Fireplace Heater ANSI Z21.88-2009, CSA 2.33-2009, CGA 2.17-M91. The models MQZDV4634N, MQZDV4634LP, MQZDV4634NE, MQZDV4634LPE are certified as a Vented Gas Fireplace ANSI Z21.50b-2009, CSA 2.22b-2009, CGA 2.17-M91.

B071 - 10/09