



SKYLINE



ZERO CLEARANCE DIRECT VENT GAS FIREPLACE

 marquis  
COLLECTION by Kingsman

EVOLUTIONARY STYLE. REVOLUTIONARY FLEXIBILITY.

Unit Illustrated is a MQRB4236N Zero Clearance Direct Vent Fireplace - Natural Gas, HB42CVCK Designer Clean View Circulating Kit, MQHB42SWCVPW Convex Pewter Wall Surround, MQRB42PL Porcelain Reflective Panels, and MQRB42PB Porcelain Reflective Bottom.

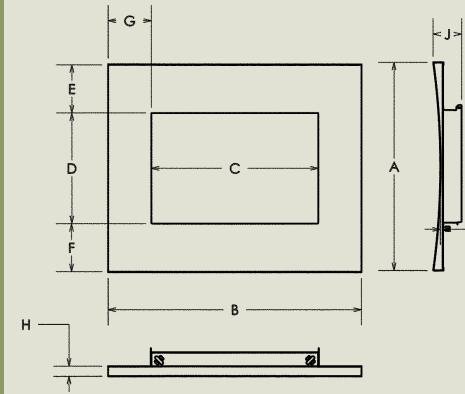




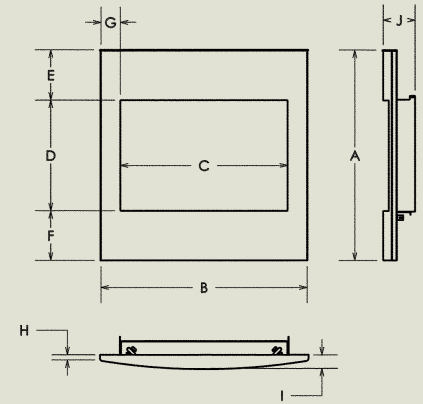
# Enjoy the **VIEW**

There is nothing subtle about this Skyline. It's pure sophistication that makes a statement with wide-view appeal and flexibility. Choose from the rock set, sand or rocks and driftwood for a sleek contemporary look.

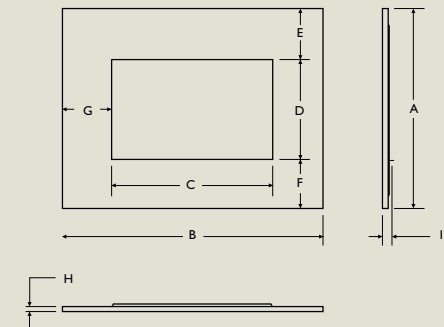
CONCAVE



CONVEX



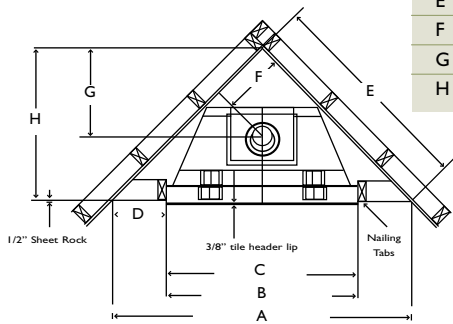
FLATT



Model	MQRB3328N	MQRB3328LP	MQRB4236N	MQRB4236LPT	MQRB4236NT	MQRB4236LP	MQRB3632N	MQRB3632LP
Fuel	Natural	Propane	Natural	Propane	Natural	Propane	Natural	Propane
Input Max.	25,000 BTU	25,000 BTU	30,500 BTU	24,000	24,000	30,000 BTU	30,000 BTU	30,000 BTU
Input Min.	17,000 BTU	20,000 BTU	20,500 BTU	19,000	18,000	23,000 BTU	20,500 BTU	25,000 BTU
Output Max.	17,750 BTU	18,500 BTU	22,875 BTU	—	—	21,750 BTU	—	—
Efficiency	71%	74%	75%	—	—	75%	—	—
FE (P.4.1-02)	56%	56%	56.8%	46%	44.7%	56.8%	57.7%	54.7%

**DESIGNER CLEAN VIEW  
CIRCULATING KIT (CVCK)**

Corner Framing Dimensions (inches)



	MQRB3328	MQRB4236
A	63 <sup>1</sup> / <sub>8</sub> "	63 <sup>13</sup> / <sub>16</sub> "
B	33 <sup>7</sup> / <sub>8</sub> "	42 <sup>7</sup> / <sub>16</sub> "
C	33 <sup>9</sup> / <sub>16</sub> "	42 <sup>1</sup> / <sub>16</sub> "
D	14 <sup>5</sup> / <sub>8</sub> "	10 <sup>11</sup> / <sub>16</sub> "
E	44 <sup>5</sup> / <sub>8</sub> "	45 <sup>1</sup> / <sub>8</sub> "
F	13 <sup>7</sup> / <sub>8</sub> "	13 <sup>3</sup> / <sub>4</sub> "
G	19 <sup>5</sup> / <sub>8</sub> "	19 <sup>1</sup> / <sub>2</sub> "
H	31 <sup>9</sup> / <sub>16</sub> "	31 <sup>7</sup> / <sub>8</sub> "

Top Flue Model	Width	Height
<b>VIEWING AREA</b>		
MQRB3328	25 <sup>1</sup> / <sub>2</sub> "	14 <sup>5</sup> / <sub>16</sub> "
MQRB3632	29 <sup>3</sup> / <sub>4</sub> "	16 <sup>1</sup> / <sub>8</sub> "
MQRB4236	33 <sup>3</sup> / <sub>8</sub> "	20 <sup>3</sup> / <sub>8</sub> "

Top Flue Model	Height		Front Width		Depth	
	Actual	Framing	Actual	Framing	Actual	Framing
<b>CLEAN VIEW CIRCULATING KIT (CVCK)</b>						
MQRB3328	33 <sup>3</sup> / <sub>8</sub> "	38 <sup>3</sup> / <sub>8</sub> "	33 <sup>5</sup> / <sub>16</sub> "	33 <sup>7</sup> / <sub>8</sub> "	16 <sup>7</sup> / <sub>16</sub> "	16 <sup>9</sup> / <sub>16</sub> "
MQRB4236	36 <sup>13</sup> / <sub>16</sub> "	43"	42 <sup>1</sup> / <sub>16</sub> "	42 <sup>7</sup> / <sub>16</sub> "	18 <sup>15</sup> / <sub>16</sub> "	19 <sup>1</sup> / <sub>2</sub> "

Concave	A	B	C	D	E	F	G	H	I	J	L
MQRB42	42 <sup>11</sup> / <sub>16</sub> "	55 <sup>3</sup> / <sub>8</sub> "	36 <sup>3</sup> / <sub>8</sub> "	23 <sup>11</sup> / <sub>16</sub> "	9 <sup>1</sup> / <sub>2</sub> "	9 <sup>1</sup> / <sub>2</sub> "	9 <sup>1</sup> / <sub>2</sub> "	2"	1 <sup>1</sup> / <sub>2</sub> "	5 <sup>1</sup> / <sub>2</sub> "	36 <sup>3</sup> / <sub>8</sub> "

Convex	A	B	C	D	E	F	G	H	I	J	L
MQRB42	42 <sup>7</sup> / <sub>8</sub> "	44 <sup>1</sup> / <sub>3</sub> "	36 <sup>3</sup> / <sub>8</sub> "	23 <sup>3</sup> / <sub>4</sub> "	9 <sup>1</sup> / <sub>2</sub> "	9 <sup>1</sup> / <sub>2</sub> "	4"	13 <sup>1</sup> / <sub>16</sub> "	3 <sup>1</sup> / <sub>8</sub> "	6 <sup>3</sup> / <sub>8</sub> "	36 <sup>3</sup> / <sub>8</sub> "

Flatt	A	B	C	D	E	F	G	H	I
MQRB33	35 <sup>5</sup> / <sub>16</sub> "	45 <sup>13</sup> / <sub>16</sub> "	28 <sup>3</sup> / <sub>8</sub> "	17 <sup>13</sup> / <sub>16</sub> "	8 <sup>3</sup> / <sub>4</sub> "	8 <sup>3</sup> / <sub>4</sub> "	8 <sup>3</sup> / <sub>4</sub> "	1"	13 <sup>3</sup> / <sub>16</sub> "
MQRB36	37 <sup>5</sup> / <sub>32</sub> "	50 <sup>5</sup> / <sub>16</sub> "	32 <sup>15</sup> / <sub>16</sub> "	19 <sup>5</sup> / <sub>8</sub> "	8 <sup>3</sup> / <sub>4</sub> "	8 <sup>3</sup> / <sub>4</sub> "	8 <sup>3</sup> / <sub>4</sub> "	1"	13 <sup>1</sup> / <sub>16</sub> "

**STANDARD FEATURES**

- > Hi/low Millivolt valve with variable adjustment of flame and BTU.
- > A flame sensor that constantly monitors the pilot flame and provides 100% gas shut off if pilot is not sensed.

**OPTIONAL FEATURES**

- Designer Clean View Circulating Kit – No Louvers Required
- Fan Kit – Heat activated with variable speed control
- Thermostat – Wall Mount Millivolt Thermostat or Programmable Thermostat
- Remote Control – On/Off, Thermostat On/Off, Hi/Lo On/Off
- Child Safety Screen
- Wall Surrounds – Convex, Concave and Flatt with Black or Pewter finishes
- Wall Surrounds Accents – Flatt
  - > Keystone – Brushed Chrome or Black
  - > Designer Band Accents – 4 x Black (sml), 2 x Chrome (lrg)
  - > Designer Corner Accents – 4 x Black

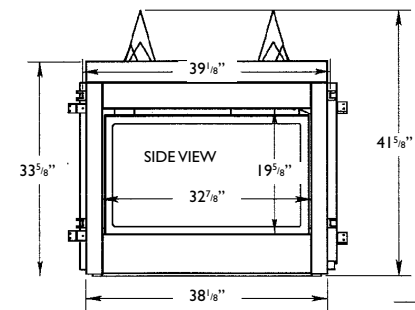
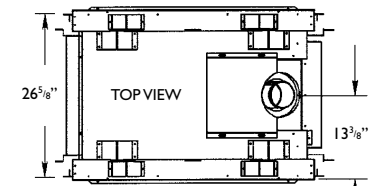
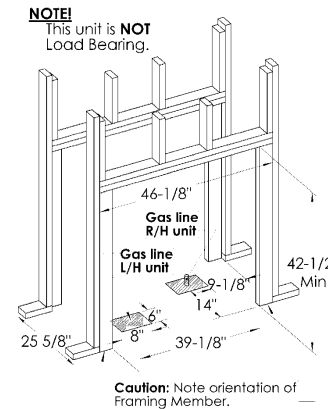


Log Set, Driftwood & Rock Kit or Contemporary Rock Collection

Porcelain Reflective Liners

**DESIGNER CLEAN VIEW SEE-THROUGH UNIT (MQRB3632)**

Consult Manual for Framing Instructions







S K Y L I N E



2340 Logan Avenue  
Winnipeg, Manitoba, Canada R2R 2V3  
Phone: 204.632.1962 Fax: 204.632.1960  
[www.marquisfireplaces.net](http://www.marquisfireplaces.net)



Kingsman Fireplaces maintains a program of continuous testing refinement and improvements of all its products. Some aspect of units shown here may be changed at any time without notice or obligation.  
Certification: MQRB3328, MQRB4236N, and MQRB4236LP are Certified to ANSI Z21.88b-2008, CSA 2.33b-2008, CGA 2.17-M91 Vented Gas Fireplace Heater, MQRB3632, MQRB4236NT, MQRB4236LPT are Certified to ANSI Z21.50a-2008, CSA 2.22a-2008, CGA 2.17-M91 Vented Gas Fireplace.

B063 - 09/09