

# VAIL MANTEL ASSEMBLY INSTRUCTIONS

## EMF-22 & EMC-22 MANTELS

12396

EFFECTIVE DATE SEPTEMBER, 2002

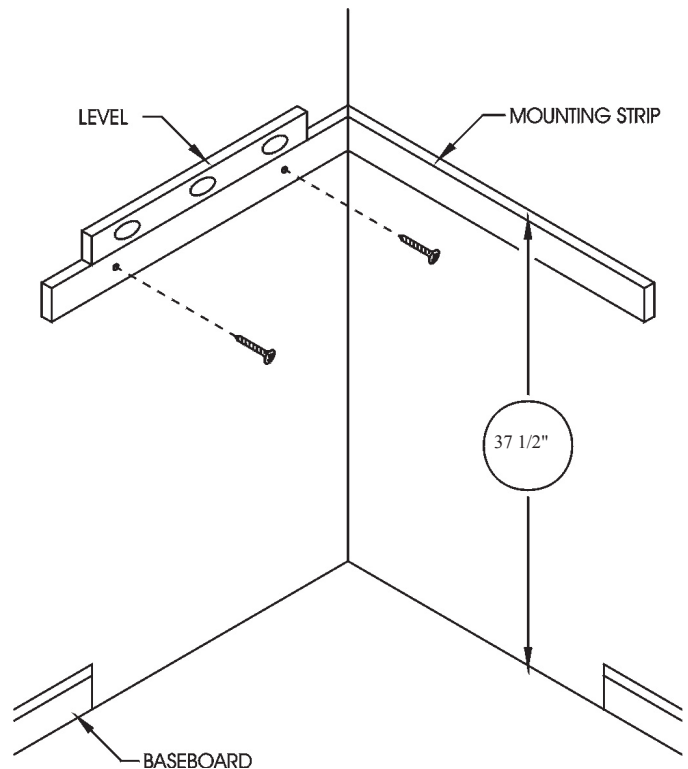
INSTRUCTIONS MUST BE LEFT WITH THE OWNER FOR FUTURE REFERENCE AFTER INSTALLATION.

### Full Mantel

1. Place base adjacent to gas inlet supply.
2. Install fireplace on to base and connect gas line.
3. Insert mantel sides to mantel base.
4. Use four (4) 1-1/4" wood screws, two (2) per side, to attach breastboard to mantel sides.
5. Attach nail flange brackets to top of fireplace with two (2) 10 x 1/2" screws per bracket. Brackets and screws are supplied with fireplace.
6. Place mantel top onto breastboard and mantel sides.
7. Assembly of mantel is completed.

### Corner Mantel

1. Attach corner supports 37-1/2" from floor to top of support with 2-1/4" screws. If necessary wall anchors may be used.
2. Install fireplace on to base and connect gas line.
3. Insert mantel sides to mantel base.
4. Use four (4) 1-1/4" wood screws, two (2) per side, to attach breastboard to mantel sides.
5. Attach nail flange brackets to top of fireplace with two (2) 10 x 1/2" screws per bracket. Brackets and screws are supplied with fireplace.
6. Place mantel top onto breastboard and mantel sides.
7. Assembly of mantel is completed.



22" FULL CABINET MANTEL PARTS LIST

PART NUMBER	PART DESCRIPTION	MANTEL FINISH
12144	BASE	EMF-22C (CHERRY FINISH)
12150	BASE	EMF-22O (OAK FINISH)
12156	BASE	EMF-22W (WHITE FINISH)
12162	BASE	EMF-22UH (UNFINISHED HARDWOOD)
12168	BASE	EMF-22UO (UNFINISHED OAK)
12174	TOP	EMF-22C (CHERRY FINISH)
12179	TOP	EMF-22O (OAK FINISH)
12184	TOP	EMF-22W (WHITE FINISH)
12189	TOP	EMF-22UH (UNFINISHED HARDWOOD)
12194	TOP	EMF-22UO (UNFINISHED OAK)
12199	BREASTBOARD	EMF-22C (CHERRY FINISH)
12203	BREASTBOARD	EMF-22O (OAK FINISH)
12206	BREASTBOARD	EMF-22W (WHITE FINISH)
12209	BREASTBOARD	EMF-22UH (UNFINISHED HARDWOOD)
12212	BREASTBOARD	EMF-22UO (UNFINISHED OAK)
12223	MANTEL SIDE - RIGHT	EMF-22C (CHERRY FINISH)
12230	MANTEL SIDE - LEFT	EMF-22C (CHERRY FINISH)
12231	MANTEL SIDE - RIGHT	EMF-22O (OAK FINISH)
12237	MANTEL SIDE - LEFT	EMF-22O (OAK FINISH)
12238	MANTEL SIDE - RIGHT	EMF-22W (WHITE FINISH)
12244	MANTEL SIDE - LEFT	EMF-22W (WHITE FINISH)
12245	MANTEL SIDE - RIGHT	EMF-22UH (UNFINISHED HARDWOOD)
12251	MANTEL SIDE - LEFT	EMF-22UH (UNFINISHED HARDWOOD)
12252	MANTEL SIDE - RIGHT	EMF-22UO (UNFINISHED OAK)
12258	MANTEL SIDE - LEFT	EMF-22UO (UNFINISHED OAK)
12612	HARDWARE PACKAGE	ALL MANTELS

22" CORNER CABINET MANTEL PARTS LIST

PART NUMBER	PART DESCRIPTION	MANTEL FINISH
12144	BASE	EMC-22C (CHERRY FINISH)
12150	BASE	EMC-22O (OAK FINISH)
12156	BASE	EMC-22W (WHITE FINISH)
12162	BASE	EMC-22UH (UNFINISHED HARDWOOD)
12168	BASE	EMC-22UO (UNFINISHED OAK)
12878	TOP	EMC-22C (CHERRY FINISH)
12883	TOP	EMC-22O (OAK FINISH)
12885	TOP	EMC-22W (WHITE FINISH)
12889	TOP	EMC-22UH (UNFINISHED HARDWOOD)
12884	TOP	EMC-22UO (UNFINISHED OAK)
12199	BREASTBOARD	EMC-22C (CHERRY FINISH)
12203	BREASTBOARD	EMC-22O (OAK FINISH)
12206	BREASTBOARD	EMC-22W (WHITE FINISH)
12209	BREASTBOARD	EMC-22UH (UNFINISHED HARDWOOD)
12212	BREASTBOARD	EMC-22UO (UNFINISHED OAK)
12890	MANTEL SIDE - RIGHT	EMC-22C (CHERRY FINISH)
12478	MANTEL SIDE - LEFT	EMC-22C (CHERRY FINISH)
12895	MANTEL SIDE - RIGHT	EMC-22O (OAK FINISH)
12896	MANTEL SIDE - LEFT	EMC-22O (OAK FINISH)
12897	MANTEL SIDE - RIGHT	EMC-22W (WHITE FINISH)
12900	MANTEL SIDE - LEFT	EMC-22W (WHITE FINISH)
12901	MANTEL SIDE - RIGHT	EMC-22UH (UNFINISHED HARDWOOD)
12902	MANTEL SIDE - LEFT	EMC-22UH (UNFINISHED HARDWOOD)
12903	MANTEL SIDE - RIGHT	EMC-22UO (UNFINISHED OAK)
12904	MANTEL SIDE - LEFT	EMC-22UO (UNFINISHED OAK)
12964	TOP WALL TRIM - RIGHT	EMC-22C (CHERRY FINISH)
12967	TOP WALL TRIM - RIGHT	EMC-22O (OAK FINISH)
12969	TOP WALL TRIM - RIGHT	EMC-22W (WHITE FINISH)
12971	TOP WALL TRIM - RIGHT	EMC-22UH (UNFINISHED HARDWOOD)
12973	TOP WALL TRIM - RIGHT	EMC-22UO (UNFINISHED OAK)
12965	TOP WALL TRIM - LEFT	EMC-22C (CHERRY FINISH)
12968	TOP WALL TRIM - LEFT	EMC-22O (OAK FINISH)
12970	TOP WALL TRIM - LEFT	EMC-22W (WHITE FINISH)
12972	TOP WALL TRIM - LEFT	EMC-22UH (UNFINISHED HARDWOOD)
12974	TOP WALL TRIM - LEFT	EMC-22UO (UNFINISHED OAK)
12966	TOP WALL BRACE (2 REQUIRED)	ALL MANTELS
12768	HARDWARE PACKAGE	ALL MANTELS